



RST®

INSTALL **EFFICIENTLY**

Pluggable electrical installation systems
in highest IP rating.

HELLO WIELAND ELECTRIC


Tradition and innovation - Wieland is representing the synergy of these two guiding principles for more than 100 years.

At Wieland Electric, we are proud to be the world market leader in electrical connections, and have been focusing on safe and innovative technologies since our founding. The beginnings of our success lie in the legendary Wieland Clamp, the first-ever safe electrical connector. Since then, innovation has pushed us to develop safer and more efficient ways to electrify the world.

Expanding from a component-only manufacturer, we are now one of the leading suppliers of innovative, future-oriented, and complete electrical solutions. We divide our focus into two main areas, Building and Industry. Our Building Solutions focus on decentralized power distribution and pluggable connections in all kinds of architectures and infrastructures. From in-store displays and lighting to hospitals and airports, and any structure in between – you build it, we power it! Our Industry Solutions center around functional safety for machines, industrial networking (IIoT and VPN), and power distribution. At Wieland, we keep your productivity going in mechanical engineering, wind power, material handling, HVAC, and many other industries.

We are at our customers' side in every step of the project, right from the start. Our experts offer consulting, on-site services, and technical support. We see ourselves as service providers, trainers and subject-matter experts.


1910
Founded in
Bamberg


1600+
Employees
worldwide


5
Production
sites


70+
Countries
worldwide

CONTENT

RST® MICRO	Introduction – RST08 codings	4
	RST08i2 Plug connectors, device connectors, distributors, cable assemblies, 2-pole	6
	RST08i3 Plug connectors, device connectors, distributors, cable assemblies, 3-pole	12
	RST08i4 Plug connectors, device connectors, distributors, 4-pole	18
	RST08i5 Plug connectors, device connectors, distributors, 5-pole	22
	RST08 Accessories	26
	RST® MINI	Introduction – RST16 codings
RST16i2 Plug connectors, device connectors, distributors, cable assemblies, 2-pole	30	
RST16i3 Plug connectors, device connectors, distributors, cable assemblies, 3-pole	38	
RST16i4 Plug connectors, device connectors, distributors, cable assemblies, 4-pole	48	
RST16i5 Plug connectors, device connectors, distributors, cable assemblies, 5-pole	52	
RST16 Accessories	62	
RST® CLASSIC	Introduction – RST20/25 codings	66
	RST20i2 Plug connectors, device connectors, distributors, cable assemblies, 2-pole	68
	RST20i3 Plug connectors, device connectors, distributors, cable assemblies, 3-pole	82
	RST20i4 Plug connectors, device connectors, distributors, cable assemblies, 4-pole	102
	RST20i5 Plug connectors, device connectors, distributors, cable assemblies, 5-pole	114
	RST20i6 Plug connectors, device connectors, 6-pole	130
	RST20i7 Plug connectors, device connectors, 7-pole	142
	RST25i3 Plug connectors, device connectors, cable assemblies, 3-pole	154
	RST25i5 Plug connectors, device connectors, cable assemblies, 5-pole	160
	RST20/25 Accessories	168
RST® CLASSIC ATEX	Introduction – RST20/25 codings	176
	RST20i2 Plug connectors, device connectors, distributors, 2-pole	178
	RST20i3 Plug connectors, device connectors, distributors, 3-pole	182
	RST20i4 Plug connectors, device connectors, distributors, 4-pole	188
	RST20i5 Plug connectors, device connectors, distributors, 5-pole	192
	RST® POWER	Introduction – RST50 codings
RST50i4 Plug connectors, device connectors, 4-pole	198	
RST50i5 Plug connectors, device connectors, 5-pole	200	
RST50 Accessories	202	
Facts & Data	General notes + Technical data	204
Index		246
General information + contacts		267

Information regarding limits of use, notes, materials used can be found in Facts & Data.

RST® MICRO

RST® MINI

RST® CLASSIC

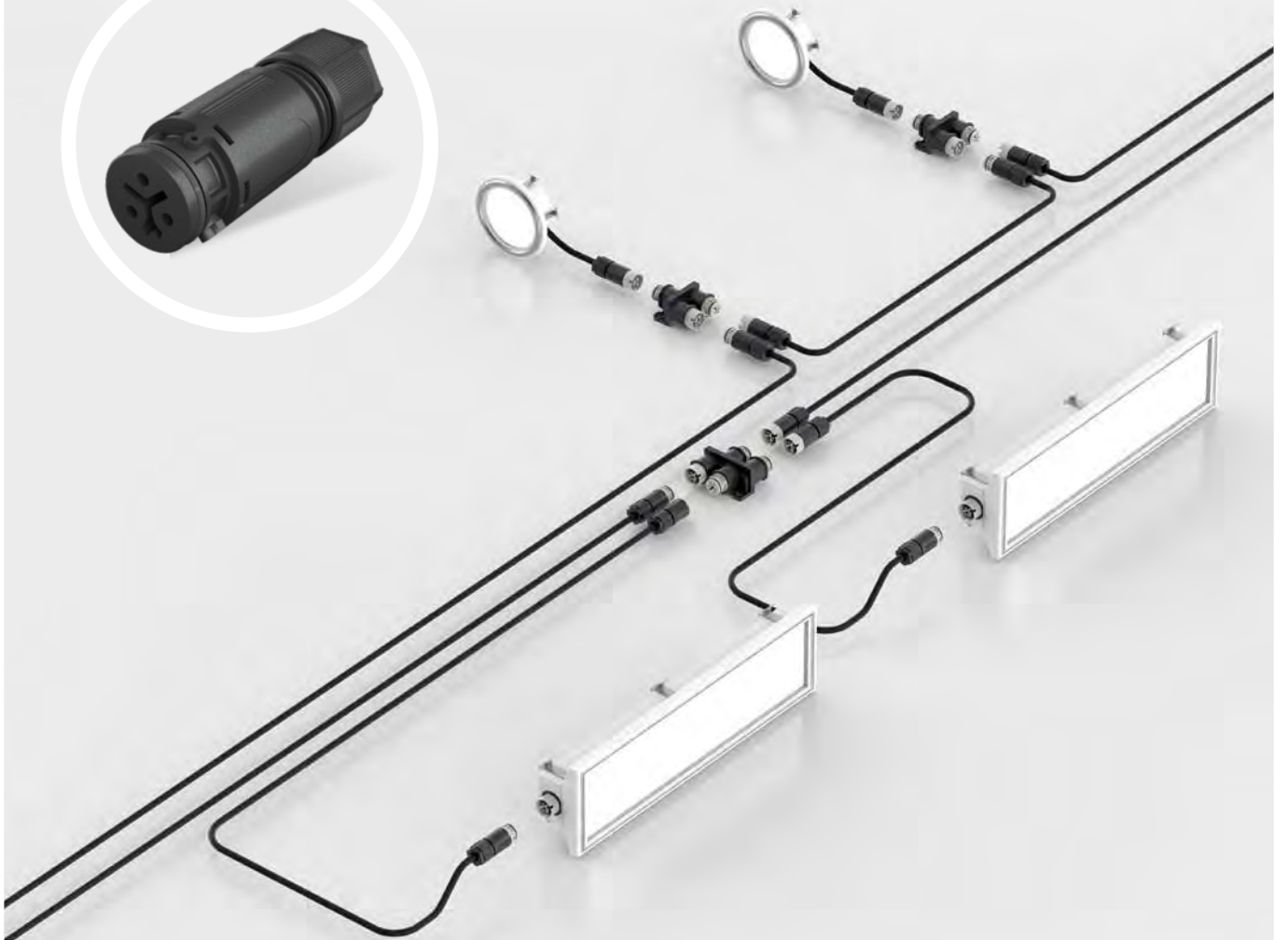
RST® CLASSIC ATEX

RST® POWER



RST[®] MICRO

The miniature connector for LED lamps, signals and mains.



FEATURES

- + 2-pole to 5-pole
- + 8 A rated current
- + Optionally available in the barrier seal version (water stop)
- + Mechanical + color coding

RST08i2



Mechanical coding (view on connector interface female)	black	light blue	slate gray	pebble gray
Operating voltage (application)	250 V	250/400 V	~50/-120 V	~50/-120 V
Marking of poles	1, 2/N	1, 2/N	1, 2	1, 2

RST08i3



Mechanical coding (view on connector interface female)	black	light blue	slate gray	pebble gray
Operating voltage (application)	250 V with PE	250/400 V	~50/-120 V	~50/-120 V with PE
Marking of poles	1, PE, 2/N	1, 2/N, 3	1, 2, 3	1, 2, PE

RST08i4



Mechanical coding (view on connector interface female)	black	light blue	slate gray	pebble gray
Operating voltage (application)	250/400 V with PE	250/400 V	~50/-120 V	~50/-120 V with PE
Marking of poles	1, PE, 2/N, 3	1, 2/N, 3, 4	1, 2, 3, 4	1, 2/N, 3, 4, PE

RST08i5



Mechanical coding (view on connector interface female)	black	light blue	slate gray	pebble gray
Operating voltage (application)	250/400 V with PE	250/400 V	~50/-120 V	~50/-120 V with PE
Marking of poles	1, 2/N, 3, 4, PE	1, 2/N, 3, 4, 5	1, 2, 3, 4, 5	1, 2, 3, 4, PE

RST08I2, CONNECTOR, 2-POLE

SCREW CONNECTION

TECHNICAL DATA

Rated current:	8 A	Cross section fine-stranded:	0,22 mm ² - 1 mm ²
Degree of protection (IP):	IP66/68 (3m;2h) /IP69	Connection cross section solid:	0,2 mm ² - 1 mm ²
Terminations per pole:	1	Additional technical data, see facts & data.	
Lockable:	self-locking (unlocking by hand)		

female



male



straight, for cables Ø 4-7 mm, with longitudinal sealing

female

male

Color of coding	Application	Marking of poles	Art.No.	Art.No.
■ black	250/400 V	1, 2/N	4L.021.3043.1	4L.022.3043.1
■ light blue	250/400 V	1, 2/N	4L.021.3043.9	4L.022.3043.9
■ pebble grey	~50/-120 V	1, 2	4L.021.3041.8	4L.022.3041.8
■ slate grey	~50/-120 V	1, 2	4L.021.3041.4	4L.022.3041.4

female



male



straight, for cables Ø 4-7 mm

female

male

Color of coding	Application	Marking of poles	Art.No.	Art.No.
■ black	250/400 V	1, 2/N	41.021.3043.1	41.022.3043.1
■ light blue	250/400 V	1, 2/N	41.021.3043.9	41.022.3043.9
■ pebble grey	~50/-120 V	1, 2	41.021.3041.8	41.022.3041.8
■ slate grey	~50/-120 V	1, 2	41.021.3041.4	41.022.3041.4

RST08I2, DEVICE CONNECTOR, M14, 2-POLE

SCREW CONNECTION

TECHNICAL DATA

Rated current:	8 A	Cross section fine-stran-	0,22 mm ² - 1 mm ²
Degree of protection (IP):	IP66/68 (3m;2h) /IP69	ded:	
Terminations per pole:	1	Connection cross section	0,2 mm ² - 1 mm ²
Lockable:	self-locking (unlocking by hand)	solid:	
		Additional technical data,	see facts & data.

female



male



standard, straight, with longitudinal sealing

Color of coding	Application	Marking of poles	female Art.No.	male Art.No.
■ black	250/400 V	1, 2/N	4L.021.4043.1	4L.022.4043.1
■ light blue	250/400 V	1, 2/N	4L.021.4043.9	4L.022.4043.9
■ pebble grey	~50/-120 V	1, 2	4L.021.4041.8	4L.022.4041.8
■ slate grey	~50/-120 V	1, 2	4L.021.4041.4	4L.022.4041.4

female



male



standard, straight

Color of coding	Application	Marking of poles	female Art.No.	male Art.No.
■ black	250/400 V	1, 2/N	41.021.4043.1	41.022.4043.1
■ light blue	250/400 V	1, 2/N	41.021.4043.9	41.022.4043.9
■ pebble grey	~50/-120 V	1, 2	41.021.4041.8	41.022.4041.8
■ slate grey	~50/-120 V	1, 2	41.021.4041.4	41.022.4041.4

RST08I2, DISTRIBUTOR, 2-POLE

TECHNICAL DATA

Rated current:	8 A	Lockable:	self-locking (unlocking by hand)
Degree of protection (IP):	IP66/68 (3m;2h) /IP69	Additional technical data, see facts & data.	



distribution block 1I / 20, parallel connection, with fastening option

Color of coding	Application	Marking of poles	Art.No.
■ black	250/400 V	1, 2/N	4L.020.1143.1
■ light blue	250/400 V	1, 2/N	4L.020.1143.9
■ slate grey	~50/-120 V	1, 2	4L.020.1141.4



distribution block 1I / 20, series connection, with fastening option

Color of coding	Application	Marking of poles	Art.No.
■ pebble grey	~50/-120 V	1, 2	4L.020.1241.8



distribution block 1I / 30, parallel connection, with fastening option

Color of coding	Application	Marking of poles	Art.No.
■ black	250/400 V	1, 2/N	4L.020.0143.1
■ light blue	250/400 V	1, 2/N	4L.020.0143.9
■ slate grey	~50/-120 V	1, 2	4L.020.0141.4



distribution block 1I / 30, series connection, with fastening option

Color of coding	Application	Marking of poles	Art.No.
■ pebble grey	~50/-120 V	1, 2	4L.020.0241.8

RST08I2, CABLE ASSEMBLY, 2-POLE

0.75 mm², 6 A



TECHNICAL DATA

Rated current:	6 A	type of construction:	Cable screw gland
Degree of protection (IP):	IP66/68 (3m;2h) /IP69	Additional technical data, see facts & data.	
Lockable:	self-locking (unlocking by hand)		

connecting cable, female - male

H05RN-F halogenated

Cable color:
Color of coding: ■ black
Application: 250/400 V
Marking of poles: 1, 2/N
with longitudinal sealing

Cable color:
Color of coding: ■ black
Application: 250/400 V
Marking of poles: 1, 2/N

Cable color:
Color of coding: ■ light blue
Application: 250/400 V
Marking of poles: 1, 2/N
with longitudinal sealing

Cable color:
Color of coding: ■ light blue
Application: 250/400 V
Marking of poles: 1, 2/N

Cable color:
Color of coding: ■ pebble grey
Application: ~50/-120 V
Marking of poles: 1, 2
with longitudinal sealing

Cable color:
Color of coding: ■ pebble grey
Application: ~50/-120 V
Marking of poles: 1, 2

Cable color:
Color of coding: ■ slate grey
Application: ~50/-120 V
Marking of poles: 1, 2
with longitudinal sealing

Cable color:
Color of coding: ■ slate grey
Application: ~50/-120 V
Marking of poles: 1, 2

Length (m)	Art.No.
	■ black
0.5	4L.427.0530.1
1	4L.427.1030.1
1.5	4L.427.1530.1
2	4L.427.2030.1
2.5	4L.427.2530.1
3	4L.427.3030.1
4	4L.427.4030.1
	■ black
0.5	41.427.0530.1
1	41.427.1030.1
1.5	41.427.1530.1
2	41.427.2030.1
2.5	41.427.2530.1
3	41.427.3030.1
4	41.427.4030.1
	■ black
0.5	4L.427.0530.9
1	4L.427.1030.9
1.5	4L.427.1530.9
2	4L.427.2030.9
2.5	4L.427.2530.9
3	4L.427.3030.9
4	4L.427.4030.9
	■ black
0.5	41.427.0530.9
1	41.427.1030.9
1.5	41.427.1530.9
2	41.427.2030.9
2.5	41.427.2530.9
3	41.427.3030.9
4	41.427.4030.9
	■ black
0.5	4L.427.0532.8
1	4L.427.1032.8
1.5	4L.427.1532.8
2	4L.427.2032.8
2.5	4L.427.2532.8
3	4L.427.3032.8
4	4L.427.4032.8
	■ black
0.5	41.427.0532.8
1	41.427.1032.8
1.5	41.427.1532.8
2	41.427.2032.8
2.5	41.427.2532.8
3	41.427.3032.8
4	41.427.4032.8
	■ black
0.5	4L.427.0532.4
1	4L.427.1032.4
1.5	4L.427.1532.4
2	4L.427.2032.4
2.5	4L.427.2532.4
3	4L.427.3032.4
4	4L.427.4032.4
	■ black
0.5	41.427.0532.4
1	41.427.1032.4
1.5	41.427.1532.4
2	41.427.2032.4
2.5	41.427.2532.4
3	41.427.3032.4
4	41.427.4032.4

RST08I2, CABLE ASSEMBLY, 2-POLE

0.75 mm², 6 A



TECHNICAL DATA

Rated current:	6 A	Preparation of conductor ends:	ultrasonically compressed wire ends
Degree of protection (IP):	IP66/68 (3m;2h) /IP69	type of construction:	Cable screw gland
Lockable:	self-locking (unlocking by hand)	Additional technical data, see facts & data.	

connection cable, female - free end

H05RN-F halogenated

Cable color:
Color of coding: ■ black
Application: 250/400 V
Marking of poles: 1, 2/N
with longitudinal sealing

Cable color:
Color of coding: ■ black
Application: 250/400 V
Marking of poles: 1, 2/N

Cable color:
Color of coding: ■ light blue
Application: 250/400 V
Marking of poles: 1, 2/N
with longitudinal sealing

Cable color:
Color of coding: ■ light blue
Application: 250/400 V
Marking of poles: 1, 2/N

Cable color:
Color of coding: ■ pebble grey
Application: ~50/-120 V
Marking of poles: 1, 2
with longitudinal sealing

Cable color:
Color of coding: ■ pebble grey
Application: ~50/-120 V
Marking of poles: 1, 2

Cable color:
Color of coding: ■ slate grey
Application: ~50/-120 V
Marking of poles: 1, 2
with longitudinal sealing

Cable color:
Color of coding: ■ slate grey
Application: ~50/-120 V
Marking of poles: 1, 2

Length (m)	Art.No.
	■ black
0.5	4L.427.0533.1
1	4L.427.1033.1
1.5	4L.427.1533.1
2	4L.427.2033.1
2.5	4L.427.2533.1
3	4L.427.3033.1
4	4L.427.4033.1
	■ black
0.5	41.427.0533.1
1	41.427.1033.1
1.5	41.427.1533.1
2	41.427.2033.1
2.5	41.427.2533.1
3	41.427.3033.1
4	41.427.4033.1
	■ black
0.5	41.427.0533.9
1	41.427.1033.9
1.5	41.427.1533.9
2	41.427.2033.9
2.5	41.427.2533.9
3	41.427.3033.9
4	41.427.4033.9
	■ black
1	41.427.1033.9
1.5	41.427.1533.9
2	41.427.2033.9
2.5	41.427.2533.9
3	41.427.3033.9
4	41.427.4033.9
	■ black
0.5	4L.427.0537.8
1	4L.427.1037.8
1.5	4L.427.1537.8
2	4L.427.2037.8
2.5	4L.427.2537.8
3	4L.427.3037.8
4	4L.427.4037.8
	■ black
0.5	41.427.0537.8
1	41.427.1037.8
1.5	41.427.1537.8
2	41.427.2037.8
2.5	41.427.2537.8
3	41.427.3037.8
4	41.427.4037.8
	■ black
0.5	4L.427.0537.4
1	4L.427.1037.4
1.5	4L.427.1537.4
2	4L.427.2037.4
2.5	4L.427.2537.4
3	4L.427.3037.4
4	4L.427.4037.4
	■ black
0.5	41.427.0537.4
1	41.427.1037.4
1.5	41.427.1537.4
2	41.427.2037.4
2.5	41.427.2537.4
3	41.427.3037.4
4	41.427.4037.4

RST08I2, CABLE ASSEMBLY, 2-POLE

0.75 mm², 6 A



TECHNICAL DATA

Rated current:	6 A	Preparation of conductor ends:	ultrasonically compressed wire ends
Degree of protection (IP):	IP66/68 (3m;2h) /IP69	type of construction:	Cable screw gland
Lockable:	self-locking (unlocking by hand)	Additional technical data, see facts & data.	

connection cable, male - free end

H05RN-F halogenated

Cable color:
Color of coding: ■ black
Application: 250/400 V
Marking of poles: 1, 2/N
with longitudinal sealing

Cable color:
Color of coding: ■ black
Application: 250/400 V
Marking of poles: 1, 2/N

Cable color:
Color of coding: ■ light blue
Application: 250/400 V
Marking of poles: 1, 2/N
with longitudinal sealing

Cable color:
Color of coding: ■ light blue
Application: 250/400 V
Marking of poles: 1, 2/N

Cable color:
Color of coding: ■ pebble grey
Application: ~50/-120 V
Marking of poles: 1, 2
with longitudinal sealing

Cable color:
Color of coding: ■ pebble grey
Application: ~50/-120 V
Marking of poles: 1, 2

Cable color:
Color of coding: ■ slate grey
Application: ~50/-120 V
Marking of poles: 1, 2
with longitudinal sealing

Cable color:
Color of coding: ■ slate grey
Application: ~50/-120 V
Marking of poles: 1, 2

Length (m)	Art.No.
	■ black
0.5	4L.427.0534.1
1	4L.427.1034.1
1.5	4L.427.1534.1
2	4L.427.2034.1
2.5	4L.427.2534.1
3	4L.427.3034.1
4	4L.427.4034.1
	■ black
0.5	41.427.0534.1
1	41.427.1034.1
1.5	41.427.1534.1
2	41.427.2034.1
2.5	41.427.2534.1
3	41.427.3034.1
4	41.427.4034.1
	■ black
0.5	4L.427.0534.9
1	4L.427.1034.9
1.5	4L.427.1534.9
2	4L.427.2034.9
2.5	4L.427.2534.9
3	4L.427.3034.9
4	4L.427.4034.9
	■ black
0.5	41.427.0534.9
1	41.427.1034.9
1.5	41.427.1534.9
2	41.427.2034.9
2.5	41.427.2534.9
3	41.427.3034.9
4	41.427.4034.9
	■ black
0.5	4L.427.0538.8
1	4L.427.1038.8
1.5	4L.427.1538.8
2	4L.427.2038.8
2.5	4L.427.2538.8
3	4L.427.3038.8
4	4L.427.4038.8
	■ black
0.5	41.427.0538.8
1	41.427.1038.8
1.5	41.427.1538.8
2	41.427.2038.8
2.5	41.427.2538.8
3	41.427.3038.8
4	41.427.4038.8
	■ black
0.5	4L.427.0538.4
1	4L.427.1038.4
1.5	4L.427.1538.4
2	4L.427.2038.4
2.5	4L.427.2538.4
3	4L.427.3038.4
4	4L.427.4038.4
	■ black
0.5	41.427.0538.4
1	41.427.1038.4
1.5	41.427.1538.4
2	41.427.2038.4
2.5	41.427.2538.4
3	41.427.3038.4
4	41.427.4038.4

RST08I3, CONNECTOR, 3-POLE

SCREW CONNECTION

TECHNICAL DATA

Rated current:	8 A	Cross section fine-stranded:	0,22 mm ² - 1 mm ²
Degree of protection (IP):	IP66/68 (3m;2h) /IP69	Connection cross section solid:	0,2 mm ² - 1 mm ²
Terminations per pole:	1	Additional technical data, see facts & data.	
Lockable:	self-locking (unlocking by hand)		

female



male



straight, for cables Ø 4-7 mm, with longitudinal sealing

female

male

Color of coding	Application	Marking of poles	Art.No.	Art.No.
■ black	250/400 V with PE	1, PE, 2/N	4L.031.3053.1	4L.032.3053.1
■ light blue	250/400 V	1, 2/N, 3	4L.031.3043.9	4L.032.3043.9
■ pebble grey	~50/-120 V with PE	1, 2, PE	4L.031.3051.8	4L.032.3051.8
■ slate grey	~50/-120 V	1, 2, 3	4L.031.3041.4	4L.032.3041.4

female



male



straight, for cables Ø 4-7 mm

female

male

Color of coding	Application	Marking of poles	Art.No.	Art.No.
■ black	250/400 V with PE	1, PE, 2/N	41.031.3053.1	41.032.3053.1
■ light blue	250/400 V	1, 2/N, 3	41.031.3043.9	41.032.3043.9
■ pebble grey	~50/-120 V with PE	1, 2, PE	41.031.3051.8	41.032.3051.8
■ slate grey	~50/-120 V	1, 2, 3	41.031.3041.4	41.032.3041.4

RST08I3, DEVICE CONNECTOR, M14, 3-POLE

SCREW CONNECTION

TECHNICAL DATA

Rated current:	8 A	Cross section fine-stranded:	0,22 mm ² - 1 mm ²
Degree of protection (IP):	IP66/68 (3m;2h) /IP69	ded:	
Terminations per pole:	1	Connection cross section solid:	0,2 mm ² - 1 mm ²
Lockable:	self-locking (unlocking by hand)	Additional technical data, see facts & data.	

female

male



standard, straight, with longitudinal sealing

Color of coding	Application	Marking of poles	female Art.No.	male Art.No.
■ black	250/400 V with PE	1, PE, 2/N	4L.031.4053.1	4L.032.4053.1
■ light blue	250/400 V	1, 2/N, 3	4L.031.4043.9	4L.032.4043.9
■ pebble grey	~50/-120 V with PE	1, 2, PE	4L.031.4051.8	4L.032.4051.8
■ slate grey	~50/-120 V	1, 2, 3	4L.031.4041.4	4L.032.4041.4

female

male



standard, straight

Color of coding	Application	Marking of poles	female Art.No.	male Art.No.
■ black	250/400 V with PE	1, PE, 2/N	41.031.4053.1	41.032.4053.1
■ light blue	250/400 V	1, 2/N, 3	41.031.4043.9	41.032.4043.9
■ pebble grey	~50/-120 V with PE	1, 2, PE	41.031.4051.8	41.032.4051.8
■ slate grey	~50/-120 V	1, 2, 3	41.031.4041.4	41.032.4041.4

RST08I3, DISTRIBUTOR, 3-POLE

TECHNICAL DATA

Rated current:	8 A	Lockable:	self-locking (unlocking by hand)
Degree of protection (IP):	IP66/68 (3m;2h) /IP69	Additional technical data, see facts & data.	



distribution block 1I / 20, parallel connection, with fastening option

Color of coding	Application	Marking of poles	Art.No.
■ black	250/400 V with PE	1, PE, 2/N	4L.030.1153.1
■ light blue	250/400 V	1, 2/N, 3	4L.030.1143.9
■ slate grey	~50/-120 V	1, 2, 3	4L.030.1141.4



distribution block 1I / 20, series connection, with fastening option

Color of coding	Application	Marking of poles	Art.No.
■ pebble grey	~50/-120 V with PE	1, 2, PE	4L.030.1351.8



distribution block 1I / 30, parallel connection, with fastening option

Color of coding	Application	Marking of poles	Art.No.
■ black	250/400 V with PE	1, PE, 2/N	4L.030.0153.1
■ light blue	250/400 V	1, 2/N, 3	4L.030.0143.9
■ slate grey	~50/-120 V	1, 2, 3	4L.030.0141.4



distribution block 1I / 30, series connection, with fastening option

Color of coding	Application	Marking of poles	Art.No.
■ pebble grey	~50/-120 V with PE	1, 2, PE	4L.030.0351.8

RST08I3, CABLE ASSEMBLY, 3-POLE

0.75 mm²



TECHNICAL DATA

Degree of protection (IP): IP66/68 (3m;2h) /IP69
 Lockable: self-locking (unlocking by hand)
 type of construction: Cable screw gland
 Additional technical data, see facts & data.

connecting cable, female - male

H05RN-F
 halogenated

Cable color:
 Color of coding: ■ black
 Application: 250/400 V with PE
 Marking of poles: 1, PE, 2/N
 with longitudinal sealing

Cable color:
 Color of coding: ■ black
 Application: 250/400 V with PE
 Marking of poles: 1, PE, 2/N

Cable color:
 Color of coding: ■ pebble grey
 Application: ~50/-120 V with PE
 Marking of poles:
 with longitudinal sealing

Cable color:
 Color of coding: ■ pebble grey
 Application: ~50/-120 V with PE
 Marking of poles: 1, 2, PE

Length (m)	Art.No.
	■ black
0.5	4L.437.0530.1
1	4L.437.1030.1
1.5	4L.437.1530.1
2	4L.437.2030.1
2.5	4L.437.2530.1
3	4L.437.3030.1
4	4L.437.4030.1
	■ black
0.5	41.437.0530.1
1	41.437.1030.1
1.5	41.437.1530.1
2	41.437.2030.1
2.5	41.437.2530.1
3	41.437.3030.1
4	41.437.4030.1
	■ black
0.5	4L.437.0532.8
1	4L.437.1032.8
1.5	4L.437.1532.8
2	4L.437.2032.8
2.5	4L.437.2532.8
3	4L.437.3032.8
4	4L.437.4032.8
	■ black
0.5	41.437.0532.8
1	41.437.1032.8
1.5	41.437.1532.8
2	41.437.2032.8
2.5	41.437.2532.8
3	41.437.3032.8
4	41.437.4032.8

RST08I3, CABLE ASSEMBLY, 3-POLE

0.75 mm², 6 A



TECHNICAL DATA

Rated current:	6 A	Preparation of conductor ends:	ultrasonically compressed wire ends
Degree of protection (IP):	IP66/68 (3m;2h) /IP69	type of construction:	Cable screw gland
Lockable:	self-locking (unlocking by hand)	Additional technical data, see facts & data.	

connection cable, female - free end

H05RN-F halogenated

Cable color: black
 Color of coding: ■ black
 Application: 250/400 V with PE
 Marking of poles: 1, PE, 2/N
 with longitudinal sealing

Cable color: black
 Color of coding: ■ black
 Application: 250/400 V with PE
 Marking of poles: 1, PE, 2/N

Cable color: pebble grey
 Color of coding: ■ pebble grey
 Application: ~50/-120 V with PE
 Marking of poles: 1, 2, PE
 with longitudinal sealing

Cable color: pebble grey
 Color of coding: ■ pebble grey
 Application: ~50/-120 V with PE
 Marking of poles: 1, 2, PE

Length (m)	Art.No.
	■ black
0.5	4L.437.0533.1
1	4L.437.1033.1
1.5	4L.437.1533.1
2	4L.437.2033.1
2.5	4L.437.2533.1
3	4L.437.3033.1
4	4L.437.4033.1
	■ black
0.5	41.437.0533.1
1	41.437.1033.1
1.5	41.437.1533.1
2	41.437.2033.1
2.5	41.437.2533.1
3	41.437.3033.1
4	41.437.4033.1
	■ black
0.5	4L.437.0537.8
1	4L.437.1037.8
1.5	4L.437.1537.8
2	4L.437.2037.8
2.5	4L.437.2537.8
3	4L.437.3037.8
4	4L.437.4037.8
	■ black
0.5	41.437.0537.8
1	41.437.1037.8
1.5	41.437.1537.8
2	41.437.2037.8
2.5	41.437.2537.8
3	41.437.3037.8
4	41.437.4037.8

RST08I3, CABLE ASSEMBLY, 3-POLE

0.75 mm², 6 A



TECHNICAL DATA

Rated current:	6 A	Preparation of conductor ends:	ultrasonically compressed wire ends
Degree of protection (IP):	IP66/68 (3m;2h) /IP69	type of construction:	Cable screw gland
Lockable:	self-locking (unlocking by hand)	Additional technical data, see facts & data.	

connection cable, male - free end

H05RN-F halogenated

Cable color: black
 Color of coding: ■ black
 Application: 250/400 V with PE
 Marking of poles: 1, PE, 2/N
 with longitudinal sealing

Cable color: black
 Color of coding: ■ black
 Application: 250/400 V with PE
 Marking of poles: 1, PE, 2/N

Cable color: pebble grey
 Color of coding: ■ pebble grey
 Application: ~50/-120 V with PE
 Marking of poles: 1, 2, PE
 with longitudinal sealing

Cable color: pebble grey
 Color of coding: ■ pebble grey
 Application: ~50/-120 V with PE
 Marking of poles: 1, 2, PE

Length (m)	Art.No.
	■ black
0.5	4L.437.0534.1
1	4L.437.1034.1
1.5	4L.437.1534.1
2	4L.437.2034.1
2.5	4L.437.2534.1
3	4L.437.3034.1
4	4L.437.4034.1
	■ black
0.5	41.437.0534.1
1	41.437.1034.1
1.5	41.437.1534.1
2	41.437.2034.1
2.5	41.437.2534.1
3	41.437.3034.1
4	41.437.4034.1
	■ black
0.5	4L.437.0538.8
1	4L.437.1038.8
1.5	4L.437.1538.8
2	4L.437.2038.8
2.5	4L.437.2538.8
3	4L.437.3038.8
4	4L.437.4038.8
	■ black
0.5	41.437.0538.8
1	41.437.1038.8
1.5	41.437.1538.8
2	41.437.2038.8
2.5	41.437.2538.8
3	41.437.3038.8
4	41.437.4038.8

RST08I4, CONNECTOR, 4-POLE

SCREW CONNECTION

TECHNICAL DATA

Rated current:	8 A	Cross section fine-stranded:	0,22 mm ² - 1 mm ²
Degree of protection (IP):	IP66/68 (3m;2h) /IP69	Connection cross section solid:	0,2 mm ² - 1 mm ²
Terminations per pole:	1	Additional technical data, see facts & data.	
Lockable:	self-locking (unlocking by hand)		

female

male



pluggable, straight, for cables Ø 5-10.6 mm, with longitudinal sealing

female

male

Color of coding	Application	Marking of poles	Art.No.	Art.No.
■ black	250/400 V with PE	1, PE, 2/N, 3	4L.041.3053.1	4L.042.3053.1
■ light blue	250/400 V	1, 2/N, 3, 4	4L.041.3043.9	4L.042.3043.9
■ pebble grey	~50/-120 V	1, 2, 3, 4	4L.041.3041.8	4L.042.3041.8
■ slate grey	~50/-120 V	1, 2, 3, 4	4L.041.3041.4	4L.042.3041.4

female

male



pluggable, straight, for cables Ø 5-10.6 mm

female

male

Color of coding	Application	Marking of poles	Art.No.	Art.No.
■ black	250/400 V with PE	1, PE, 2/N, 3	41.041.3053.1	41.042.3053.1
■ light blue	250/400 V	1, 2/N, 3, 4	41.041.3043.9	41.042.3043.9
■ pebble grey	~50/-120 V	1, 2, 3, 4	41.041.3041.8	41.042.3041.8
■ slate grey	~50/-120 V	1, 2, 3, 4	41.041.3041.4	41.042.3041.4

RST08I4, DEVICE CONNECTOR, M16,6, 4-POLE

SCREW CONNECTION

TECHNICAL DATA

Rated current:	8 A	Cross section fine-stranded:	0,22 mm ² - 1 mm ²
Degree of protection (IP):	IP66/68 (3m;2h) /IP69	ded:	
Terminations per pole:	1	Connection cross section solid:	0,2 mm ² - 1 mm ²
Lockable:	self-locking (unlocking by hand)	Additional technical data, see facts & data.	

female

male



standard, straight, with longitudinal sealing

Color of coding	Application	Marking of poles	female Art.No.	male Art.No.
■ black	250/400 V with PE	1, PE, 2/N, 3	4L.041.4053.1	4L.042.4053.1
■ light blue	250/400 V	1, 2/N, 3, 4	4L.041.4043.9	4L.042.4043.9
■ pebble grey	~50/-120 V	1, 2, 3, 4	4L.041.4041.8	4L.042.4041.8
■ slate grey	~50/-120 V	1, 2, 3, 4	4L.041.4041.4	4L.042.4041.4

female

male



standard, straight

Color of coding	Application	Marking of poles	female Art.No.	male Art.No.
■ black	250/400 V with PE	1, PE, 2/N, 3	41.041.4053.1	41.042.4053.1
■ light blue	250/400 V	1, 2/N, 3, 4	41.041.4043.9	41.042.4043.9
■ pebble grey	~50/-120 V	1, 2, 3, 4	41.041.4041.8	41.042.4041.8
■ slate grey	~50/-120 V	1, 2, 3, 4	41.041.4041.4	41.042.4041.4

RST08I4, DISTRIBUTOR, 4-POLE

TECHNICAL DATA

Rated current:	8 A	Lockable:	self-locking (unlocking by hand)
Degree of protection (IP):	IP66/68 (3m;2h) /IP69	Additional technical data, see facts & data.	



distribution block 1I / 20, parallel connection, with fastening option

Color of coding	Application	Marking of poles	Art.No.
■ black	250/400 V with PE	1, PE, 2/N, 3	4L.040.1153.1
■ light blue	250/400 V	1, 2/N, 3, 4	4L.040.1143.9
■ pebble grey	~50/-120 V	1, 2, 3, 4	4L.040.1141.8
■ slate grey	~50/-120 V	1, 2, 3, 4	4L.040.1141.4



distribution block 1I / 30, parallel connection, with fastening option

Color of coding	Application	Marking of poles	Art.No.
■ black	250/400 V with PE	1, PE, 2/N, 3	4L.040.0153.1
■ light blue	250/400 V	1, 2/N, 3, 4	4L.040.0143.9
■ pebble grey	~50/-120 V	1, 2, 3, 4	4L.040.0141.8
■ slate grey	~50/-120 V	1, 2, 3, 4	4L.040.0141.4

RST08I5, CONNECTOR, 5-POLE

SCREW CONNECTION

TECHNICAL DATA

Rated current:	8 A	Cross section fine-stranded:	0,22 mm ² - 1 mm ²
Degree of protection (IP):	IP66/68 (3m;2h) /IP69	Connection cross section solid:	0,2 mm ² - 1 mm ²
Terminations per pole:	1	Additional technical data, see facts & data.	
Lockable:	self-locking (unlocking by hand)		

female

male



straight, for cables Ø 5-10.6 mm, with longitudinal sealing

female

male

Color of coding	Application	Marking of poles	Art.No.	Art.No.
■ black	250/400 V with PE	1, 2/N, 3, 4, PE	4L.051.3053.1	4L.052.3053.1
■ light blue	250/400 V	1, 2/N, 3, 4, 5	4L.051.3043.9	4L.052.3043.9
■ pebble grey	~50/-120 V with PE	1, 2, 3, 4, PE	4L.051.3051.8	4L.052.3051.8
■ slate grey	~50/-120 V	1, 2, 3, 4, 5	4L.051.3041.4	4L.052.3041.4

female

male



straight, for cables Ø 5-10.6 mm

female

male

Color of coding	Application	Marking of poles	Art.No.	Art.No.
■ black	250/400 V with PE	1, 2/N, 3, 4, PE	41.051.3053.1	41.052.3053.1
■ light blue	250/400 V	1, 2/N, 3, 4, 5	41.051.3043.9	41.052.3043.9
■ pebble grey	~50/-120 V with PE	1, 2, 3, 4, PE	41.051.3051.8	41.052.3051.8
■ slate grey	~50/-120 V	1, 2, 3, 4, 5	41.051.3041.4	41.052.3041.4

RST08I5, DEVICE CONNECTOR, M16,6, 5-POLE

SCREW CONNECTION

TECHNICAL DATA

Rated current:	8 A	Cross section fine-stranded:	0,22 mm ² - 1 mm ²
Degree of protection (IP):	IP66/68 (3m;2h) /IP69	ded:	
Terminations per pole:	1	Connection cross section solid:	0,2 mm ² - 1 mm ²
Lockable:	self-locking (unlocking by hand)	Additional technical data, see facts & data.	

female

male



standard, straight, with longitudinal sealing

Color of coding	Application	Marking of poles	female Art.No.	male Art.No.
■ black	250/400 V with PE	1, 2/N, 3, 4, PE	4L.051.4053.1	4L.052.4053.1
■ light blue	250/400 V	1, 2/N, 3, 4, 5	4L.051.4043.9	4L.052.4043.9
■ pebble grey	~50/-120 V with PE	1, 2, 3, 4, PE	4L.051.4051.8	4L.052.4051.8
■ slate grey	~50/-120 V	1, 2, 3, 4, 5	4L.051.4041.4	4L.052.4041.4

female

male



standard, straight

Color of coding	Application	Marking of poles	female Art.No.	male Art.No.
■ black	250/400 V with PE	1, 2/N, 3, 4, PE	41.051.4053.1	41.052.4053.1
■ light blue	250/400 V	1, 2/N, 3, 4, 5	41.051.4043.9	41.052.4043.9
■ pebble grey	~50/-120 V with PE	1, 2, 3, 4, PE	41.051.4051.8	41.052.4051.8
■ slate grey	~50/-120 V	1, 2, 3, 4, 5	41.051.4041.4	41.052.4041.4

RST08I5, DISTRIBUTOR, 5-POLE

TECHNICAL DATA

Rated current: 8 A
 Degree of protection (IP): IP66/68 (3m;2h) /IP69
 Lockable: self-locking (unlocking by hand)
 Additional technical data, see facts & data.



distribution block 1I / 20, parallel connection, with fastening option

Color of coding	Application	Marking of poles	Art.No.
■ black	250/400 V with PE	1, 2/N, 3, 4, PE	4L.050.1153.1
■ light blue	250/400 V	1, 2/N, 3, 4, 5	4L.050.1143.9
■ pebble grey	~50/-120 V with PE	1, 2, 3, 4, PE	4L.050.1151.8
■ slate grey	~50/-120 V	1, 2, 3, 4	4L.050.1141.4



distribution block 1I / 30, parallel connection, with fastening option

Color of coding	Application	Marking of poles	Art.No.
■ black	250/400 V with PE	1, 2/N, 3, 4, PE	4L.050.0153.1
■ light blue	250/400 V	1, 2/N, 3, 4, 5	4L.050.0143.9
■ pebble grey	~50/-120 V with PE	1, 2, 3, 4, PE	4L.050.0151.8
■ slate grey	~50/-120 V	1, 2, 3, 4	4L.050.0141.4

RST08, ACCESSORIES



cover piece for 2-/3-pole, captive against loss, for female

Color

■ black

Art.No.

06.563.5053.1



cover piece for 2-/3-pole, captive against loss, for male

Color

■ black

Art.No.

06.563.5153.1



cover piece for 4-/5-pole, captive against loss, for female

Color

■ black

Art.No.

06.564.1553.1



cover piece for 4-/5-pole, captive against loss, for male

Color

■ black

Art.No.

06.564.1653.1



screwdriver

Art.No.

06.502.6300.0



allen key

Art.No.

06.502.6100.0

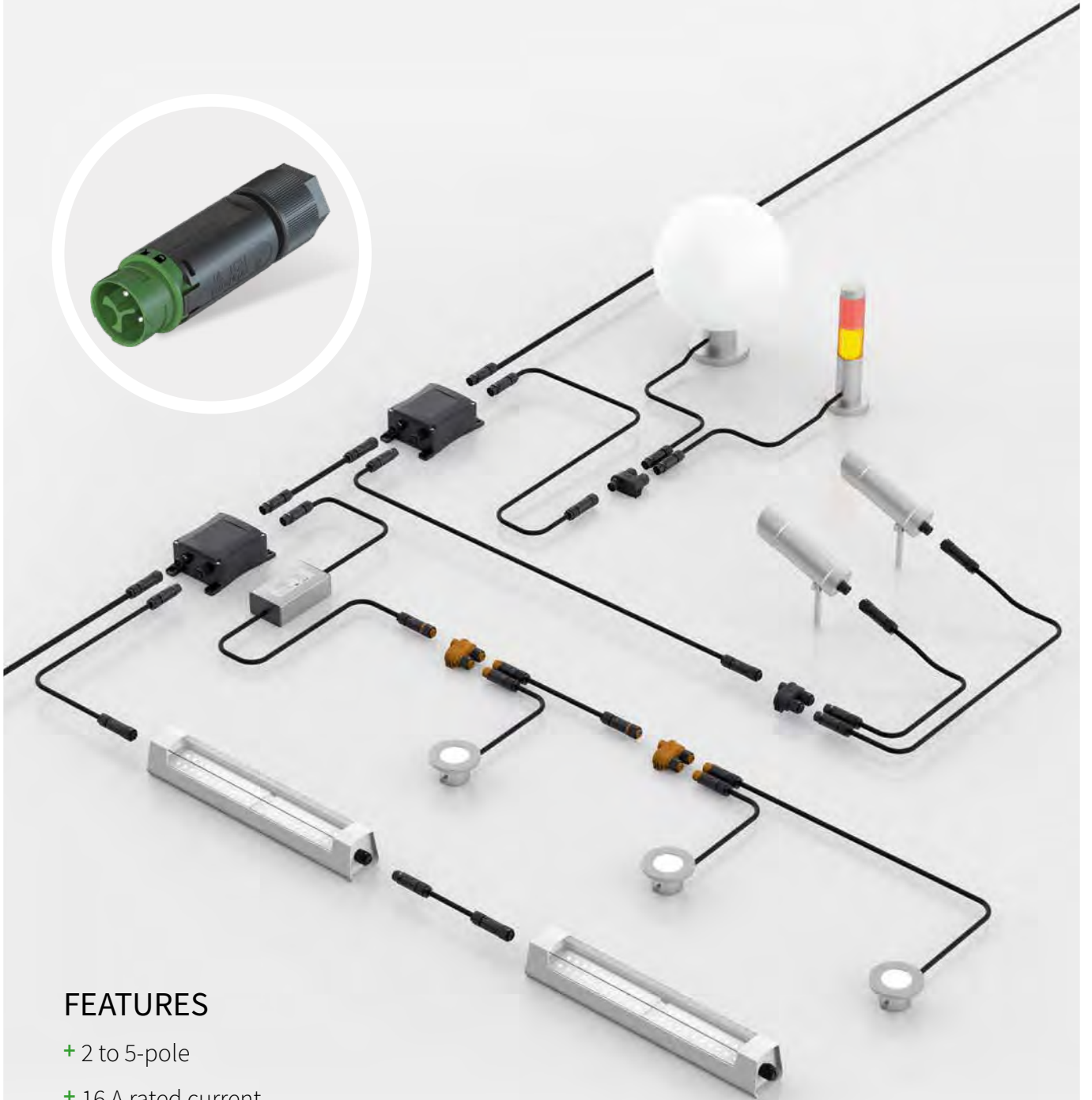
sample case, RST08i3

Art.No.

99.436.0000.1

RST[®] MINI

The small connectors
for extremely confined spaces.



FEATURES

- + 2 to 5-pole
- + 16 A rated current
- + Mechanical + color coding

RST16i2



Mechanical coding (view on connector interface female)	black	light gray	leaf green	light blue	turquoise	signal brown
Operating voltage (application)	250 V	250 V	250/400 V	250/400 V	250/400 V	~50/-120 V
Marking of poles	L, N	L, N	1, 2	1, 2	D1, D2	1, 2

RST16i3



Mechanical coding (view on connector interface female)	black	light gray	leaf green	light blue	turquoise	signal brown
Operating voltage (application)	250 V with PE	250 V with PE	250/400 V with PE	250/400 V	250/400 V with PE	~50/-120 V
Marking of poles	L, N, PE	L, N, PE	1, 2, PE	1, 2, 3	D1, D2, PE	1, 2, 3

RST16i4



Mechanical coding (view on connector interface female)	black	light gray	signal brown
Operating voltage (application)	250/400 V with PE	250/400 V with PE	~50/-120 V
Marking of poles	1, 2, 3, PE	1, 2, 3, PE	1, 2, 3, 4

RST16i5



Mechanical coding (view on connector interface female)	black	light gray	turquoise	light blue	signal brown
Operating voltage (application)	250/400 V with PE	250/400 V with PE	250 V with PE	250/400 V with PE	~50/-120 V
Marking of poles	1, 2, 3, N, PE	1, 2, 3, N, PE	L, N, PE, 1, 2	1, 2, 3, 4, 5	1, 2, 3, 4, 5

RST16I2, CONNECTOR, 2-POLE

SCREW CONNECTION

TECHNICAL DATA

Rated current:	16 A	Cross section fine-stranded:	0,25 mm ² - 2,5 mm ²
Degree of protection (IP):	IP66/68 (3m;2h) /IP69	Connection cross section solid:	0,25 mm ² - 2,5 mm ²
Terminations per pole:	1	Additional technical data, see facts & data.	
Lockable:	self-locking (unlocking by hand)		

female

male



straight, for cables Ø 5-9.5 mm

Color of coding	Application	Marking of poles	female Art.No.	male Art.No.
■ black	250 V	L, N	46.031.4554.1	46.032.4554.1
□ light grey	250 V	L, N	46.031.4554.0	46.032.4554.0
■ leaves green	250/400 V	1, 2	46.031.4556.7	46.032.4556.7
■ light blue	250/400 V	1, 2	46.031.4554.9	46.032.4554.9
■ turquoise blue	250/400 V	D1, D2	46.031.4551.6	46.032.4551.6
■ signal brown	~50/-120 V	1, 2	46.031.4551.4	46.032.4551.4

female

male



straight, for cables Ø 7.1-13 mm

Color of coding	Application	Marking of poles	female Art.No.	male Art.No.
■ black	250 V	L, N	46.031.4454.1	46.032.4454.1
□ light grey	250 V	L, N	46.031.4454.0	46.032.4454.0
■ leaves green	250/400 V	1, 2	46.031.4456.7	46.032.4456.7
■ light blue	250/400 V	1, 2	46.031.4454.9	46.032.4454.9
■ turquoise blue	250/400 V	D1, D2	46.031.4451.6	46.032.4451.6
■ signal brown	~50/-120 V	1, 2	46.031.4451.4	46.032.4451.4

female

male



straight, for AS-i profile cable

Color of coding	Application	Marking of poles	female Art.No.	male Art.No.
■ turquoise blue	250/400 V	D1, D2	46.031.4951.6	46.032.4951.6
■ signal brown	~50/-120 V	1, 2	46.031.4951.4	46.032.4951.4

RST16I2, DEVICE CONNECTOR, M16, 2-POLE

SCREW CONNECTION

TECHNICAL DATA

Rated current:	16 A	Cross section fine-stranded:	0,25 mm ² - 2,5 mm ²
Degree of protection (IP):	IP66/68 (3m;2h) /IP69	Connection cross section solid:	0,25 mm ² - 2,5 mm ²
Terminations per pole:	1	Additional technical data, see facts & data.	
Lockable:	self-locking (unlocking by hand)		

female

male



standard, straight

Color of coding	Application	Marking of poles	female Art.No.	male Art.No.
■ black	250 V	L, N	46.031.5054.1	46.032.5054.1
□ light grey	250 V	L, N	46.031.5054.0	46.032.5054.0
■ leaves green	250/400 V	1, 2	46.031.5056.7	46.032.5056.7
■ light blue	250/400 V	1, 2	46.031.5054.9	46.032.5054.9
■ turquoise blue	250/400 V	D1, D2	46.031.5051.6	46.032.5051.6
■ signal brown	~50/-120 V	1, 2	46.031.5051.4	46.032.5051.4

RST16I2, DEVICE CONNECTOR, M20, 2-POLE

SPRING CLAMP CONNECTION

TECHNICAL DATA			
Rated current:	16 A	Cross section fine-stranded:	0,5 mm ² - 2,5 mm ²
Degree of protection (IP):	IP66/68 (3m;2h) /IP69	Connection cross section solid:	0,5 mm ² - 2,5 mm ²
Terminations per pole:	2	Additional technical data, see facts & data.	
Lockable:	self-locking (unlocking by hand)		

male



modular, straight, with longitudinal sealing			male
Color of coding	Application	Marking of poles	Art.No.
■ black	250 V	L, N	46.032.M0L1.1
□ light grey	250 V	L, N	46.032.M0L1.0
■ light blue	250/400 V	1, 2	46.032.M0L1.9
■ turquoise blue	250/400 V	D1, D2	46.032.M0L1.6
■ signal brown	~50/-120 V	1, 2	46.032.M0L1.4

male



modular, straight			male
Color of coding	Application	Marking of poles	Art.No.
■ black	250 V	L, N	46.032.M054.1
□ light grey	250 V	L, N	46.032.M054.0
■ light blue	250/400 V	1, 2	46.032.M054.9
■ turquoise blue	250/400 V	D1, D2	46.032.M051.6
■ signal brown	~50/-120 V	1, 2	46.032.M051.4

RST16I2, DISTRIBUTOR, 2-POLE

TECHNICAL DATA

Rated current:	16 A	Lockable:	self-locking (unlocking by hand)
Degree of protection (IP):	IP66/68 (3m;2h) /IP69	Additional technical data, see facts & data.	



distribution block 1I / 20, series connection, with fastening option to 06.562.5853.1

Color of coding	Application	Marking of poles	Art.No.
■ leaves green	250/400 V	1, 2	46.030.1354.7
■ signal brown	~50/-120 V	1, 2	46.030.1354.4



distribution block 1I / 20, parallel connection, with fastening option to 06.562.5853.0 / 06.562.5853.1

Color of coding	Application	Marking of poles	Art.No.
■ black	250 V	L, N	46.030.1254.1
□ light grey	250 V	L, N	46.030.1254.0
■ light blue	250/400 V	1, 2	46.030.1254.9
■ turquoise blue	250/400 V	D1, D2	46.030.1251.6
■ signal brown	~50/-120 V	1, 2	46.030.1251.4



compact distributor 1I / 30, parallel connection, with fastening option

Color of coding	Application	Marking of poles	Art.No.
■ black	250 V	L, N	46.030.0154.1
□ light grey	250 V	L, N	46.030.0154.0
■ light blue	250/400 V	1, 2	46.030.0154.9
■ turquoise blue	250/400 V	D1, D2	46.030.0151.6
■ signal brown	~50/-120 V	1, 2	46.030.0151.4

RST16I2, CABLE ASSEMBLY, 2-POLE

1.5 mm², 16 A



TECHNICAL DATA

Rated current: 16 A
 Degree of protection (IP): IP66/68 (3m;2h) /IP69
 Lockable: self-locking (unlocking by hand)

type of construction: Cable screw gland
 Additional technical data, see facts & data.

connecting cable, female - male

Cable color:
 Color of coding: ■ black
 Application: 250 V
 Marking of poles: L, N

Cable color:
 Color of coding: ■ signal brown
 Application: ~50/-120 V
 Marking of poles: 1, 2

Length (m)	H07RN-F halogenated	H05VV-F halogenated Eca
	Art.No.	Art.No.
	■ black	■ black
1	46.422.1030.1	46.422.1000.1
2	46.422.2030.1	46.422.2000.1
3	46.422.3030.1	46.422.3000.1
4	46.422.4030.1	46.422.4000.1
5	46.422.5030.1	46.422.5000.1
	■ black	■ black
1	46.422.1032.4	46.422.1002.4
2	46.422.2032.4	46.422.2002.4
3	46.422.3032.4	46.422.3002.4
4	46.422.4032.4	46.422.4002.4
5	46.422.5032.4	46.422.5002.4



TECHNICAL DATA

Rated current: 16 A
 Degree of protection (IP): IP66/68 (3m;2h) /IP69
 Lockable: self-locking (unlocking by hand)

Preparation of conductor ends: ultrasonically compressed wire ends
 type of construction: Cable screw gland
 Additional technical data, see facts & data.

connection cable, female - free end

Cable color:
 Color of coding: ■ black
 Application: 250 V
 Marking of poles: L, N

Cable color:
 Color of coding: ■ signal brown
 Application: ~50/-120 V
 Marking of poles: 1, 2

Length (m)	H07RN-F halogenated	H05VV-F halogenated Eca
	Art.No.	Art.No.
	■ black	■ black
1	46.422.1033.1	46.422.1003.1
2	46.422.2033.1	46.422.2003.1
3	46.422.3033.1	46.422.3003.1
4	46.422.4033.1	46.422.4003.1
5	46.422.5033.1	46.422.5003.1
	■ black	■ black
1	46.422.1037.4	46.422.1007.4
2	46.422.2037.4	46.422.2007.4
3	46.422.3037.4	46.422.3007.4
4	46.422.4037.4	46.422.4007.4
5	46.422.5037.4	46.422.5007.4

RST16I2, CABLE ASSEMBLY, 2-POLE

1.5 mm², 16 A



TECHNICAL DATA

Rated current:	16 A	Preparation of conductor ends:	ultrasonically compressed wire ends
Degree of protection (IP):	IP66/68 (3m;2h) /IP69	type of construction:	Cable screw gland
Lockable:	self-locking (unlocking by hand)	Additional technical data, see facts & data.	

connection cable, male - free end

Cable color:
 Color of coding: ■ black
 Application: 250 V
 Marking of poles: L, N

Cable color:
 Color of coding: ■ signal brown
 Application: ~50/-120 V
 Marking of poles: 1, 2

Length (m)	H07RN-F halogenated	H05VV-F halogenated Eca
	Art.No.	Art.No.
	■ black	■ black
1	46.422.1034.1	46.422.1004.1
2	46.422.2034.1	46.422.2004.1
3	46.422.3034.1	46.422.3004.1
4	46.422.4034.1	46.422.4004.1
5	46.422.5034.1	46.422.5004.1
	■ black	■ black
0.5	46.422.0538.4	46.422.0508.4
1	46.422.1038.4	46.422.1008.4
2	46.422.2038.4	46.422.2008.4
3	46.422.3038.4	46.422.3008.4
4	46.422.4038.4	46.422.4008.4
5	46.422.5038.4	46.422.5008.4

RST® MINI

RST16I2, CABLE ASSEMBLY, 2-POLE

2.5 mm², 16 A



TECHNICAL DATA

Rated current:	16 A	type of construction:	Cable screw gland
Degree of protection (IP):	IP66/68 (3m;2h) /IP69	Additional technical data, see facts & data.	
Lockable:	self-locking (unlocking by hand)		

connecting cable, female - male

H07RN-F
halogenated

Cable color:
Color of coding: ■ black
Application: 250 V
Marking of poles: L, N

Length (m)	Art.No.
	■ black
1	46.423.1030.1
2	46.423.2030.1
3	46.423.3030.1
4	46.423.4030.1
5	46.423.5030.1
6	46.423.6030.1
7	46.423.7030.1
8	46.423.8030.1

Cable color:
Color of coding: ■ signal brown
Application: ~50/-120 V
Marking of poles: 1, 2

	■ black
1	46.423.1032.4
2	46.423.2032.4
3	46.423.3032.4
4	46.423.4032.4
5	46.423.5032.4
6	46.423.6032.4
7	46.423.7032.4
8	46.423.8032.4



TECHNICAL DATA

Rated current:	16 A	Preparation of conductor ends:	ultrasonically compressed wire ends
Degree of protection (IP):	IP66/68 (3m;2h) /IP69	type of construction:	Cable screw gland
Lockable:	self-locking (unlocking by hand)	Additional technical data, see facts & data.	

connection cable, female - free end

H07RN-F
halogenated

Cable color:
Color of coding: ■ black
Application: 250 V
Marking of poles: L, N

Length (m)	Art.No.
	■ black
1	46.423.1033.1
2	46.423.2033.1
3	46.423.3033.1
4	46.423.4033.1
5	46.423.5033.1
6	46.423.6033.1
7	46.423.7033.1
8	46.423.8033.1

Cable color:
Color of coding: ■ signal brown
Application: ~50/-120 V
Marking of poles: 1, 2

	■ black
1	46.423.1037.4
2	46.423.2037.4
3	46.423.3037.4
4	46.423.4037.4
5	46.423.5037.4
6	46.423.6037.4
7	46.423.7037.4
8	46.423.8037.4

RST16I2, CABLE ASSEMBLY, 2-POLE

2.5 mm², 16 A



TECHNICAL DATA

Rated current:	16 A	Preparation of conductor ends:	ultrasonically compressed wire ends
Degree of protection (IP):	IP66/68 (3m;2h) /IP69	type of construction:	Cable screw gland
Lockable:	self-locking (unlocking by hand)	Additional technical data, see facts & data.	

connection cable, male - free end

H07RN-F halogenated

Cable color: black
 Color of coding: ■ black
 Application: 250 V
 Marking of poles: L, N

Length (m)	Art.No.
	■ black
1	46.423.1034.1
2	46.423.2034.1
3	46.423.3034.1
4	46.423.4034.1
5	46.423.5034.1
6	46.423.6034.1
7	46.423.7034.1
8	46.423.8034.1
	■ black
1	46.423.1038.4
2	46.423.2038.4
3	46.423.3038.4
4	46.423.4038.4
5	46.423.5038.4
6	46.423.6038.4
7	46.423.7038.4
8	46.423.8038.4

Cable color: signal brown
 Color of coding: ■ signal brown
 Application: ~50/-120 V
 Marking of poles: 1, 2

RST® MINI

RST16I3, CONNECTOR, 3-POLE

SCREW CONNECTION

TECHNICAL DATA

Rated current:	16 A	Cross section fine-stranded:	0,25 mm ² - 2,5 mm ²
Degree of protection (IP):	IP66/68 (3m;2h) /IP69	Connection cross section solid:	0,25 mm ² - 2,5 mm ²
Terminations per pole:	1	Additional technical data, see facts & data.	
Lockable:	self-locking (unlocking by hand)		

female

male



straight, for cables Ø 5-9.5 mm

Color of coding	Application	Marking of poles	female Art.No.	male Art.No.
■ black	250 V with PE	L, N, PE	46.031.4553.1	46.032.4553.1
□ light grey	250 V with PE	L, N, PE	46.031.4553.0	46.032.4553.0
■ leaves green	250/400 V with PE	1, 2, PE	46.031.4555.7	46.032.4555.7
■ light blue	250/400 V	1, 2, 3	46.031.4553.9	46.032.4553.9
■ turquoise blue	250/400 V with PE	D1, D2, PE	46.031.4550.6	46.032.4550.6
■ signal brown	~50/-120 V	1, 2, 3	46.031.4550.4	46.032.4550.4

female

male



straight, for cables Ø 7.1-13 mm

Color of coding	Application	Marking of poles	female Art.No.	male Art.No.
■ black	250 V with PE	L, N, PE	46.031.4453.1	46.032.4453.1
□ light grey	250 V with PE	L, N, PE	46.031.4453.0	46.032.4453.0
■ leaves green	250/400 V with PE	1, 2, PE	46.031.4455.7	46.032.4455.7
■ light blue	250/400 V	1, 2, 3	46.031.4453.9	46.032.4453.9
■ turquoise blue	250/400 V with PE	D1, D2, PE	46.031.4450.6	46.032.4450.6
■ signal brown	~50/-120 V	1, 2, 3	46.031.4450.4	46.032.4450.4

RST16I3, DEVICE CONNECTOR, M16, 3-POLE

SCREW CONNECTION

TECHNICAL DATA

Rated current:	16 A	Cross section fine-stranded:	0,25 mm ² - 2,5 mm ²
Degree of protection (IP):	IP66/68 (3m;2h) /IP69	Connection cross section solid:	0,25 mm ² - 2,5 mm ²
Terminations per pole:	1	Additional technical data, see facts & data.	
Lockable:	self-locking (unlocking by hand)		

female



male



standard, straight

Color of coding	Application	Marking of poles	female Art.No.	male Art.No.
■ black	250 V with PE	L, N, PE	46.031.5053.1	46.032.5053.1
□ light grey	250 V with PE	L, N, PE	46.031.5053.0	46.032.5053.0
■ leaves green	250/400 V with PE	1, 2, PE	46.031.5055.7	46.032.5055.7
■ light blue	250/400 V	1, 2, 3	46.031.5053.9	46.032.5053.9
■ turquoise blue	250/400 V with PE	D1, D2, PE	46.031.5050.6	46.032.5050.6
■ signal brown	~50/-120 V	1, 2, 3	46.031.5050.4	46.032.5050.4

RST16I3, DEVICE CONNECTOR, M20, 3-POLE

SPRING CLAMP CONNECTION

TECHNICAL DATA			
Rated current:	16 A	Cross section fine-stranded:	0,5 mm ² - 2,5 mm ²
Degree of protection (IP):	IP66/68 (3m;2h) /IP69	Connection cross section solid:	0,5 mm ² - 2,5 mm ²
Terminations per pole:	2	Additional technical data, see facts & data.	
Lockable:	self-locking (unlocking by hand)		

male



modular, straight, with longitudinal sealing

male

Color of coding	Application	Marking of poles	Art.No.
■ black	250 V with PE	L, N, PE	46.032.M0L0.1
□ light grey	250 V with PE	L, N, PE	46.032.M0L0.0
■ leaves green	250/400 V with PE	1, 2, PE	46.032.M0L0.7
■ light blue	250/400 V	1, 2, 3	46.032.M0L0.9
■ turquoise blue	250/400 V with PE	D1, D2, PE	46.032.M0L0.6
■ signal brown	~50/-120 V	1, 2, 3	46.032.M0L0.4

male



modular, straight

male

Color of coding	Application	Marking of poles	Art.No.
■ black	250 V with PE	L, N, PE	46.032.M053.1
□ light grey	250 V with PE	L, N, PE	46.032.M053.0
■ leaves green	250/400 V with PE	1, 2, PE	46.032.M055.7
■ light blue	250/400 V	1, 2, 3	46.032.M053.9
■ turquoise blue	250/400 V with PE	D1, D2, PE	46.032.M050.6
■ signal brown	~50/-120 V	1, 2, 3	46.032.M050.4

RST16I3, DISTRIBUTOR, 3-POLE

TECHNICAL DATA

Rated current:	16 A	Lockable:	self-locking (unlocking by hand)
Degree of protection (IP):	IP66/68 (3m;2h) /IP69	Additional technical data, see facts & data.	



distribution block 1I / 20, series connection, with fastening option to 06.562.5853.1

Color of coding	Application	Marking of poles	Art.No.
■ leaves green	250/400 V with PE	1, 2, PE	46.030.1355.7
■ signal brown	~50/-120 V	1, 2, 3	46.030.1355.4



distribution block 1I / 20, parallel connection, with fastening option to 06.562.5853.0 / 06.562.5853.1

Color of coding	Application	Marking of poles	Art.No.
■ black	250 V with PE	L, N, PE	46.030.1253.1
□ light grey	250 V with PE	L, N, PE	46.030.1253.0
■ leaves green	250/400 V with PE	1, 2, PE	46.030.1255.7
■ light blue	250/400 V	1, 2, 3	46.030.1253.9
■ turquoise blue	250/400 V with PE	D1, D2, PE	46.030.1250.6
■ signal brown	~50/-120 V	1, 2, 3	46.030.1250.4



compact distributor 1I / 30, parallel connection, with fastening option

Color of coding	Application	Marking of poles	Art.No.
■ black	250 V with PE	L, N, PE	46.030.0153.1
□ light grey	250 V with PE	L, N, PE	46.030.0153.0
■ leaves green	250/400 V with PE	1, 2, PE	46.030.0155.7
■ light blue	250/400 V	1, 2, 3	46.030.0153.9
■ turquoise blue	250/400 V with PE	D1, D2, PE	46.030.0150.6

RST16I3, CABLE ASSEMBLY, 3-POLE

1.5 mm², 16 A



TECHNICAL DATA

Rated current: 16 A
 Degree of protection (IP): IP66/68 (3m;2h) /IP69
 Lockable: self-locking (unlocking by hand)
 type of construction: Cable screw gland
 Additional technical data, see facts & data.

connecting cable, female - male

Cable color:
 Color of coding: ■ black
 Application: 250 V with PE
 Marking of poles: L, N, PE

Length (m)	H07RN-F halogenated	H05VV-F halogenated Eca	H05Z1Z1-F halogen free B2ca s1 d1 a1
	Art.No.	Art.No.	Art.No.
	■ black	■ black	■ black
0.5	46.432.0530.1	46.432.0500.1	
1	46.432.1030.1	46.432.1000.1	46.432.10B0.1
2	46.432.2030.1	46.432.2000.1	46.432.20B0.1
3	46.432.3030.1	46.432.3000.1	
4	46.432.4030.1	46.432.4000.1	
5	46.432.5030.1	46.432.5000.1	



connecting cable, female - male

Cable color:
 Color of coding: ■ black
 Application: 250 V with PE
 Marking of poles: L, N, PE

Length (m)	H05Z1Z1-F halogen free Cca s1 d1 a1
	Art.No.
	■ black
0.5	
1	46.432.10C0.1
2	46.432.20C0.1
3	
4	
5	

RST16I3, CABLE ASSEMBLY, 3-POLE

1.5 mm², 16 A



TECHNICAL DATA

Rated current:	16 A	Preparation of conductor ends:	ultrasonically compressed wire ends
Degree of protection (IP):	IP66/68 (3m;2h) /IP69	type of construction:	Cable screw gland
Lockable:	self-locking (unlocking by hand)	Additional technical data, see facts & data.	

connection cable, female - free end

Cable color: ■ black
 Color of coding: ■ black
 Application: 250 V with PE
 Marking of poles: L, N, PE

Length (m)	H07RN-F halogenated	H05VV-F halogenated Eca	H05Z1Z1-F halogen free B2ca s1 d1 a1
	Art.No.	Art.No.	Art.No.
	■ black	■ black	■ black
0.5	46.432.0533.1	46.432.0503.1	
1	46.432.1033.1	46.432.1003.1	46.432.10B3.1
2	46.432.2033.1	46.432.2003.1	46.432.20B3.1
3	46.432.3033.1	46.432.3003.1	
4	46.432.4033.1	46.432.4003.1	
5	46.432.5033.1	46.432.5003.1	



connection cable, female - free end

Cable color: ■ black
 Color of coding: ■ black
 Application: 250 V with PE
 Marking of poles: L, N, PE

Length (m)	H05Z1Z1-F halogen free Cca s1 d1 a1
	Art.No.
	■ black
0.5	
1	46.432.10C3.1
2	46.432.20C3.1
3	
4	
5	

RST® MINI

RST16I3, CABLE ASSEMBLY, 3-POLE

1.5 mm², 16 A



TECHNICAL DATA

Rated current:	16 A	Preparation of conductor ends:	ultrasonically compressed wire ends
Degree of protection (IP):	IP66/68 (3m;2h) /IP69	type of construction:	Cable screw gland
Lockable:	self-locking (unlocking by hand)	Additional technical data, see facts & data.	

connection cable, male - free end

Cable color:
 Color of coding: ■ black
 Application: 250 V with PE
 Marking of poles: L, N, PE

Length (m)	H07RN-F halogenated	H05VV-F halogenated Eca	H05Z1Z1-F halogen free B2ca s1 d1 a1
	Art.No.	Art.No.	Art.No.
	■ black	■ black	■ black
0.5	46.432.0534.1	46.432.0504.1	
1	46.432.1034.1	46.432.1004.1	46.432.10B4.1
2	46.432.2034.1	46.432.2004.1	46.432.20B4.1
3	46.432.3034.1	46.432.3004.1	46.432.30B4.1
4	46.432.4034.1	46.432.4004.1	
5	46.432.5034.1	46.432.5004.1	



connection cable, male - free end

Cable color:
 Color of coding: ■ black
 Application: 250 V with PE
 Marking of poles: L, N, PE

Length (m)	H05Z1Z1-F halogen free Cca s1 d1 a1
	Art.No.
	■ black
0.5	
1	46.432.10C4.1
2	46.432.20C4.1
3	
4	
5	

RST16I3, CABLE ASSEMBLY, 3-POLE

1.5 mm², 16 A



TECHNICAL DATA

Rated current:	16 A	Preparation of conductor ends:	ultrasonically compressed wire ends
Lockable:	self-locking (unlocking by hand)	type of construction:	Cable screw gland
Additional technical data, see facts & data.			

mains connection cable, female - male CEE 7/4

H07RN-F
halogenated

H05VV-F
halogenated
Eca

Cable color:	
Color of coding:	■ black
Application:	250 V with PE
Marking of poles:	L, N, PE

Length (m)	Art.No.	Art.No.
	■ black	■ black
1.5	99.705.0000.8	99.700.0000.8
2.5	99.706.0000.8	99.701.0000.8
4	99.707.0000.8	
5	99.708.0000.8	
8	99.709.0000.8	

mains connection cable, male - female CEE 7/4

H07RN-F
halogenated

Cable color:	
Color of coding:	■ black
Application:	250 V with PE
Marking of poles:	L, N, PE

Length (m)	Art.No.
	■ black
0.5	99.710.0000.8

RST® MINI

RST16I3, CABLE ASSEMBLY, 3-POLE

2.5 mm², 16 A



TECHNICAL DATA

Rated current: 16 A
 Degree of protection (IP): IP66/68 (3m;2h) /IP69
 Lockable: self-locking (unlocking by hand)
 type of construction: Cable screw gland
 Additional technical data, see facts & data.

connecting cable, female - male

Cable color:
 Color of coding: ■ black
 Application: 250 V with PE
 Marking of poles: L, N, PE

Cable color:
 Color of coding: ■ leaves green
 Application: 250/400 V with PE
 Marking of poles: 1, 2, PE

Cable color:
 Color of coding: ■ light blue
 Application: 250/400 V
 Marking of poles: 1, 2, 3

Length (m)	H07RN-F halogenated	H05VV-F halogenated Eca
	Art.No.	Art.No.
	■ black	■ black
1	46.433.1030.1	46.433.1000.1
2	46.433.2030.1	46.433.2000.1
3	46.433.3030.1	46.433.3000.1
4	46.433.4030.1	46.433.4000.1
5	46.433.5030.1	46.433.5000.1
6	46.433.6030.1	46.433.6000.1
7	46.433.7030.1	46.433.7000.1
8	46.433.8030.1	46.433.8000.1
	■ black	
1	46.433.1031.7	
2	46.433.2031.7	
3	46.433.3031.7	
4	46.433.4031.7	
5	46.433.5031.7	
6	46.433.6031.7	
7	46.433.7031.7	
8	46.433.8031.7	
	■ black	
1	46.433.1030.9	
2	46.433.2030.9	
3	46.433.3030.9	
4	46.433.4030.9	
5	46.433.5030.9	
6	46.433.6030.9	
7	46.433.7030.9	
8	46.433.8030.9	

RST16I3, CABLE ASSEMBLY, 3-POLE

2.5 mm², 16 A



TECHNICAL DATA

Rated current:	16 A	Preparation of conductor ends:	ultrasonically compressed wire ends
Degree of protection (IP):	IP66/68 (3m;2h) /IP69	type of construction:	Cable screw gland
Lockable:	self-locking (unlocking by hand)	Additional technical data, see facts & data.	

connection cable, female - free end

Cable color:
Color of coding: ■ black
Application: 250 V with PE
Marking of poles: L, N, PE

Cable color:
Color of coding: ■ leaves green
Application: 250/400 V with PE
Marking of poles: 1, 2, PE

Cable color:
Color of coding: ■ light blue
Application: 250/400 V
Marking of poles: 1, 2, 3

Length (m)	H07RN-F halogenated	H05VV-F halogenated Eca
	Art.No.	Art.No.
	■ black	■ black
1	46.433.1033.1	46.433.1003.1
2	46.433.2033.1	46.433.2003.1
3	46.433.3033.1	46.433.3003.1
4	46.433.4033.1	46.433.4003.1
5	46.433.5033.1	46.433.5003.1
6	46.433.6033.1	46.433.6003.1
7	46.433.7033.1	46.433.7003.1
8	46.433.8033.1	46.433.8003.1
	■ black	
1	46.433.1035.7	
2	46.433.2035.7	
3	46.433.3035.7	
4	46.433.4035.7	
5	46.433.5035.7	
6	46.433.6035.7	
7	46.433.7035.7	
8	46.433.8035.7	
	■ black	
1	46.433.1033.9	
2	46.433.2033.9	
3	46.433.3033.9	
4	46.433.4033.9	
5	46.433.5033.9	
6	46.433.6033.9	
7	46.433.7033.9	
8	46.433.8033.9	

connection cable, male - free end

Cable color:
Color of coding: ■ black
Application: 250 V with PE
Marking of poles: L, N, PE

Cable color:
Color of coding: ■ leaves green
Application: 250/400 V with PE
Marking of poles: 1, 2, PE

Cable color:
Color of coding: ■ light blue
Application: 250/400 V
Marking of poles: 1, 2, 3

Length (m)	H07RN-F halogenated	H05VV-F halogenated Eca
	Art.No.	Art.No.
	■ black	■ black
1	46.433.1034.1	46.433.1004.1
2	46.433.2034.1	46.433.2004.1
3	46.433.3034.1	46.433.3004.1
4	46.433.4034.1	46.433.4004.1
5	46.433.5034.1	46.433.5004.1
6	46.433.6034.1	46.433.6004.1
7	46.433.7034.1	46.433.7004.1
8	46.433.8034.1	46.433.8004.1
	■ black	
1	46.433.1036.7	
2	46.433.2036.7	
3	46.433.3036.7	
4	46.433.4036.7	
5	46.433.5036.7	
6	46.433.6036.7	
7	46.433.7036.7	
8	46.433.8036.7	
	■ black	
1	46.433.1034.9	
2	46.433.2034.9	
3	46.433.3034.9	
4	46.433.4034.9	
5	46.433.5034.9	
6	46.433.6034.9	
7	46.433.7034.9	
8	46.433.8034.9	

RST® MINI

RST16I4, CONNECTOR, 4-POLE

SCREW CONNECTION

TECHNICAL DATA

Rated current:	16 A	Cross section fine-stranded:	0,25 mm ² - 2,5 mm ²
Degree of protection (IP):	IP66/68 (3m;2h) /IP69	Connection cross section solid:	0,25 mm ² - 2,5 mm ²
Terminations per pole:	1	Additional technical data, see facts & data.	
Lockable:	self-locking (unlocking by hand)		

female

male



straight, for cables Ø 7.1-13 mm

Color of coding	Application	Marking of poles	female Art.No.	male Art.No.
■ black	250/400 V with PE	1, 2, 3, PE	46.051.4554.1	46.052.4554.1
□ light grey	250/400 V with PE	1, 2, 3, PE	46.051.4554.0	46.052.4554.0
■ signal brown	~50/-120 V	1, 2, 3, 4	46.051.4551.4	46.052.4551.4

female

male



straight, for cables Ø 10-14.5 mm

Color of coding	Application	Marking of poles	female Art.No.	male Art.No.
■ black	250/400 V with PE	1, 2, 3, PE	46.051.4154.1	46.052.4154.1
□ light grey	250/400 V with PE	1, 2, 3, PE	46.051.4154.0	46.052.4154.0
■ signal brown	~50/-120 V	1, 2, 3, 4	46.051.4151.4	46.052.4151.4

RST16I4, DEVICE CONNECTOR, M20, 4-POLE

SPRING CLAMP CONNECTION

TECHNICAL DATA

Rated current:	16 A	Cross section fine-stranded:	0,5 mm ² - 2,5 mm ²
Degree of protection (IP):	IP66/68 (3m;2h) /IP69	Connection cross section solid:	0,5 mm ² - 2,5 mm ²
Terminations per pole:	2	Additional technical data, see facts & data.	
Lockable:	self-locking (unlocking by hand)		

female

male



modular, straight, with longitudinal sealing

Color of coding	Application	Marking of poles	female Art.No.	male Art.No.
■ black	250/400 V with PE	1, 2, 3, PE	46.051.M0L1.1	46.052.M0L1.1
□ light grey	250/400 V with PE	1, 2, 3, PE	46.051.M0L1.0	46.052.M0L1.0
■ signal brown	~50/-120 V	1, 2, 3, 4	46.051.M0L1.4	46.052.M0L1.4

female

male



modular, straight

Color of coding	Application	Marking of poles	female Art.No.	male Art.No.
■ black	250/400 V with PE	1, 2, 3, PE	46.051.M054.1	46.052.M054.1
□ light grey	250/400 V with PE	1, 2, 3, PE	46.051.M054.0	46.052.M054.0
■ signal brown	~50/-120 V	1, 2, 3, 4	46.051.M051.4	46.052.M051.4

RST16I4, DEVICE CONNECTOR, M20,2, 4-POLE

SCREW CONNECTION

TECHNICAL DATA

Rated current:	16 A	Cross section fine-stranded:	0,25 mm ² - 2,5 mm ²
Degree of protection (IP):	IP66/68 (3m;2h) /IP69	Connection cross section solid:	0,25 mm ² - 2,5 mm ²
Terminations per pole:	1	Additional technical data, see facts & data.	
Lockable:	self-locking (unlocking by hand)		

female



male



standard, straight

Color of coding	Application	Marking of poles	female Art.No.	male Art.No.
■ black	250/400 V with PE	1, 2, 3, PE	46.051.5054.1	46.052.5054.1
□ light grey	250/400 V with PE	1, 2, 3, PE	46.051.5054.0	46.052.5054.0
■ signal brown	~50/-120 V	1, 2, 3, 4	46.051.5051.4	46.052.5051.4

RST16I4, DISTRIBUTOR, 4-POLE

TECHNICAL DATA

Rated current:	16 A	Lockable:	self-locking (unlocking by hand)
Degree of protection (IP):	IP66/68 (3m;2h) /IP69	Additional technical data, see facts & data.	



distribution block 1I / 20, parallel connection, with fastening option to 06.562.5853.0 / 06.562.5853.1

Color of coding	Application	Marking of poles	Art.No.
■ black	250/400 V with PE	1, 2, 3, PE	46.050.1254.1
□ light grey	250/400 V with PE	1, 2, 3, PE	46.050.1254.0
■ signal brown	~50/-120 V	1, 2, 3, 4	46.050.1251.4



compact distributor 1I / 30, parallel connection, with fastening option

Color of coding	Application	Marking of poles	Art.No.
■ black	250/400 V with PE	1, 2, 3, PE	46.050.0154.1
□ light grey	250/400 V with PE	1, 2, 3, PE	46.050.0154.0
■ signal brown	~50/-120 V	1, 2, 3, 4	46.050.0151.4

RST16I5, CONNECTOR, 5-POLE

SCREW CONNECTION

TECHNICAL DATA

Rated current:	16 A	Cross section fine-stranded:	0,25 mm ² - 2,5 mm ²
Degree of protection (IP):	IP66/68 (3m;2h) /IP69	Connection cross section solid:	0,25 mm ² - 2,5 mm ²
Terminations per pole:	1	Additional technical data, see facts & data.	
Lockable:	self-locking (unlocking by hand)		

female

male



straight, for cables Ø 7.1-13 mm

Color of coding	Application	Marking of poles	female Art.No.	male Art.No.
■ black	250/400 V with PE	1, 2, 3, N, PE	46.051.4553.1	46.052.4553.1
□ light grey	250/400 V with PE	1, 2, 3, N, PE	46.051.4553.0	46.052.4553.0
■ light blue	250/400 V	1, 2, 3, 4, 5	46.051.4553.9	46.052.4553.9
■ turquoise blue	250 V with PE	L, N, PE, 1, 2	46.051.4553.6	46.052.4553.6
■ signal brown	~50/-120 V	1, 2, 3, 4, 5	46.051.4550.4	46.052.4550.4

female

male



straight, for cables Ø 10-14.5 mm

Color of coding	Application	Marking of poles	female Art.No.	male Art.No.
■ black	250/400 V with PE	1, 2, 3, N, PE	46.051.4153.1	46.052.4153.1
□ light grey	250/400 V with PE	1, 2, 3, N, PE	46.051.4153.0	46.052.4153.0
■ light blue	250/400 V	1, 2, 3, 4, 5	46.051.4153.9	46.052.4153.9
■ turquoise blue	250 V with PE	L, N, PE, 1, 2	46.051.4153.6	46.052.4153.6
■ signal brown	~50/-120 V	1, 2, 3, 4, 5	46.051.4150.4	46.052.4150.4

RST16I5, DEVICE CONNECTOR, M20, 5-POLE

SPRING CLAMP CONNECTION

TECHNICAL DATA

Rated current:	16 A	Cross section fine-stranded:	0,5 mm ² - 2,5 mm ²
Degree of protection (IP):	IP66/68 (3m;2h) /IP69	Connection cross section solid:	0,5 mm ² - 2,5 mm ²
Terminations per pole:	2	Additional technical data, see facts & data.	
Lockable:	self-locking (unlocking by hand)		

female

male



modular, straight, with longitudinal sealing

Color of coding	Application	Marking of poles	female Art.No.	male Art.No.
■ black	250/400 V with PE	1, 2, 3, N, PE	46.051.M0L0.1	46.052.M0L0.1
□ light grey	250/400 V with PE	1, 2, 3, N, PE	46.051.M0L0.0	46.052.M0L0.0
■ light blue	250/400 V	1, 2, 3, 4, 5	46.051.M0L0.9	46.052.M0L0.9
■ turquoise blue	250 V with PE	L, N, PE, 1, 2	46.051.M0L0.6	46.052.M0L0.6
■ signal brown	~50/-120 V	1, 2, 3, 4, 5	46.051.M0L0.4	46.052.M0L0.4

female

male



modular, straight

Color of coding	Application	Marking of poles	female Art.No.	male Art.No.
■ black	250/400 V with PE	1, 2, 3, N, PE	46.051.M053.1	46.052.M053.1
□ light grey	250/400 V with PE	1, 2, 3, N, PE	46.051.M053.0	46.052.M053.0
■ light blue	250/400 V	1, 2, 3, 4, 5	46.051.M053.9	46.052.M053.9
■ turquoise blue	250 V with PE	L, N, PE, 1, 2	46.051.M053.6	46.052.M053.6
■ signal brown	~50/-120 V	1, 2, 3, 4, 5	46.051.M050.4	46.052.M050.4

RST16I5, DEVICE CONNECTOR, M20,2, 5-POLE

SCREW CONNECTION

TECHNICAL DATA

Rated current:	16 A	Cross section fine-stranded:	0,25 mm ² - 2,5 mm ²
Degree of protection (IP):	IP66/68 (3m;2h) /IP69	Connection cross section solid:	0,25 mm ² - 2,5 mm ²
Terminations per pole:	1	Additional technical data, see facts & data.	
Lockable:	self-locking (unlocking by hand)		

female



male



standard, straight

Color of coding	Application	Marking of poles	female Art.No.	male Art.No.
■ black	250/400 V with PE	1, 2, 3, N, PE	46.051.5053.1	46.052.5053.1
□ light grey	250/400 V with PE	1, 2, 3, N, PE	46.051.5053.0	46.052.5053.0
■ light blue	250/400 V	1, 2, 3, 4, 5	46.051.5053.9	46.052.5053.9
■ turquoise blue	250 V with PE	L, N, PE, 1, 2	46.051.5053.6	46.052.5053.6
■ signal brown	~50/-120 V	1, 2, 3, 4, 5	46.051.5050.4	46.052.5050.4

RST16I5, DISTRIBUTOR, 5-POLE

TECHNICAL DATA

Rated current:	16 A	Lockable:	self-locking (unlocking by hand)
Degree of protection (IP):	IP66/68 (3m;2h) /IP69	Additional technical data, see facts & data.	



distribution block 1I / 20, parallel connection, with fastening option to 06.562.5853.0 / 06.562.5853.1

Color of coding	Application	Marking of poles	Art.No.
■ black	250/400 V with PE	1, 2, 3, N, PE	46.050.1253.1
□ light grey	250/400 V with PE	1, 2, 3, N, PE	46.050.1253.0
■ light blue	250/400 V	1, 2, 3, 4, 5	46.050.1253.9
■ turquoise blue	250 V with PE	L, N, PE, 1, 2	46.050.1253.6
■ signal brown	~50/-120 V	1, 2, 3, 4, 5	46.050.1250.4



compact distributor 1I / 30, parallel connection, with fastening option

Color of coding	Application	Marking of poles	Art.No.
■ black	250/400 V with PE	1, 2, 3, N, PE	46.050.0153.1
□ light grey	250/400 V with PE	1, 2, 3, N, PE	46.050.0153.0
■ light blue	250/400 V	1, 2, 3, 4, 5	46.050.0153.9
■ turquoise blue	250 V with PE	L, N, PE, 1, 2	46.050.0153.6
■ signal brown	~50/-120 V	1, 2, 3, 4, 5	46.050.0150.4

RST16I5, CABLE ASSEMBLY, 5-POLE

1.5 mm², 16 A



TECHNICAL DATA

Rated current: 16 A
 Degree of protection (IP): IP66/68 (3m;2h) /IP69
 Lockable: self-locking (unlocking by hand)

type of construction: Cable screw gland
 Additional technical data, see facts & data.

connecting cable, female - male

Cable color: black
 Color of coding: black
 Application: 250/400 V with PE
 Marking of poles: 1, 2, 3, N, PE

Cable color: black
 Color of coding: turquoise blue
 Application: 250 V with PE
 Marking of poles: L, N, PE, 1, 2

Length (m)	H07RN-F halogenated	H05VV-F halogenated Eca	H05Z1Z1-F halogen free B2ca s1 d1 a1
	Art.No.	Art.No.	Art.No.
	■ black	■ black	■ black
0.5	46.452.0530.1	46.452.0500.1	
1	46.452.1030.1	46.452.1000.1	46.452.10B0.1
2	46.452.2030.1	46.452.2000.1	46.452.20B0.1
3	46.452.3030.1	46.452.3000.1	
4	46.452.4030.1	46.452.4000.1	
5	46.452.5030.1	46.452.5000.1	
	■ black	■ black	■ black
0.5	46.452.0530.6	46.452.0500.6	
1	46.452.1030.6	46.452.1000.6	46.452.10B0.6
2	46.452.2030.6	46.452.2000.6	46.452.20B0.6
3	46.452.3030.6	46.452.3000.6	
4	46.452.4030.6	46.452.4000.6	
5	46.452.5030.6	46.452.5000.6	

connecting cable, female - male

Cable color: black
 Color of coding: black
 Application: 250/400 V with PE
 Marking of poles: 1, 2, 3, N, PE

Cable color: black
 Color of coding: turquoise blue
 Application: 250 V with PE
 Marking of poles: L, N, PE, 1, 2

Length (m)	H05Z1Z1-F halogen free Cca s1 d1 a1	H05Z1Z1-F halogen free Dca s1 d2 a1	H05Z1Z1-F halogen free Eca
	Art.No.	Art.No.	Art.No.
	■ black	■ black	■ black
0.5			46.452.0560.1
1	46.452.10C0.1	46.452.10D0.1	46.452.1060.1
2	46.452.20C0.1	46.452.20D0.1	46.452.2060.1
3			46.452.3060.1
4			46.452.4060.1
5			46.452.5060.1
	■ black	■ black	■ black
0.5			46.452.0560.6
1	46.452.10C0.6	46.452.10D0.6	46.452.1060.6
2	46.452.20C0.6	46.452.20D0.6	46.452.2060.6
3	46.452.30C0.6		46.452.3060.6
4	46.452.40C0.6		46.452.4060.6
5	46.452.50C0.6		46.452.5060.6

RST16I5, CABLE ASSEMBLY, 5-POLE

1.5 mm², 16 A



TECHNICAL DATA

Rated current:	16 A	Preparation of conductor ends:	ultrasonically compressed wire ends
Degree of protection (IP):	IP66/68 (3m;2h) /IP69	type of construction:	Cable screw gland
Lockable:	self-locking (unlocking by hand)	Additional technical data, see facts & data.	

connection cable, female - free end

Cable color: black
 Color of coding: ■ black
 Application: 250/400 V with PE
 Marking of poles: 1, 2, 3, N, PE

Cable color: turquoise blue
 Color of coding: ■ turquoise blue
 Application: 250 V with PE
 Marking of poles: L, N, PE, 1, 2

Length (m)	H07RN-F halogenated	H05VV-F halogenated Eca	H05Z1Z1-F halogen free B2ca s1 d1 a1
	Art.No.	Art.No.	Art.No.
0.5	■ black 46.452.0533.1	■ black 46.452.0503.1	■ black
1	46.452.1033.1	46.452.1003.1	46.452.10B3.1
2	46.452.2033.1	46.452.2003.1	46.452.20B3.1
3	46.452.3033.1	46.452.3003.1	
4	46.452.4033.1	46.452.4003.1	
5	46.452.5033.1	46.452.5003.1	
6	46.452.6033.1	46.452.6003.1	
0.5	■ black 46.452.0533.6	■ black 46.452.0503.6	■ black
1	46.452.1033.6	46.452.1003.6	46.452.10B3.6
2	46.452.2033.6	46.452.2003.6	46.452.20B3.6
3	46.452.3033.6	46.452.3003.6	
4	46.452.4033.6	46.452.4003.6	
5	46.452.5033.6	46.452.5003.6	



connection cable, female - free end

Cable color: black
 Color of coding: ■ black
 Application: 250/400 V with PE
 Marking of poles: 1, 2, 3, N, PE

Cable color: turquoise blue
 Color of coding: ■ turquoise blue
 Application: 250 V with PE
 Marking of poles: L, N, PE, 1, 2

Length (m)	H05Z1Z1-F halogen free Cca s1 d1 a1	H05Z1Z1-F halogen free Dca s1 d2 a1	H05Z1Z1-F halogen free Eca
	Art.No.	Art.No.	Art.No.
0.5	■ black 46.452.10C3.1	■ black 46.452.10D3.1	■ black 46.452.0563.1
1	46.452.10C3.1	46.452.10D3.1	46.452.1063.1
2	46.452.20C3.1	46.452.20D3.1	46.452.2063.1
3			46.452.3063.1
4			46.452.4063.1
5			46.452.5063.1
6			
0.5	■ black 46.452.10C3.6	■ black 46.452.10D3.6	■ black 46.452.0563.6
1	46.452.10C3.6	46.452.10D3.6	46.452.1063.6
2	46.452.20C3.6	46.452.20D3.6	46.452.2063.6
3			46.452.3063.6
4			46.452.4063.6
5			46.452.5063.6

RST® MINI

RST16I5, CABLE ASSEMBLY, 5-POLE

1.5 mm², 16 A



TECHNICAL DATA

Rated current:	16 A	Preparation of conductor ends:	ultrasonically compressed wire ends
Degree of protection (IP):	IP66/68 (3m;2h) /IP69	type of construction:	Cable screw gland
Lockable:	self-locking (unlocking by hand)	Additional technical data, see facts & data.	

connection cable, male - free end

Cable color: black
 Color of coding: ■ black
 Application: 250/400 V with PE
 Marking of poles: 1, 2, 3, N, PE

Cable color: black
 Color of coding: ■ black
 Application: 250 V with PE
 Marking of poles: L, N, PE, 1, 2

Length (m)	H07RN-F halogenated	H05VV-F halogenated Eca	H05Z1Z1-F halogen free B2ca s1 d1 a1
	Art.No.	Art.No.	Art.No.
	■ black	■ black	■ black
0.5	46.452.0534.1		
1	46.452.1034.1	46.452.1004.1	46.452.10B4.1
2	46.452.2034.1	46.452.2004.1	46.452.20B4.1
3	46.452.3034.1	46.452.3004.1	
4	46.452.4034.1	46.452.4004.1	
5	46.452.5034.1	46.452.5004.1	
	■ black	■ black	■ black
0.5	46.452.0534.6	46.452.0504.6	
1	46.452.1034.6	46.452.1004.6	46.452.10B4.6
2	46.452.2034.6	46.452.2004.6	46.452.20B4.6
3	46.452.3034.6	46.452.3004.6	
4	46.452.4034.6	46.452.4004.6	
5	46.452.5034.6	46.452.5004.6	



connection cable, male - free end

Cable color: black
 Color of coding: ■ black
 Application: 250/400 V with PE
 Marking of poles: 1, 2, 3, N, PE

Cable color: black
 Color of coding: ■ black
 Application: 250 V with PE
 Marking of poles: L, N, PE, 1, 2

Length (m)	H05Z1Z1-F halogen free Cca s1 d1 a1	H05Z1Z1-F halogen free Dca s1 d2 a1	H05Z1Z1-F halogen free Eca
	Art.No.	Art.No.	Art.No.
	■ black	■ black	■ black
0.5			46.452.0564.1
1	46.452.10C4.1	46.452.10D4.1	46.452.1064.1
2	46.452.20C4.1	46.452.20D4.1	46.452.2064.1
3			46.452.3064.1
4			46.452.4064.1
5			46.452.5064.1
	■ black	■ black	■ black
0.5	46.452.05C4.6		46.452.0564.6
1	46.452.10C4.6	46.452.10D4.6	46.452.1064.6
2	46.452.20C4.6	46.452.20D4.6	46.452.2064.6
3			46.452.3064.6
4			46.452.4064.6
5			46.452.5064.6

RST16I5, CABLE ASSEMBLY, 5-POLE

2.5 mm², 16 A



TECHNICAL DATA

Rated current: 16 A
 Degree of protection (IP): IP66/68 (3m;2h) /IP69
 Lockable: self-locking (unlocking by hand)

type of construction: Cable screw gland
 Additional technical data, see facts & data.

connecting cable, female - male

Cable color: black
 Color of coding: black
 Application: 250/400 V with PE
 Marking of poles: 1, 2, 3, N, PE

Cable color: turquoise blue
 Color of coding: turquoise blue
 Application: 250 V with PE
 Marking of poles: L, N, PE, 1, 2

Length (m)	H07RN-F halogenated	H05VV-F halogenated Eca	H05Z1Z1-F halogen free Eca
	Art.No.	Art.No.	Art.No.
	■ black	■ black	
1	46.453.1030.1	46.453.1000.1	
2	46.453.2030.1	46.453.2000.1	
3	46.453.3030.1	46.453.3000.1	
4	46.453.4030.1	46.453.4000.1	
5	46.453.5030.1	46.453.5000.1	
6	46.453.6030.1	46.453.6000.1	
7	46.453.7030.1	46.453.7000.1	
8	46.453.8030.1	46.453.8000.1	
	■ black	■ black	■ black
1	46.453.1030.6	46.453.1000.6	46.453.1060.6
2	46.453.2030.6	46.453.2000.6	46.453.2060.6
3	46.453.3030.6	46.453.3000.6	46.453.3060.6
4	46.453.4030.6	46.453.4000.6	46.453.4060.6
5	46.453.5030.6	46.453.5000.6	46.453.5060.6
6	46.453.6030.6	46.453.6000.6	46.453.6060.6
7	46.453.7030.6	46.453.7000.6	46.453.7060.6
8	46.453.8030.6	46.453.8000.6	46.453.8060.6



TECHNICAL DATA

Rated current: 16 A
 Degree of protection (IP): IP66/68 (3m;2h) /IP69
 Lockable: self-locking (unlocking by hand)

Preparation of conductor ends: ultrasonically compressed wire ends
 type of construction: Cable screw gland
 Additional technical data, see facts & data.

connection cable, female - free end

Cable color: black
 Color of coding: black
 Application: 250/400 V with PE
 Marking of poles: 1, 2, 3, N, PE

Cable color: turquoise blue
 Color of coding: turquoise blue
 Application: 250 V with PE
 Marking of poles: L, N, PE, 1, 2

Length (m)	H07RN-F halogenated	H05VV-F halogenated Eca	H05Z1Z1-F halogen free Eca
	Art.No.	Art.No.	Art.No.
	■ black	■ black	
1	46.453.1033.1	46.453.1003.1	
2	46.453.2033.1	46.453.2003.1	
3	46.453.3033.1	46.453.3003.1	
4	46.453.4033.1	46.453.4003.1	
5	46.453.5033.1	46.453.5003.1	
6	46.453.6033.1	46.453.6003.1	
7	46.453.7033.1	46.453.7003.1	
8	46.453.8033.1	46.453.8003.1	
	■ black	■ black	■ black
1	46.453.1033.6	46.453.1003.6	46.453.1063.6
2	46.453.2033.6	46.453.2003.6	46.453.2063.6
3	46.453.3033.6	46.453.3003.6	46.453.3063.6
4	46.453.4033.6	46.453.4003.6	46.453.4063.6
5	46.453.5033.6	46.453.5003.6	46.453.5063.6
6	46.453.6033.6	46.453.6003.6	46.453.6063.6
7	46.453.7033.6	46.453.7003.6	46.453.7063.6
8	46.453.8033.6	46.453.8003.6	46.453.8063.6

RST® MINI

RST16I5, CABLE ASSEMBLY, 5-POLE

2.5 mm², 16 A



TECHNICAL DATA

Rated current:	16 A	Preparation of conductor ends:	ultrasonically compressed wire ends
Degree of protection (IP):	IP66/68 (3m;2h) /IP69	type of construction:	Cable screw gland
Lockable:	self-locking (unlocking by hand)	Additional technical data, see facts & data.	

connection cable, male - free end

Cable color: black
 Color of coding: ■ black
 Application: 250/400 V with PE
 Marking of poles: 1, 2, 3, N, PE

Cable color: turquoise blue
 Color of coding: ■ turquoise blue
 Application: 250 V with PE
 Marking of poles: L, N, PE, 1, 2

Length (m)	H07RN-F halogenated	H05VV-F halogenated Eca	H05Z1Z1-F halogen free Eca
	Art.No.	Art.No.	Art.No.
	■ black	■ black	
1	46.453.1034.1	46.453.1004.1	
2	46.453.2034.1	46.453.2004.1	
3	46.453.3034.1	46.453.3004.1	
4	46.453.4034.1	46.453.4004.1	
5	46.453.5034.1	46.453.5004.1	
6	46.453.6034.1	46.453.6004.1	
7	46.453.7034.1	46.453.7004.1	
8	46.453.8034.1	46.453.8004.1	
	■ black	■ black	■ black
1	46.453.1034.6	46.453.1004.6	46.453.1064.6
2	46.453.2034.6	46.453.2004.6	46.453.2064.6
3	46.453.3034.6	46.453.3004.6	46.453.3064.6
4	46.453.4034.6	46.453.4004.6	46.453.4064.6
5	46.453.5034.6	46.453.5004.6	46.453.5064.6
6	46.453.6034.6	46.453.6004.6	46.453.6064.6
7	46.453.7034.6	46.453.7004.6	46.453.7064.6
8	46.453.8034.6	46.453.8004.6	46.453.8064.6

RST16, ACCESSORIES



cover piece for 2-/3-pole, captive against loss, for female

Color	Art.No.
■ black	06.563.8753.1
□ light grey	06.563.8753.0



cover piece for 2-/3-pole, captive against loss, for male

Color	Art.No.
■ black	06.563.8953.1
□ light grey	06.563.8953.0



cover piece for 2-/3-pole, not captive against loss, for female

Color	Art.No.
■ black	06.563.8653.1
□ light grey	06.563.8653.0



cover piece for 2-/3-pole, not captive against loss, for male

Color	Art.No.
■ black	06.563.8853.1
□ light grey	06.563.8853.0



cover piece for 4-/5-pole, captive against loss, for female

Color	Art.No.
■ black	06.563.9153.1
□ light grey	06.563.9153.0



cover piece for 4-/5-pole, captive against loss, for male

Color	Art.No.
■ black	06.563.9353.1
□ light grey	06.563.9353.0



cover piece for 4-/5-pole, not captive against loss, for female

Color	Art.No.
■ black	06.563.9053.1
□ light grey	06.563.9053.0

RST16, ACCESSORIES



cover piece for 4-/5-pole, not captive against loss, for male

Color	Art.No.
■ black	06.563.9253.1
□ light grey	06.563.9253.0



Spare sealing, Ø 5,0 - 9,5 mm

Color	Art.No.
■ black	06.562.0583.0



Spare sealing, Ø 7,1 - 13 mm

Color	Art.No.
■ black	06.561.8383.0



mounting panel, for distribution block

Color	Art.No.
■ black	06.562.5853.1
□ light grey	06.562.5853.0



sample case, RST16 Spring clamp connection MOLA

Art.No.
99.441.0000.1



sample case, RST16i3

Art.No.
99.438.0000.1



sample case, RST16i5

Art.No.
99.675.0000.0

RST16, ACCESSORIES



sample case, SMI

Art.No.

99.688.0000.0

RST® CLASSIC

The all-rounder with the most extensive range.



FEATURES

- + 2-pole to 7-pole
- + 20 A rated current
- + Mechanical + color coding
- + Applications in protection class II and extra-low voltage sector for industry and LED technology

RST20i2



Mechanical coding (view on connector interface female)	black	light gray	leaf green	pebble gray	signal brown
Operating voltage (application)	250 V	250 V	250 V	~50/-120 V	~50/-120 V
Marking of poles	L, N	L, N	L, N	+, -	1, 2

RST20i3



Mechanical coding (view on connector interface female)	black	light gray	leaf green	light blue	signal brown
Operating voltage (application)	250 V with PE	250 V with PE	250/400 V with PE	250/400 V	~50/-120 V with PE
Marking of poles	L, N, PE	L, N, PE	1, 2, PE	1, 2, 3	1, 2, PE

RST20i4



Mechanical coding (view on connector interface female)	black	light gray	signal brown
Operating voltage (application)	250/400 V with PE	250/400 V with PE	~50/-120 V
Marking of poles	1, 2, 3, PE	1, 2, 3, PE	1, 2, 3, 4

RST20i5



Mechanical coding (view on connector interface female)	black	light gray	turquoise	light blue	pebble gray	signal brown
Operating voltage (application)	250/400 V with PE	250/400 V with PE	250 V with PE	250/400 V	250/400 V	~50/-120 V
Marking of poles	1, 2, 3, N, PE	1, 2, 3, N, PE	D1, D2, L, PE, N	1, 2, 3, 4, 5	N, E, 1, 2, 3	1, 2, 3, 4, 5

RST20i6



Mechanical coding (view on connector interface female)	turquoise
Operating voltage (application)	250/400 V with PE
Marking of poles	L, N, PE, 1, 2, Ls

RST20i7



Mechanical coding (view on connector interface female)	black	light gray	turquoise	light blue
Operating voltage (application)	250/400 V with PE	250/400 V with PE	250/400 V with PE	250/400 V
Marking of poles	1, 2, 3, 4/N, 5, 6, PE	1, 2, 3, 4/N, 5, 6, PE	L, N, PE, 1, 2, 3, 4	1, 2, 3, 4/N, 5, 6, 7

RST25i3



Mechanical coding (view on connector interface female)	concrete gray
Operating voltage (application)	250 V with PE
Marking of poles	L, N, PE

RST25i5



Mechanical coding (view on connector interface female)	concrete gray
Operating voltage (application)	250/400 V with PE
Marking of poles	L, N, PE, 1, 2

RST20I2, CONNECTOR, 2-POLE

SCREW CONNECTION

TECHNICAL DATA

Rated current:	20 A	Cross section fine-stranded:	0,75 mm ² - 6 mm ²
Degree of protection (IP):	IP66/68 (3m;2h) /IP69	Connection cross section solid:	0,75 mm ² - 6 mm ²
Terminations per pole:	1	Additional technical data, see facts & data.	
Lockable:	self-locking (unlocking by tool)		

female



male



straight, for cables Ø 6-10 mm

Color of coding	Application	Marking of poles	female Art.No.	male Art.No.
■ black	250 V	L, N	96.021.4053.1	96.022.4053.1
□ light grey	250 V	L, N	96.021.4053.0	96.022.4053.0
■ leaves green	250 V	1, 2	96.021.4055.7	96.022.4055.7
■ pebble grey	~50/-120 V	+, -	96.021.4050.8	96.022.4050.8
■ signal brown	~50/-120 V	1, 2	96.021.4051.4	96.022.4051.4

female



male



straight, for cables Ø 10-14 mm

Color of coding	Application	Marking of poles	female Art.No.	male Art.No.
■ black	250 V	L, N	96.021.4153.1	96.022.4153.1
□ light grey	250 V	L, N	96.021.4153.0	96.022.4153.0
■ leaves green	250 V	1, 2	96.021.4155.7	96.022.4155.7
■ pebble grey	~50/-120 V	+, -	96.021.4150.8	96.022.4150.8
■ signal brown	~50/-120 V	1, 2	96.021.4151.4	96.022.4151.4

female



male



straight, for AS-i profile cable

Color of coding	Application	Marking of poles	female Art.No.	male Art.No.
■ pebble grey	~50/-120 V	+, -	96.021.4950.8	96.022.4950.8
■ signal brown	~50/-120 V	1, 2	96.021.4951.4	96.022.4951.4

female



male



straight, for illumination cable

Color of coding	Application	Marking of poles	female Art.No.	male Art.No.
■ black	250 V	L, N	96.021.4453.1	96.022.4453.1
□ light grey	250 V	L, N	96.021.4453.0	96.022.4453.0
■ signal brown	~50/-120 V	1, 2	96.021.4451.4	96.022.4451.4

male



straight, for pole socket, for cables Ø 6-10 mm

Color of coding	Application	Marking of poles	male Art.No.
■ black	250 V	L, N	99.592.0000.7

male



straight, for pole socket, for illumination cable

Color of coding	Application	Marking of poles	male Art.No.
■ black	250 V	L, N	99.593.0000.7

RST20I2, CONNECTOR, 2-POLE

SCREW CONNECTION

TECHNICAL DATA

Rated current:	20 A	Cross section fine-stranded:	0,75 mm ² - 6 mm ²
Degree of protection (IP):	IP66/68 (3m;2h) /IP69	Connection cross section solid:	0,75 mm ² - 6 mm ²
Terminations per pole:	1	Additional technical data, see facts & data.	
Lockable:	self-locking (unlocking by tool)		

female



male



angled 90°, for cables Ø 6-10 mm

Color of coding	Application	Marking of poles	female Art.No.	male Art.No.
■ black	250 V	L, N	96.023.4053.1	96.024.4053.1
□ light grey	250 V	L, N	96.023.4053.0	96.024.4053.0
■ pebble grey	~50/-120 V	+, -	96.023.4050.8	96.024.4050.8
■ signal brown	~50/-120 V	1, 2	96.023.4051.4	96.024.4051.4

female



male



angled 90°, for cables Ø 10-14 mm

Color of coding	Application	Marking of poles	female Art.No.	male Art.No.
■ black	250 V	L, N	96.023.4153.1	96.024.4153.1
□ light grey	250 V	L, N	96.023.4153.0	96.024.4153.0
■ pebble grey	~50/-120 V	+, -	96.023.4150.8	96.024.4150.8
■ signal brown	~50/-120 V	1, 2	96.023.4151.4	96.024.4151.4

female



male



angled 90°, for AS-i profile cable

Color of coding	Application	Marking of poles	female Art.No.	male Art.No.
■ pebble grey	~50/-120 V	+, -	96.023.4950.8	96.024.4950.8
■ signal brown	~50/-120 V	1, 2	96.023.4951.4	96.024.4951.4

female



splitter connector, for cables Ø 6-10 mm

Color of coding	Application	Marking of poles	female Art.No.
■ black	250 V	L, N	96.021.4253.1*
□ light grey	250 V	L, N	96.021.4253.0*
■ pebble grey	~50/-120 V	+, -	96.021.4250.8*
■ signal brown	~50/-120 V	1, 2	96.021.4251.4*

female



male



splitter connector, for cables Ø 10-14 mm

Color of coding	Application	Marking of poles	female Art.No.	male Art.No.
■ black	250 V	L, N	96.021.4353.1*	
□ light grey	250 V	L, N	96.021.4353.0*	
■ pebble grey	~50/-120 V	+, -		96.022.4350.8*
■ signal brown	~50/-120 V	1, 2	96.021.4351.4*	

*) Alternative technical data, see facts & data.

RST20I2, CONNECTOR, 2-POLE

SPRING CLAMP CONNECTION

TECHNICAL DATA			
Rated current:	20 A	Cross section fine-stranded:	0,5 mm ² - 1,5 mm ²
Degree of protection (IP):	IP66/68 (3m;2h) /IP69	Connection cross section solid:	0,5 mm ² - 2,5 mm ²
Terminations per pole:	2	Additional technical data, see facts & data.	
Lockable:	self-locking (unlocking by tool)		

female



male



straight, for cables Ø 6-10 mm

Color of coding	Application	Marking of poles	female Art.No.	male Art.No.
■ black	250 V	L, N	96.021.0053.1	96.022.0053.1
□ light grey	250 V	L, N	96.021.0053.0	96.022.0053.0
■ pebble grey	~50/-120 V	+, -	96.021.0050.8	96.022.0050.8
■ signal brown	~50/-120 V	1, 2	96.021.0051.4	96.022.0051.4

female



male



straight, for cables Ø 10-14 mm

Color of coding	Application	Marking of poles	female Art.No.	male Art.No.
■ black	250 V	L, N	96.021.0153.1	96.022.0153.1
□ light grey	250 V	L, N	96.021.0153.0	96.022.0153.0
■ pebble grey	~50/-120 V	+, -	96.021.0150.8	96.022.0150.8
■ signal brown	~50/-120 V	1, 2	96.021.0151.4	96.022.0151.4

female



male



straight, for AS-i profile cable

Color of coding	Application	Marking of poles	female Art.No.	male Art.No.
■ pebble grey	~50/-120 V	+, -	96.021.0950.8	96.022.0950.8
■ signal brown	~50/-120 V	1, 2	96.021.0951.4	96.022.0951.4

female



male



straight, for illumination cable

Color of coding	Application	Marking of poles	female Art.No.	male Art.No.
■ black	250 V	L, N	96.021.0453.1	96.022.0453.1
□ light grey	250 V	L, N	96.021.0453.0	96.022.0453.0

female



male



angled 90°, for cables Ø 6-10 mm

Color of coding	Application	Marking of poles	female Art.No.	male Art.No.
■ black	250 V	L, N	96.023.0053.1	96.024.0053.1
□ light grey	250 V	L, N	96.023.0053.0	96.024.0053.0
■ pebble grey	~50/-120 V	+, -	96.023.0050.8	96.024.0050.8
■ signal brown	~50/-120 V	1, 2	96.023.0051.4	96.024.0051.4

female



male



angled 90°, for cables Ø 10-14 mm

Color of coding	Application	Marking of poles	female Art.No.	male Art.No.
■ black	250 V	L, N	96.023.0153.1	96.024.0153.1
□ light grey	250 V	L, N	96.023.0153.0	96.024.0153.0
■ pebble grey	~50/-120 V	+, -	96.023.0150.8	96.024.0150.8
■ signal brown	~50/-120 V	1, 2	96.023.0151.4	96.024.0151.4

RST20I2, CONNECTOR, 2-POLE

SPRING CLAMP CONNECTION

TECHNICAL DATA			
Rated current:	20 A	Cross section fine-stranded:	0,5 mm ² - 1,5 mm ²
Degree of protection (IP):	IP66/68 (3m;2h) /IP69	Connection cross section solid:	0,5 mm ² - 2,5 mm ²
Terminations per pole:	2	Additional technical data, see facts & data.	
Lockable:	self-locking (unlocking by tool)		

female



male



angled 90°, for AS-i profile cable

Color of coding	Application	Marking of poles	female Art.No.	male Art.No.
■ pebble grey	~50/-120 V	+, -	96.023.0950.8	96.024.0950.8
■ signal brown	~50/-120 V	1, 2	96.023.0951.4	96.024.0951.4

female



male



splitter connector, for cables Ø 6-10 mm

Color of coding	Application	Marking of poles	female Art.No.	male Art.No.
■ black	250 V	L, N	96.021.0253.1	96.022.0253.1
□ light grey	250 V	L, N	96.021.0253.0	
■ pebble grey	~50/-120 V	+, -	96.021.0250.8	
■ signal brown	~50/-120 V	1, 2	96.021.0251.4	

female



male



splitter connector, for cables Ø 10-14 mm

Color of coding	Application	Marking of poles	female Art.No.	male Art.No.
■ black	250 V	L, N	96.021.0353.1	
□ light grey	250 V	L, N	96.021.0353.0	
■ pebble grey	~50/-120 V	+, -		96.022.0350.8
■ signal brown	~50/-120 V	1, 2	96.021.0351.4	

RST20I2, DEVICE CONNECTOR, M16, 2-POLE

SCREW CONNECTION

TECHNICAL DATA		
Rated current:	20 A	Cross section fine-stranded:
Degree of protection (IP):	IP66/68 (3m;2h) /IP69	Connection cross section solid:
Terminations per pole:	1	Additional technical data, see facts & data.
Lockable:	self-locking (unlocking by tool)	

female



male



modular, straight

Color of coding	Application	Marking of poles	female Art.No.	male Art.No.
■ black	250 V	L, N	96.021.6153.1	96.022.6153.1
□ light grey	250 V	L, N	96.021.6153.0	96.022.6153.0
■ pebble grey	~50/-120 V	+, -	96.021.6150.8	96.022.6150.8
■ signal brown	~50/-120 V	1, 2	96.021.6151.4	96.022.6151.4

female



male



modular, angled 7°

Color of coding	Application	Marking of poles	female Art.No.	male Art.No.
■ black	250 V	L, N	96.025.6153.1	96.026.6153.1
□ light grey	250 V	L, N	96.025.6153.0	96.026.6153.0

SPRING CLAMP CONNECTION

TECHNICAL DATA		
Rated current:	20 A	Cross section fine-stranded:
Degree of protection (IP):	IP66/68 (3m;2h) /IP69	Connection cross section solid:
Terminations per pole:	2	Additional technical data, see facts & data.
Lockable:	self-locking (unlocking by tool)	

female



male



modular, straight

Color of coding	Application	Marking of poles	female Art.No.	male Art.No.
■ black	250 V	L, N	96.021.2153.1	96.022.2153.1
□ light grey	250 V	L, N	96.021.2153.0	96.022.2153.0
■ pebble grey	~50/-120 V	+, -	96.021.2150.8	96.022.2150.8
■ signal brown	~50/-120 V	1, 2	96.021.2151.4	96.022.2151.4

female



male



modular, angled 7°

Color of coding	Application	Marking of poles	female Art.No.	male Art.No.
■ black	250 V	L, N	96.025.2153.1	96.026.2153.1
□ light grey	250 V	L, N	96.025.2153.0	96.026.2153.0

RST20I2, DEVICE CONNECTOR, M20, 2-POLE

SCREW CONNECTION

TECHNICAL DATA		
Rated current:	20 A	Cross section fine-stranded: 0,75 mm ² - 6 mm ²
Degree of protection (IP):	IP66/68 (3m;2h) /IP69	ded:
Terminations per pole:	1	Connection cross section solid: 0,75 mm ² - 6 mm ²
Lockable:	self-locking (unlocking by tool)	Additional technical data, see facts & data.

female



male



modular, straight

Color of coding	Application	Marking of poles	female Art.No.	male Art.No.
■ black	250 V	L, N	96.021.6053.1	96.022.6053.1
□ light grey	250 V	L, N	96.021.6053.0	96.022.6053.0
■ pebble grey	~50/-120 V	+, -	96.021.6050.8	96.022.6050.8
■ signal brown	~50/-120 V	1, 2	96.021.6051.4	96.022.6051.4

female



male



modular, angled 90°

Color of coding	Application	Marking of poles	female Art.No.	male Art.No.
■ black	250 V	L, N	96.023.6053.1	96.024.6053.1
□ light grey	250 V	L, N	96.023.6053.0	96.024.6053.0
■ pebble grey	~50/-120 V	+, -	96.023.6050.8	96.024.6050.8
■ signal brown	~50/-120 V	1, 2	96.023.6051.4	96.024.6051.4

SPRING CLAMP CONNECTION

TECHNICAL DATA		
Rated current:	20 A	Cross section fine-stranded: 0,5 mm ² - 1,5 mm ²
Degree of protection (IP):	IP66/68 (3m;2h) /IP69	ded:
Terminations per pole:	2	Connection cross section solid: 0,5 mm ² - 2,5 mm ²
Lockable:	self-locking (unlocking by tool)	Additional technical data, see facts & data.

female



male



modular, straight

Color of coding	Application	Marking of poles	female Art.No.	male Art.No.
■ black	250 V	L, N	96.021.2053.1	96.022.2053.1
□ light grey	250 V	L, N	96.021.2053.0	96.022.2053.0
■ pebble grey	~50/-120 V	+, -	96.021.2050.8	96.022.2050.8
■ signal brown	~50/-120 V	1, 2	96.021.2051.4	96.022.2051.4

female



male



modular, angled 90°

Color of coding	Application	Marking of poles	female Art.No.	male Art.No.
■ black	250 V	L, N	96.023.2053.1	96.024.2053.1
□ light grey	250 V	L, N	96.023.2053.0	96.024.2053.0
■ pebble grey	~50/-120 V	+, -	96.023.2050.8	96.024.2050.8
■ signal brown	~50/-120 V	1, 2	96.023.2051.4	96.024.2051.4

RST20I2, DEVICE CONNECTOR, M25, 2-POLE

SCREW CONNECTION

TECHNICAL DATA

Rated current:	20 A	Cross section fine-stranded:	0,75 mm ² - 6 mm ²
Degree of protection (IP):	IP66/68 (3m;2h) /IP69	Connection cross section solid:	0,75 mm ² - 6 mm ²
Terminations per pole:	1	Additional technical data, see facts & data.	
Lockable:	self-locking (unlocking by tool)		

female

male



standard, straight

Color of coding	Application	Marking of poles	female Art.No.	male Art.No.
■ black	250 V	L, N	96.021.5053.1	96.022.5053.1
□ light grey	250 V	L, N	96.021.5053.0	96.022.5053.0
■ pebble grey	~50/-120 V	+, -	96.021.5050.8	96.022.5050.8
■ signal brown	~50/-120 V	1, 2	96.021.5051.4	96.022.5051.4

female

male



modular, angled 90°

Color of coding	Application	Marking of poles	female Art.No.	male Art.No.
■ black	250 V	L, N	96.023.6253.1	96.024.6253.1
□ light grey	250 V	L, N	96.023.6253.0	96.024.6253.0
■ pebble grey	~50/-120 V	+, -	96.023.6250.8	96.024.6250.8
■ signal brown	~50/-120 V	1, 2	96.023.6251.4	96.024.6251.4

SPRING CLAMP CONNECTION

TECHNICAL DATA

Rated current:	20 A	Cross section fine-stranded:	0,5 mm ² - 1,5 mm ²
Degree of protection (IP):	IP66/68 (3m;2h) /IP69	Connection cross section solid:	0,5 mm ² - 2,5 mm ²
Terminations per pole:	2	Additional technical data, see facts & data.	
Lockable:	self-locking (unlocking by tool)		

female

male



standard, straight

Color of coding	Application	Marking of poles	female Art.No.	male Art.No.
■ black	250 V	L, N	96.021.1053.1	96.022.1053.1
□ light grey	250 V	L, N	96.021.1053.0	96.022.1053.0
■ pebble grey	~50/-120 V	+, -	96.021.1050.8	96.022.1050.8
■ signal brown	~50/-120 V	1, 2	96.021.1051.4	96.022.1051.4

female

male



modular, angled 90°

Color of coding	Application	Marking of poles	female Art.No.	male Art.No.
■ black	250 V	L, N	96.023.2253.1	96.024.2253.1
□ light grey	250 V	L, N	96.023.2253.0	96.024.2253.0
■ pebble grey	~50/-120 V	+, -	96.023.2250.8	96.024.2250.8
■ signal brown	~50/-120 V	1, 2	96.023.2251.4	96.024.2251.4

RST20I2, DISTRIBUTOR, 2-POLE

TECHNICAL DATA

Rated current: 20 A
 Degree of protection (IP): IP66/68 (3m;2h) /IP69
 Lockable: self-locking (unlocking by tool)
 Additional technical data, see facts & data.



distribution block 1I / 30, parallel connection, with fastening option

Color of coding	Application	Marking of poles	Art.No.
■ black	250 V	L, N	96.020.0153.1
□ light grey	250 V	L, N	96.020.0153.0
■ leaves green	250 V	1, 2	96.020.0155.7
■ pebble grey	~50/-120 V	+, -	96.020.0150.8
■ signal brown	~50/-120 V	1, 2	96.020.0151.4



distribution block 1I / 30, parallel connection, without fastening option

Color of coding	Application	Marking of poles	Art.No.
■ black	250 V	L, N	96.020.0253.1
□ light grey	250 V	L, N	96.020.0253.0
■ pebble grey	~50/-120 V	+, -	96.020.0250.8
■ signal brown	~50/-120 V	1, 2	96.020.0251.4

TECHNICAL DATA

Rated current: 6 A
 Degree of protection (IP): IP66/68 (3m;2h) /IP69
 Lockable: self-locking (unlocking by tool)
 Additional technical data, see facts & data.



distribution block 1I / 30, series connection, with fastening option

Color of coding	Application	Marking of poles	Art.No.
■ signal brown	~50/-120 V	1, 2	99.910.0000.7

TECHNICAL DATA

Rated current: 20 A
 Degree of protection (IP): IP66/68 (3m;2h) /IP69
 Lockable: self-locking (unlocking by tool)
 Additional technical data, see facts & data.



multi-distribution unit 1I / 70, parallel connection, with fastening option

Color of coding	Application	Marking of poles	Art.No.
■ black	250 V	L, N	99.988.0000.7
■ signal brown	~50/-120 V	1, 2	99.946.0000.7

RST20I2, CABLE ASSEMBLY, 2-POLE

1.5 mm², 16 A



TECHNICAL DATA

Rated current:	16 A	type of construction:	Shrinkage tube
Degree of protection (IP):	IP66/68 (3m;2h)	Additional technical data, see facts & data.	
Lockable:	self-locking (unlocking by tool)		

connecting cable, female - male

Cable color: ■ black
 Color of coding: 250 V
 Application: L, N
 Marking of poles:

Cable color: ■ pebble grey
 Color of coding: ~50/-120 V
 Application: +, -
 Marking of poles:

Cable color: ■ signal brown
 Color of coding: ~50/-120 V
 Application: 1, 2
 Marking of poles:

Length (m)	H07RN-F	H05VV-F	Ölflex® Classic 110
	halogenated	halogenated Eca	halogenated
	Art.No.	Art.No.	Art.No.
1	96.222.1030.1	96.222.1000.1	
2	96.222.2030.1	96.222.2000.1	
3	96.222.3030.1	96.222.3000.1	
4	96.222.4030.1	96.222.4000.1	
5	96.222.5030.1	96.222.5000.1	
6	96.222.6030.1	96.222.6000.1	
7	96.222.7030.1	96.222.7000.1	
8	96.222.8030.1	96.222.8000.1	
1			■ Grey 96.222.1092.8
2			96.222.2092.8
3			96.222.3092.8
4			96.222.4092.8
5			96.222.5092.8
6			96.222.6092.8
7			96.222.7092.8
8			96.222.8092.8
1	■ black 96.222.1032.4	■ black 96.222.1002.4	■ Grey 96.222.1092.4
2	96.222.2032.4	96.222.2002.4	96.222.2092.4
3	96.222.3032.4	96.222.3002.4	96.222.3092.4
4	96.222.4032.4	96.222.4002.4	96.222.4092.4
5	96.222.5032.4	96.222.5002.4	96.222.5092.4
6	96.222.6032.4	96.222.6002.4	96.222.6092.4
7	96.222.7032.4	96.222.7002.4	96.222.7092.4
8	96.222.8032.4	96.222.8002.4	96.222.8092.4

RST20I2, CABLE ASSEMBLY, 2-POLE

1.5 mm², 16 A



TECHNICAL DATA

Rated current:	16 A	Preparation of conductor ends:	ultrasonically compressed wire ends
Degree of protection (IP):	IP66/68 (3m;2h)	type of construction:	Shrinkage tube
Lockable:	self-locking (unlocking by tool)	Additional technical data, see facts & data.	

connection cable, female - free end

Cable color: black
 Color of coding: black
 Application: 250 V
 Marking of poles: L, N

Cable color: pebble grey
 Color of coding: pebble grey
 Application: ~50/-120 V
 Marking of poles: +, -

Cable color: signal brown
 Color of coding: signal brown
 Application: ~50/-120 V
 Marking of poles: 1, 2

Length (m)	H07RN-F	H05VV-F	Ölflex® Classic 110
	halogenated	halogenated Eca	halogenated
	Art.No.	Art.No.	Art.No.
	black	black	
1	96.222.1033.1	96.222.1003.1	
2	96.222.2033.1	96.222.2003.1	
3	96.222.3033.1	96.222.3003.1	
4	96.222.4033.1	96.222.4003.1	
5	96.222.5033.1	96.222.5003.1	
6	96.222.6033.1	96.222.6003.1	
7	96.222.7033.1	96.222.7003.1	
8	96.222.8033.1	96.222.8003.1	
			Grey
1			96.222.1097.8
2			96.222.2097.8
3			96.222.3097.8
4			96.222.4097.8
5			96.222.5097.8
6			96.222.6097.8
7			96.222.7097.8
8			96.222.8097.8
	black	black	Grey
1	96.222.1037.4	96.222.1007.4	96.222.1097.4
2	96.222.2037.4	96.222.2007.4	96.222.2097.4
3	96.222.3037.4	96.222.3007.4	96.222.3097.4
4	96.222.4037.4	96.222.4007.4	96.222.4097.4
5	96.222.5037.4	96.222.5007.4	96.222.5097.4
6	96.222.6037.4	96.222.6007.4	96.222.6097.4
7	96.222.7037.4	96.222.7007.4	96.222.7097.4
8	96.222.8037.4	96.222.8007.4	96.222.8097.4

connection cable, male - free end

Cable color: black
 Color of coding: black
 Application: 250 V
 Marking of poles: L, N

Cable color: pebble grey
 Color of coding: pebble grey
 Application: ~50/-120 V
 Marking of poles: +, -

Cable color: signal brown
 Color of coding: signal brown
 Application: ~50/-120 V
 Marking of poles: 1, 2

Length (m)	H07RN-F	H05VV-F	Ölflex® Classic 110
	halogenated	halogenated Eca	halogenated
	Art.No.	Art.No.	Art.No.
	black	black	
1	96.222.1034.1	96.222.1004.1	
2	96.222.2034.1	96.222.2004.1	
3	96.222.3034.1	96.222.3004.1	
4	96.222.4034.1	96.222.4004.1	
5	96.222.5034.1	96.222.5004.1	
6	96.222.6034.1	96.222.6004.1	
7	96.222.7034.1	96.222.7004.1	
8	96.222.8034.1	96.222.8004.1	
			Grey
1			96.222.1098.8
2			96.222.2098.8
3			96.222.3098.8
4			96.222.4098.8
5			96.222.5098.8
6			96.222.6098.8
7			96.222.7098.8
8			96.222.8098.8
	black	black	Grey
1	96.222.1038.4	96.222.1008.4	96.222.1098.4
2	96.222.2038.4	96.222.2008.4	96.222.2098.4
3	96.222.3038.4	96.222.3008.4	96.222.3098.4
4	96.222.4038.4	96.222.4008.4	96.222.4098.4
5	96.222.5038.4	96.222.5008.4	96.222.5098.4
6	96.222.6038.4	96.222.6008.4	96.222.6098.4
7	96.222.7038.4	96.222.7008.4	96.222.7098.4
8	96.222.8038.4	96.222.8008.4	96.222.8098.4

RST® CLASSIC

RST20I2, CABLE ASSEMBLY, 2-POLE

1.5 mm², 16 A



TECHNICAL DATA

Rated current:	16 A	Preparation of conductor ends:	ultrasonically compressed wire ends
Lockable:	self-locking (unlocking by tool)	Additional technical data, see facts & data.	

connection cable, female - free end, for pole socket

Cable color: ■ black
Color of coding: ■ black
Application: 250 V
Marking of poles: L, N

**H05VV-F
halogenated
Eca**

Length (m)	Art.No.
3	99.506.0000.7
4	99.507.0000.7
5	99.508.0000.7
6	99.511.0000.7
9	99.534.0000.7

RST20I2, CABLE ASSEMBLY, 2-POLE

2.5 mm², 20 A



TECHNICAL DATA

Rated current: 20 A
 Degree of protection (IP): IP66/68 (3m;2h)
 Lockable: self-locking (unlocking by tool)

type of construction: Shrinkage tube
 Additional technical data, see facts & data.

connecting cable, female - male

**Ölflex® Classic
110
halogenated**

Cable color: ■ pebble grey
 Color of coding: ~50/-120 V
 Application: +, -
 Marking of poles: +, -

Length (m)	Art.No.
	■ Grey
1	96.223.1092.8
2	96.223.2092.8
3	96.223.3092.8
4	96.223.4092.8
5	96.223.5092.8
6	96.223.6092.8
7	96.223.7092.8
8	96.223.8092.8

Cable color: ■ signal brown
 Color of coding: ~50/-120 V
 Application: 1, 2
 Marking of poles: 1, 2

Length (m)	Art.No.
	■ Grey
1	96.223.1092.4
2	96.223.2092.4
3	96.223.3092.4
4	96.223.4092.4
5	96.223.5092.4
6	96.223.6092.4
7	96.223.7092.4
8	96.223.8092.4

TECHNICAL DATA

Rated current: 20 A
 Degree of protection (IP): IP66/68 (3m;2h)
 Lockable: self-locking (unlocking by tool)

Preparation of conductor ends: ultrasonically compressed wire ends
 type of construction: Shrinkage tube
 Additional technical data, see facts & data.

connection cable, female - free end

**Ölflex® Classic
110
halogenated**

Cable color: ■ pebble grey
 Color of coding: ~50/-120 V
 Application: +, -
 Marking of poles: +, -

Length (m)	Art.No.
	■ Grey
1	96.223.1097.8
2	96.223.2097.8
3	96.223.3097.8
4	96.223.4097.8
5	96.223.5097.8
6	96.223.6097.8
7	96.223.7097.8
8	96.223.8097.8

Cable color: ■ signal brown
 Color of coding: ~50/-120 V
 Application: 1, 2
 Marking of poles: 1, 2

Length (m)	Art.No.
	■ Grey
1	96.223.1097.4
2	96.223.2097.4
3	96.223.3097.4
4	96.223.4097.4
5	96.223.5097.4
6	96.223.6097.4
7	96.223.7097.4
8	96.223.8097.4



RST20I2, CABLE ASSEMBLY, 2-POLE

2.5 mm², 20 A



TECHNICAL DATA

Rated current:	20 A	Preparation of conductor ends:	ultrasonically compressed wire ends
Degree of protection (IP):	IP66/68 (3m;2h)	type of construction:	Shrinkage tube
Lockable:	self-locking (unlocking by tool)	Additional technical data, see facts & data.	

connection cable, male - free end

**Ölflex® Classic
110
halogenated**

Cable color: ■ pebble grey
 Color of coding: ~50/-120 V
 Application: +, -
 Marking of poles: +, -

Cable color: ■ signal brown
 Color of coding: ~50/-120 V
 Application: 1, 2
 Marking of poles: 1, 2

Length (m)	Art.No.
	■ Grey
1	96.223.1098.8
2	96.223.2098.8
3	96.223.3098.8
4	96.223.4098.8
5	96.223.5098.8
6	96.223.6098.8
7	96.223.7098.8
8	96.223.8098.8
	■ Grey
1	96.223.1098.4
2	96.223.2098.4
3	96.223.3098.4
4	96.223.4098.4
5	96.223.5098.4
6	96.223.6098.4
7	96.223.7098.4
8	96.223.8098.4

RST2013, CONNECTOR, 3-POLE

SCREW CONNECTION

TECHNICAL DATA

Rated current:	20 A	Cross section fine-stranded:	0,75 mm ² - 6 mm ²
Degree of protection (IP):	IP66/68 (3m;2h) /IP69	Connection cross section solid:	0,75 mm ² - 6 mm ²
Terminations per pole:	1	Additional technical data, see facts & data.	
Lockable:	self-locking (unlocking by tool)		

female



male



straight, for cables Ø 6-10 mm

Color of coding	Application	Marking of poles	female Art.No.	male Art.No.
■ black	250 V with PE	L, N, PE	96.031.4053.1	96.032.4053.1
□ light grey	250 V with PE	L, N, PE	96.031.4053.0	96.032.4053.0
■ leaves green	250/400 V with PE	1, 2, PE	96.031.4055.7	96.032.4055.7
■ light blue	250/400 V	1, 2, 3	96.031.4053.9	96.032.4053.9
■ signal brown	~50/-120 V with PE	1, 2, PE	96.031.4051.4	96.032.4051.4

female



male



straight, for cables Ø 10-14 mm

Color of coding	Application	Marking of poles	female Art.No.	male Art.No.
■ black	250 V with PE	L, N, PE	96.031.4153.1	96.032.4153.1
□ light grey	250 V with PE	L, N, PE	96.031.4153.0	96.032.4153.0
■ leaves green	250/400 V with PE	1, 2, PE	96.031.4155.7	96.032.4155.7
■ light blue	250/400 V	1, 2, 3	96.031.4153.9	96.032.4153.9
■ signal brown	~50/-120 V with PE	1, 2, PE	96.031.4151.4	96.032.4151.4

female



male



straight, for cables Ø 13-18 mm

Color of coding	Application	Marking of poles	female Art.No.	male Art.No.
■ black	250 V with PE	L, N, PE	96.031.4553.1	96.032.4553.1
□ light grey	250 V with PE	L, N, PE	96.031.4553.0	96.032.4553.0
■ leaves green	250/400 V with PE	1, 2, PE	96.031.4555.7	96.032.4555.7
■ light blue	250/400 V	1, 2, 3	96.031.4553.9	96.032.4553.9
■ signal brown	~50/-120 V with PE	1, 2, PE	96.031.4551.4	96.032.4551.4

male



straight, for pole socket, for cables Ø 6-10 mm

Color of coding	Application	Marking of poles	male Art.No.
■ black	250 V with PE	L, N, PE	99.594.0000.7

female



male



angled 90°, for cables Ø 6-10 mm

Color of coding	Application	Marking of poles	female Art.No.	male Art.No.
■ black	250 V with PE	L, N, PE	96.033.4053.1	96.034.4053.1
□ light grey	250 V with PE	L, N, PE	96.033.4053.0	96.034.4053.0
■ leaves green	250/400 V with PE	1, 2, PE	96.033.4055.7	96.034.4055.7
■ light blue	250/400 V	1, 2, 3	96.033.4053.9	96.034.4053.9
■ signal brown	~50/-120 V with PE	1, 2, PE	96.033.4051.4	96.034.4051.4

female



male



angled 90°, for cables Ø 10-14 mm

Color of coding	Application	Marking of poles	female Art.No.	male Art.No.
■ black	250 V with PE	L, N, PE	96.033.4153.1	96.034.4153.1
□ light grey	250 V with PE	L, N, PE	96.033.4153.0	96.034.4153.0
■ leaves green	250/400 V with PE	1, 2, PE	96.033.4155.7	96.034.4155.7
■ light blue	250/400 V	1, 2, 3	96.033.4153.9	96.034.4153.9
■ signal brown	~50/-120 V with PE	1, 2, PE	96.033.4151.4	96.034.4151.4

*) Alternative technical data, see facts & data.

RST20I3, CONNECTOR, 3-POLE

SCREW CONNECTION

TECHNICAL DATA

Rated current:	20 A	Cross section fine-stranded:	0,75 mm ² - 6 mm ²
Degree of protection (IP):	IP66/68 (3m;2h) /IP69	Connection cross section solid:	0,75 mm ² - 6 mm ²
Terminations per pole:	1	Additional technical data, see facts & data.	
Lockable:	self-locking (unlocking by tool)		

female

male



splitter connector, for cables Ø 6-10 mm

female

male

Color of coding	Application	Marking of poles	Art.No.	Art.No.
■ black	250 V with PE	L, N, PE	96.031.4253.1*	96.032.4253.1*
□ light grey	250 V with PE	L, N, PE	96.031.4253.0*	96.032.4253.0*
■ leaves green	250/400 V with PE	1, 2, PE	96.031.4255.7*	
■ light blue	250/400 V	1, 2, 3	96.031.4253.9*	
■ signal brown	~50/-120 V with PE	1, 2, PE	96.031.4251.4*	96.032.4251.4*

female

male



splitter connector, for cables Ø 10-14 mm

female

male

Color of coding	Application	Marking of poles	Art.No.	Art.No.
■ black	250 V with PE	L, N, PE	96.031.4353.1*	96.032.4353.1*
□ light grey	250 V with PE	L, N, PE	96.031.4353.0*	96.032.4353.0*
■ leaves green	250/400 V with PE	1, 2, PE	96.031.4355.7*	
■ light blue	250/400 V	1, 2, 3	96.031.4353.9*	

*) Alternative technical data, see facts & data.

RST2013, CONNECTOR, 3-POLE

SPRING CLAMP CONNECTION

TECHNICAL DATA		
Rated current:	20 A	Cross section fine-stranded: 0,5 mm ² - 1,5 mm ²
Degree of protection (IP):	IP66/68 (3m;2h) /IP69	ded:
Terminations per pole:	2	Connection cross section 0,5 mm ² - 2,5 mm ²
Lockable:	self-locking (unlocking by tool)	solid:
		Additional technical data, see facts & data.

female

male



straight, for cables Ø 6-10 mm

Color of coding	Application	Marking of poles	female Art.No.	male Art.No.
■ black	250 V with PE	L, N, PE	96.031.0053.1	96.032.0053.1
□ light grey	250 V with PE	L, N, PE	96.031.0053.0	96.032.0053.0
■ leaves green	250/400 V with PE	1, 2, PE	96.031.0055.7	96.032.0055.7
■ light blue	250/400 V	1, 2, 3	96.031.0053.9	96.032.0053.9
■ signal brown	~50/-120 V with PE	1, 2, PE	96.031.0051.4	96.032.0051.4

female

male



straight, for cables Ø 10-14 mm

Color of coding	Application	Marking of poles	female Art.No.	male Art.No.
■ black	250 V with PE	L, N, PE	96.031.0153.1	96.032.0153.1
□ light grey	250 V with PE	L, N, PE	96.031.0153.0	96.032.0153.0
■ leaves green	250/400 V with PE	1, 2, PE	96.031.0155.7	96.032.0155.7
■ light blue	250/400 V	1, 2, 3	96.031.0153.9	96.032.0153.9
■ signal brown	~50/-120 V with PE	1, 2, PE	96.031.0151.4	96.032.0151.4

female

male



straight, for cables Ø 13-18 mm

Color of coding	Application	Marking of poles	female Art.No.	male Art.No.
■ leaves green	250/400 V with PE	1, 2, PE	96.031.0555.7	96.032.0555.7
■ light blue	250/400 V	1, 2, 3	96.031.0553.9	96.032.0553.9

female

male



angled 90°, for cables Ø 6-10 mm

Color of coding	Application	Marking of poles	female Art.No.	male Art.No.
■ black	250 V with PE	L, N, PE	96.033.0053.1	96.034.0053.1
□ light grey	250 V with PE	L, N, PE	96.033.0053.0	96.034.0053.0
■ leaves green	250/400 V with PE	1, 2, PE	96.033.0055.7	96.034.0055.7
■ light blue	250/400 V	1, 2, 3	96.033.0053.9	96.034.0053.9
■ signal brown	~50/-120 V with PE	1, 2, PE	96.033.0051.4	96.034.0051.4

female

male



angled 90°, for cables Ø 10-14 mm

Color of coding	Application	Marking of poles	female Art.No.	male Art.No.
■ black	250 V with PE	L, N, PE	96.033.0153.1	96.034.0153.1
□ light grey	250 V with PE	L, N, PE	96.033.0153.0	96.034.0153.0
■ leaves green	250/400 V with PE	1, 2, PE	96.033.0155.7	96.034.0155.7
■ light blue	250/400 V	1, 2, 3	96.033.0153.9	96.034.0153.9
■ signal brown	~50/-120 V with PE	1, 2, PE	96.033.0151.4	96.034.0151.4

female

male



splitter connector, for cables Ø 6-10 mm

Color of coding	Application	Marking of poles	female Art.No.	male Art.No.
■ black	250 V with PE	L, N, PE	96.031.0253.1	96.032.0253.1
□ light grey	250 V with PE	L, N, PE	96.031.0253.0	
■ leaves green	250/400 V with PE	1, 2, PE	96.031.0255.7	
■ light blue	250/400 V	1, 2, 3	96.031.0253.9	
■ signal brown	~50/-120 V with PE	1, 2, PE		96.032.0251.4

RST20I3, CONNECTOR, 3-POLE

SPRING CLAMP CONNECTION

TECHNICAL DATA

Rated current:	20 A	Cross section fine-stranded:	0,5 mm ² - 1,5 mm ²
Degree of protection (IP):	IP66/68 (3m;2h) /IP69	Connection cross section solid:	0,5 mm ² - 2,5 mm ²
Terminations per pole:	2	Additional technical data, see facts & data.	
Lockable:	self-locking (unlocking by tool)		

female



male



splitter connector, for cables Ø 10-14 mm

Color of coding	Application	Marking of poles	female Art.No.	male Art.No.
■ black	250 V with PE	L, N, PE	96.031.0353.1	
□ light grey	250 V with PE	L, N, PE	96.031.0353.0	
■ leaves green	250/400 V with PE	1, 2, PE	96.031.0355.7	
■ light blue	250/400 V	1, 2, 3	96.031.0353.9	
■ signal brown	~50/-120 V with PE	1, 2, PE		96.032.0351.4

RST20I3, CONNECTOR, 3-POLE

CRIMP

TECHNICAL DATA

Rated current:	20 A	Lockable:	self-locking (unlocking by tool)
Degree of protection (IP):	IP66/68 (3m;2h) /IP69	Cross section fine-stranded:	0,75 mm ² - 4 mm ²
Terminations per pole:	1	Additional technical data, see facts & data.	

female



male



straight, for cables Ø 6-10 mm

Color of coding	Application	Marking of poles	female Art.No.	male Art.No.
■ black	250 V with PE	L, N, PE	96.131.0053.1	96.132.0053.1
□ light grey	250 V with PE	L, N, PE	96.131.0053.0	96.132.0053.0
■ leaves green	250/400 V with PE	1, 2, PE	96.131.0055.7	96.132.0055.7

female



male



straight, for cables Ø 10-14 mm

Color of coding	Application	Marking of poles	female Art.No.	male Art.No.
■ black	250 V with PE	L, N, PE	96.131.0153.1	96.132.0153.1
□ light grey	250 V with PE	L, N, PE	96.131.0153.0	96.132.0153.0
■ leaves green	250/400 V with PE	1, 2, PE	96.131.0155.7	

female



male



straight, for cables Ø 13-18 mm

Color of coding	Application	Marking of poles	female Art.No.	male Art.No.
■ black	250 V with PE	L, N, PE	96.131.4553.1	96.132.4553.1
□ light grey	250 V with PE	L, N, PE	96.131.4553.0	96.132.4553.0

female



male



angled 90°, for cables Ø 6-10 mm

Color of coding	Application	Marking of poles	female Art.No.	male Art.No.
□ light grey	250 V with PE	L, N, PE	96.133.0053.0	96.134.0053.0

female



male



angled 90°, for cables Ø 10-14 mm

Color of coding	Application	Marking of poles	female Art.No.	male Art.No.
■ black	250 V with PE	L, N, PE	96.133.0153.1	96.134.0153.1
□ light grey	250 V with PE	L, N, PE	96.133.0153.0	96.134.0153.0

RST20I3, DEVICE CONNECTOR, M16, 3-POLE

SCREW CONNECTION

TECHNICAL DATA

Rated current:	20 A	Cross section fine-stranded:	0,75 mm ² - 6 mm ²
Degree of protection (IP):	IP66/68 (3m;2h) /IP69	Connection cross section solid:	0,75 mm ² - 6 mm ²
Terminations per pole:	1	Additional technical data, see facts & data.	
Lockable:	self-locking (unlocking by tool)		

female

male



modular, straight

Color of coding	Application	Marking of poles	female Art.No.	male Art.No.
■ black	250 V with PE	L, N, PE	96.031.6153.1	96.032.6153.1
□ light grey	250 V with PE	L, N, PE	96.031.6153.0	96.032.6153.0
■ leaves green	250/400 V with PE	1, 2, PE	96.031.6155.7	96.032.6155.7
■ light blue	250/400 V	1, 2, 3	96.031.6153.9	96.032.6153.9
■ signal brown	~50/-120 V with PE	1, 2, PE	96.031.6151.4	96.032.6151.4

female

male



modular, angled 7°

Color of coding	Application	Marking of poles	female Art.No.	male Art.No.
■ black	250 V with PE	L, N, PE	96.035.6153.1	96.036.6153.1
□ light grey	250 V with PE	L, N, PE	96.035.6153.0	96.036.6153.0

SPRING CLAMP CONNECTION

TECHNICAL DATA

Rated current:	20 A	Cross section fine-stranded:	0,5 mm ² - 1,5 mm ²
Degree of protection (IP):	IP66/68 (3m;2h) /IP69	Connection cross section solid:	0,5 mm ² - 2,5 mm ²
Terminations per pole:	2	Additional technical data, see facts & data.	
Lockable:	self-locking (unlocking by tool)		

female

male



modular, straight

Color of coding	Application	Marking of poles	female Art.No.	male Art.No.
■ black	250 V with PE	L, N, PE	96.031.2153.1	96.032.2153.1
□ light grey	250 V with PE	L, N, PE	96.031.2153.0	96.032.2153.0
■ leaves green	250/400 V with PE	1, 2, PE	96.031.2155.7	96.032.2155.7
■ light blue	250/400 V	1, 2, 3	96.031.2153.9	96.032.2153.9
■ signal brown	~50/-120 V with PE	1, 2, PE	96.031.2151.4	96.032.2151.4

female

male



modular, angled 7°

Color of coding	Application	Marking of poles	female Art.No.	male Art.No.
■ black	250 V with PE	L, N, PE	96.035.2153.1	96.036.2153.1
□ light grey	250 V with PE	L, N, PE	96.035.2153.0	96.036.2153.0

RST20I3, DEVICE CONNECTOR, M16, 3-POLE

CRIMP

TECHNICAL DATA

Rated current:	20 A	Lockable:	self-locking (unlocking by tool)
Degree of protection (IP):	IP66/68 (3m;2h) /IP69	Cross section fine-stranded:	0,75 mm ² - 4 mm ²
Terminations per pole:	1	Additional technical data, see facts & data.	

female



male



modular, straight

Color of coding	Application	Marking of poles	female Art.No.	male Art.No.
■ black	250 V with PE	L, N, PE	96.131.2153.1	96.132.2153.1
□ light grey	250 V with PE	L, N, PE	96.131.2153.0	96.132.2153.0

female



male



modular, angled 7°

Color of coding	Application	Marking of poles	female Art.No.	male Art.No.
■ black	250 V with PE	L, N, PE	96.135.2153.1	96.136.2153.1
□ light grey	250 V with PE	L, N, PE	96.135.2153.0	96.136.2153.0

RST2013, DEVICE CONNECTOR, M20, 3-POLE

SCREW CONNECTION

TECHNICAL DATA

Rated current:	20 A	Cross section fine-stranded:	0,75 mm ² - 6 mm ²
Degree of protection (IP):	IP66/68 (3m;2h) /IP69	Connection cross section solid:	0,75 mm ² - 6 mm ²
Terminations per pole:	1	Additional technical data, see facts & data.	
Lockable:	self-locking (unlocking by tool)		

female



male



modular, straight

Color of coding	Application	Marking of poles	female Art.No.	male Art.No.
■ black	250 V with PE	L, N, PE	96.031.6053.1	96.032.6053.1
□ light grey	250 V with PE	L, N, PE	96.031.6053.0	96.032.6053.0
■ leaves green	250/400 V with PE	1, 2, PE	96.031.6055.7	96.032.6055.7
■ light blue	250/400 V	1, 2, 3	96.031.6053.9	96.032.6053.9
■ signal brown	~50/-120 V with PE	1, 2, PE	96.031.6051.4	96.032.6051.4

female



male



modular, angled 90°

Color of coding	Application	Marking of poles	female Art.No.	male Art.No.
■ black	250 V with PE	L, N, PE	96.033.6053.1	96.034.6053.1
□ light grey	250 V with PE	L, N, PE	96.033.6053.0	96.034.6053.0
■ leaves green	250/400 V with PE	1, 2, PE	96.033.6055.7	96.034.6055.7
■ light blue	250/400 V	1, 2, 3	96.033.6053.9	96.034.6053.9
■ signal brown	~50/-120 V with PE	1, 2, PE	96.033.6051.4	96.034.6051.4

SPRING CLAMP CONNECTION

TECHNICAL DATA

Rated current:	20 A	Cross section fine-stranded:	0,5 mm ² - 1,5 mm ²
Degree of protection (IP):	IP66/68 (3m;2h) /IP69	Connection cross section solid:	0,5 mm ² - 2,5 mm ²
Terminations per pole:	2	Additional technical data, see facts & data.	
Lockable:	self-locking (unlocking by tool)		

female



male



modular, straight

Color of coding	Application	Marking of poles	female Art.No.	male Art.No.
■ black	250 V with PE	L, N, PE	96.031.2053.1	96.032.2053.1
□ light grey	250 V with PE	L, N, PE	96.031.2053.0	96.032.2053.0
■ leaves green	250/400 V with PE	1, 2, PE	96.031.2055.7	96.032.2055.7
■ light blue	250/400 V	1, 2, 3	96.031.2053.9	96.032.2053.9
■ signal brown	~50/-120 V with PE	1, 2, PE	96.031.2051.4	96.032.2051.4

female



male



modular, angled 90°

Color of coding	Application	Marking of poles	female Art.No.	male Art.No.
■ black	250 V with PE	L, N, PE	96.033.2053.1	96.034.2053.1
□ light grey	250 V with PE	L, N, PE	96.033.2053.0	96.034.2053.0
■ leaves green	250/400 V with PE	1, 2, PE	96.033.2055.7	96.034.2055.7
■ light blue	250/400 V	1, 2, 3	96.033.2053.9	96.034.2053.9
■ signal brown	~50/-120 V with PE	1, 2, PE	96.033.2051.4	96.034.2051.4

RST20I3, DEVICE CONNECTOR, M20, 3-POLE

CRIMP

TECHNICAL DATA

Rated current:	20 A	Lockable:	self-locking (unlocking by tool)
Degree of protection (IP):	IP66/68 (3m;2h) /IP69	Cross section fine-stranded:	0,75 mm ² - 4 mm ²
Terminations per pole:	1	Additional technical data, see facts & data.	

female



male



modular, straight

Color of coding	Application	Marking of poles	female Art.No.	male Art.No.
■ black	250 V with PE	L, N, PE	96.131.2053.1	96.132.2053.1
□ light grey	250 V with PE	L, N, PE	96.131.2053.0	96.132.2053.0

female



male



modular, angled 90°

Color of coding	Application	Marking of poles	female Art.No.	male Art.No.
■ black	250 V with PE	L, N, PE	96.133.2053.1	96.134.2053.1
□ light grey	250 V with PE	L, N, PE	96.133.2053.0	96.134.2053.0

RST2013, DEVICE CONNECTOR, M25, 3-POLE

SCREW CONNECTION

TECHNICAL DATA

Rated current:	20 A	Cross section fine-stranded:	0,75 mm ² - 6 mm ²
Degree of protection (IP):	IP66/68 (3m;2h) /IP69	Connection cross section solid:	0,75 mm ² - 6 mm ²
Terminations per pole:	1	Additional technical data, see facts & data.	
Lockable:	self-locking (unlocking by tool)		

female



male



standard, straight

Color of coding	Application	Marking of poles	female Art.No.	male Art.No.
■ black	250 V with PE	L, N, PE	96.031.5053.1	96.032.5053.1
□ light grey	250 V with PE	L, N, PE	96.031.5053.0	96.032.5053.0
■ leaves green	250/400 V with PE	1, 2, PE	96.031.5055.7	96.032.5055.7
■ light blue	250/400 V	1, 2, 3	96.031.5053.9	96.032.5053.9
■ signal brown	~50/-120 V with PE	1, 2, PE	96.031.5051.4	96.032.5051.4

female



male



modular, angled 90°

Color of coding	Application	Marking of poles	female Art.No.	male Art.No.
■ black	250 V with PE	L, N, PE	96.033.6253.1	96.034.6253.1
□ light grey	250 V with PE	L, N, PE	96.033.6253.0	96.034.6253.0
■ leaves green	250/400 V with PE	1, 2, PE	96.033.6255.7	96.034.6255.7
■ light blue	250/400 V	1, 2, 3	96.033.6253.9	96.034.6253.9
■ signal brown	~50/-120 V with PE	1, 2, PE	96.033.6251.4	96.034.6251.4

SPRING CLAMP CONNECTION

TECHNICAL DATA

Rated current:	20 A	Cross section fine-stranded:	0,5 mm ² - 1,5 mm ²
Degree of protection (IP):	IP66/68 (3m;2h) /IP69	Connection cross section solid:	0,5 mm ² - 2,5 mm ²
Terminations per pole:	2	Additional technical data, see facts & data.	
Lockable:	self-locking (unlocking by tool)		

female



male



standard, straight

Color of coding	Application	Marking of poles	female Art.No.	male Art.No.
■ black	250 V with PE	L, N, PE	96.031.1053.1	96.032.1053.1
□ light grey	250 V with PE	L, N, PE	96.031.1053.0	96.032.1053.0
■ leaves green	250/400 V with PE	1, 2, PE	96.031.1055.7	96.032.1055.7
■ light blue	250/400 V	1, 2, 3	96.031.1053.9	96.032.1053.9
■ signal brown	~50/-120 V with PE	1, 2, PE	96.031.1051.4	96.032.1051.4

female



male



modular, angled 90°

Color of coding	Application	Marking of poles	female Art.No.	male Art.No.
■ black	250 V with PE	L, N, PE	96.033.2253.1	96.034.2253.1
□ light grey	250 V with PE	L, N, PE	96.033.2253.0	96.034.2253.0
■ leaves green	250/400 V with PE	1, 2, PE	96.033.2255.7	96.034.2255.7
■ light blue	250/400 V	1, 2, 3	96.033.2253.9	96.034.2253.9
■ signal brown	~50/-120 V with PE	1, 2, PE	96.033.2251.4	96.034.2251.4

RST20I3, DEVICE CONNECTOR, M25, 3-POLE

CRIMP

TECHNICAL DATA

Rated current:	20 A	Lockable:	self-locking (unlocking by tool)
Degree of protection (IP):	IP66/68 (3m;2h) /IP69	Cross section fine-stranded:	0,75 mm ² - 4 mm ²
Terminations per pole:	1	Additional technical data, see facts & data.	

female



male



standard, straight

Color of coding	Application	Marking of poles	female Art.No.	male Art.No.
■ black	250 V with PE	L, N, PE	96.131.1053.1	96.132.1053.1
□ light grey	250 V with PE	L, N, PE	96.131.1053.0	96.132.1053.0
■ leaves green	250/400 V with PE	1, 2, PE	96.131.1055.7	96.132.1055.7

female



male



modular, angled 90°

Color of coding	Application	Marking of poles	female Art.No.	male Art.No.
■ black	250 V with PE	L, N, PE	96.133.2253.1	96.134.2253.1
□ light grey	250 V with PE	L, N, PE	96.133.2253.0	96.134.2253.0

RST20I3, DISTRIBUTOR, 3-POLE

TECHNICAL DATA

Rated current:	20 A	Lockable:	self-locking (unlocking by tool)
Degree of protection (IP):	IP66/68 (3m;2h) /IP69	Additional technical data, see facts & data.	



distribution block 1I / 30, parallel connection, with fastening option

Color of coding	Application	Marking of poles	Art.No.
■ black	250 V with PE	L, N, PE	96.030.0153.1
□ light grey	250 V with PE	L, N, PE	96.030.0153.0
■ leaves green	250/400 V with PE	1, 2, PE	96.030.0155.7
■ light blue	250/400 V	1, 2, 3	96.030.0153.9
■ signal brown	~50/-120 V with PE	1, 2, PE	96.030.0151.4



distribution block 1I / 30, parallel connection, without fastening option

Color of coding	Application	Marking of poles	Art.No.
■ black	250 V with PE	L, N, PE	96.030.0253.1
□ light grey	250 V with PE	L, N, PE	96.030.0253.0
■ leaves green	250/400 V with PE	1, 2, PE	96.030.0255.7
■ signal brown	~50/-120 V with PE	1, 2, PE	96.030.0251.4



compact distributor 1I / 30, parallel connection, with fastening option

Color of coding	Application	Marking of poles	Art.No.
■ black	250 V with PE	L, N, PE	99.906.0000.7
■ signal brown	~50/-120 V with PE	1, 2, PE	99.606.0000.8



multi-distribution unit 1I / 70, parallel connection, with fastening option

Color of coding	Application	Marking of poles	Art.No.
■ black	250 V with PE	L, N, PE	99.929.0000.7

RST20I3, CABLE ASSEMBLY, 3-POLE

1.5 mm², 16 A



TECHNICAL DATA

Rated current: 16 A
 Degree of protection (IP): IP66/68 (3m;2h)
 Lockable: self-locking (unlocking by tool)
 type of construction: Shrinkage tube
 Additional technical data, see facts & data.

connecting cable, female - male

Cable color:
 Color of coding: ■ black
 Application: 250 V with PE
 Marking of poles: L, N, PE

Cable color:
 Color of coding: ■ leaves green
 Application: 250/400 V with PE
 Marking of poles: 1, 2, PE

Length (m)	H07RN-F	H07RN-F - Enhanced Version	H05VV-F
	halogenated	halogen free	halogenated Eca
	Art.No.	Art.No.	Art.No.
1	96.232.1030.1	96.232.1050.1	96.232.1000.1
2	96.232.2030.1	96.232.2050.1	96.232.2000.1
3	96.232.3030.1	96.232.3050.1	96.232.3000.1
4	96.232.4030.1	96.232.4050.1	96.232.4000.1
5	96.232.5030.1	96.232.5050.1	96.232.5000.1
6	96.232.6030.1	96.232.6050.1	96.232.6000.1
7	96.232.7030.1	96.232.7050.1	96.232.7000.1
8	96.232.8030.1	96.232.8050.1	96.232.8000.1
1	96.232.1031.7		96.232.1001.7
2	96.232.2031.7		96.232.2001.7
3	96.232.3031.7		96.232.3001.7
4	96.232.4031.7		96.232.4001.7
5	96.232.5031.7		96.232.5001.7
6	96.232.6031.7		96.232.6001.7
7	96.232.7031.7		96.232.7001.7
8	96.232.8031.7		96.232.8001.7

connecting cable, female - male

Cable color:
 Color of coding: ■ black
 Application: 250 V with PE
 Marking of poles: L, N, PE

Cable color:
 Color of coding: ■ leaves green
 Application: 250/400 V with PE
 Marking of poles: 1, 2, PE

Length (m)	H05Z1Z1-F	H05Z1Z1-F	H05Z1Z1-F
	halogen free B2ca s1 d1 a1	halogen free Cca s1 d1 a1	halogen free Dca s1 d2 a1
	Art.No.	Art.No.	Art.No.
1	96.232.10B0.1	96.232.10C0.1	96.232.10D0.1
2	96.232.20B0.1	96.232.20C0.1	96.232.20D0.1
3	96.232.30B0.1		
4	96.232.40B0.1		
5	96.232.50B0.1		
6			
7			
8			
1	96.232.10B1.7	96.232.10C1.7	96.232.10D1.7
2	96.232.20B1.7	96.232.20C1.7	96.232.20D1.7
3			
4			
5			
6			
7			
8			



RST20I3, CABLE ASSEMBLY, 3-POLE

1.5 mm², 16 A



TECHNICAL DATA

Rated current: 16 A
 Degree of protection (IP): IP66/68 (3m;2h)
 Lockable: self-locking (unlocking by tool)

Preparation of conductor ends: ultrasonically compressed wire ends
 type of construction: Shrinkage tube
 Additional technical data, see facts & data.

connection cable, female - free end

Cable color: black
 Color of coding: ■ black
 Application: 250 V with PE
 Marking of poles: L, N, PE

Cable color: leaves green
 Color of coding: ■ leaves green
 Application: 250/400 V with PE
 Marking of poles: 1, 2, PE

	H07RN-F halogenated	H07RN-F - Enhanced Version halogen free	H05VV-F halogenated Eca
Length (m)	Art.No.	Art.No.	Art.No.
	■ black	■ black	■ black
1	96.232.1033.1	96.232.1053.1	96.232.1003.1
2	96.232.2033.1	96.232.2053.1	96.232.2003.1
3	96.232.3033.1	96.232.3053.1	96.232.3003.1
4	96.232.4033.1	96.232.4053.1	96.232.4003.1
5	96.232.5033.1	96.232.5053.1	96.232.5003.1
6	96.232.6033.1	96.232.6053.1	96.232.6003.1
7	96.232.7033.1	96.232.7053.1	96.232.7003.1
8	96.232.8033.1	96.232.8053.1	96.232.8003.1
	■ black		■ black
1	96.232.1035.7		96.232.1005.7
2	96.232.2035.7		96.232.2005.7
3			96.232.3005.7
4	96.232.4035.7		96.232.4005.7
5	96.232.5035.7		96.232.5005.7
6	96.232.6035.7		96.232.6005.7
7	96.232.7035.7		96.232.7005.7
8	96.232.8035.7		96.232.8005.7

connection cable, female - free end

Cable color: black
 Color of coding: ■ black
 Application: 250 V with PE
 Marking of poles: L, N, PE

Cable color: leaves green
 Color of coding: ■ leaves green
 Application: 250/400 V with PE
 Marking of poles: 1, 2, PE

	H05Z1Z1-F halogen free B2ca s1 d1 a1	H05Z1Z1-F halogen free Cca s1 d1 a1	H05Z1Z1-F halogen free Dca s1 d2 a1
Length (m)	Art.No.	Art.No.	Art.No.
	■ black	■ black	■ black
1	96.232.10B3.1	96.232.10C3.1	96.232.10D3.1
2	96.232.20B3.1	96.232.20C3.1	96.232.20D3.1
3			
4			
5			
6			
7			
8			
	■ black	■ black	■ black
1	96.232.10B5.7	96.232.10C5.7	96.232.10D5.7
2	96.232.20B5.7	96.232.20C5.7	96.232.20D5.7
3			
4			
5			
6			
7			
8			



RST® CLASSIC

RST20I3, CABLE ASSEMBLY, 3-POLE

1.5 mm², 16 A



TECHNICAL DATA

Rated current:	16 A	Preparation of conductor ends:	ultrasonically compressed wire ends
Degree of protection (IP):	IP66/68 (3m;2h)	type of construction:	Shrinkage tube
Lockable:	self-locking (unlocking by tool)	Additional technical data, see facts & data.	

connection cable, male - free end

Cable color: black
 Color of coding: ■ black
 Application: 250 V with PE
 Marking of poles: L, N, PE

Cable color: leaves green
 Color of coding: ■ leaves green
 Application: 250/400 V with PE
 Marking of poles: 1, 2, PE

	H07RN-F halogenated	H07RN-F - Enhanced Version halogen free	H05VV-F halogenated Eca
Length (m)	Art.No.	Art.No.	Art.No.
1	96.232.1034.1	96.232.1054.1	96.232.1004.1
2	96.232.2034.1	96.232.2054.1	96.232.2004.1
3	96.232.3034.1	96.232.3054.1	96.232.3004.1
4	96.232.4034.1	96.232.4054.1	96.232.4004.1
5	96.232.5034.1	96.232.5054.1	96.232.5004.1
6	96.232.6034.1	96.232.6054.1	96.232.6004.1
7	96.232.7034.1	96.232.7054.1	96.232.7004.1
8	96.232.8034.1	96.232.8054.1	96.232.8004.1
1	96.232.1036.7		96.232.1006.7
2	96.232.2036.7		96.232.2006.7
3	96.232.3036.7		96.232.3006.7
4	96.232.4036.7		96.232.4006.7
5	96.232.5036.7		96.232.5006.7
6	96.232.6036.7		96.232.6006.7
7	96.232.7036.7		96.232.7006.7
8	96.232.8036.7		96.232.8006.7

connection cable, male - free end

Cable color: black
 Color of coding: ■ black
 Application: 250 V with PE
 Marking of poles: L, N, PE

Cable color: leaves green
 Color of coding: ■ leaves green
 Application: 250/400 V with PE
 Marking of poles: 1, 2, PE

	H05Z1Z1-F halogen free B2ca s1 d1 a1	H05Z1Z1-F halogen free Cca s1 d1 a1	H05Z1Z1-F halogen free Dca s1 d2 a1
Length (m)	Art.No.	Art.No.	Art.No.
1	96.232.10B4.1	96.232.10C4.1	96.232.10D4.1
2	96.232.20B4.1	96.232.20C4.1	96.232.20D4.1
3			
4			
5			
6			
7			
8			
1	96.232.10B6.7	96.232.10C6.7	96.232.10D6.7
2	96.232.20B6.7	96.232.20C6.7	96.232.20D6.7
3			
4			
5			
6			
7			
8			



RST20I3, CABLE ASSEMBLY, 3-POLE

1.5 mm², 16 A



TECHNICAL DATA

Rated current:	16 A	Preparation of conductor ends:	ultrasonically compressed wire ends
Lockable:	self-locking (unlocking by tool)	type of construction:	Shrinkage tube
Additional technical data, see facts & data.			

mains connection cable, female - male CEE 7/4

H07RN-F halogenated

H05VV-F halogenated

Cable color:
Color of coding: ■ black
Application: 250 V with PE
Marking of poles: L, N, PE

Length (m)	Art.No.	Art.No.
	■ black	
1.5	99.712.0000.7	
2.5	99.713.0000.7	
4	99.716.0000.7	
5	99.718.0000.7	
8	99.717.0000.7	

Cable color:
Color of coding: □ light grey
Application: 250 V with PE
Marking of poles: L, N, PE

		■ Grey
1.5		99.714.0000.7
2.5		99.715.0000.7



mains connection cable, male - female CEE 7/4

H07RN-F halogenated

Cable color:
Color of coding: ■ black
Application: 250 V with PE
Marking of poles: L, N, PE

Length (m)	Art.No.
	■ black
0.5	99.719.0000.7

RST20I3, CABLE ASSEMBLY, 3-POLE

1.5 mm², 16 A



TECHNICAL DATA

Rated current:	16 A	Preparation of conductor ends:	ultrasonically compressed wire ends
Lockable:	self-locking (unlocking by tool)	Additional technical data, see facts & data.	

connection cable, female - free end, for pole socket

Cable color:	■ black
Color of coding:	■ black
Application:	250 V with PE
Marking of poles:	L, N, PE

H05VV-F
halogenated
Eca

Length (m)	Art.No.
------------	---------

1	99.513.0000.7
2	99.514.0000.7
3	99.515.0000.7
4	99.516.0000.7
5	99.517.0000.7
6	99.518.0000.7
8	99.535.0000.7
9	99.533.0000.7

RST20I3, CABLE ASSEMBLY, 3-POLE

2.5 mm², 20 A



TECHNICAL DATA

Rated current: 20 A
 Degree of protection (IP): IP66/68 (3m;2h)
 Lockable: self-locking (unlocking by tool)

type of construction: Shrinkage tube
 Additional technical data, see facts & data.

connecting cable, female - male

Cable color: black
 Color of coding: black
 Application: 250 V with PE
 Marking of poles: L, N, PE

Cable color: leaves green
 Color of coding: leaves green
 Application: 250/400 V with PE
 Marking of poles: 1, 2, PE

Length (m)	H07RN-F halogenated	H05VV-F halogenated Eca	H05Z1Z1-F halogen free B2ca s1 d1 a1
	Art.No.	Art.No.	Art.No.
	black	black	black
1	96.233.1030.1	96.233.1000.1	96.233.10B0.1
2	96.233.2030.1	96.233.2000.1	96.233.20B0.1
3	96.233.3030.1	96.233.3000.1	96.233.30B0.1
4	96.233.4030.1	96.233.4000.1	
5	96.233.5030.1	96.233.5000.1	
6	96.233.6030.1	96.233.6000.1	
7	96.233.7030.1	96.233.7000.1	
8	96.233.8030.1	96.233.8000.1	
	black	black	black
1	96.233.1031.7	96.233.1001.7	96.233.10B1.7
2	96.233.2031.7	96.233.2001.7	96.233.20B1.7
3	96.233.3031.7	96.233.3001.7	
4	96.233.4031.7	96.233.4001.7	
5	96.233.5031.7	96.233.5001.7	
6	96.233.6031.7	96.233.6001.7	
7	96.233.7031.7	96.233.7001.7	
8	96.233.8031.7	96.233.8001.7	

connecting cable, female - male

Cable color: black
 Color of coding: black
 Application: 250 V with PE
 Marking of poles: L, N, PE

Cable color: leaves green
 Color of coding: leaves green
 Application: 250/400 V with PE
 Marking of poles: 1, 2, PE

Length (m)	H05Z1Z1-F halogen free Cca s1 d1 a1	H05Z1Z1-F halogen free Dca s1 d2 a1	H05Z1Z1-F halogen free Eca
	Art.No.	Art.No.	Art.No.
	black	black	black
1	96.233.10C0.1	96.233.10D0.1	96.233.10G0.1
2	96.233.20C0.1	96.233.20D0.1	96.233.20G0.1
3			96.233.30G0.1
4			96.233.40G0.1
5		96.233.50D0.1	96.233.50G0.1
6		96.233.60D0.1	96.233.60G0.1
7			96.233.70G0.1
8			96.233.80G0.1
	black	black	
1	96.233.10C1.7	96.233.10D1.7	
2	96.233.20C1.7	96.233.20D1.7	
3			
4			
5			
6			
7			
8			



RST20I3, CABLE ASSEMBLY, 3-POLE

2.5 mm², 20 A



TECHNICAL DATA

Rated current:	20 A	Preparation of conductor ends:	ultrasonically compressed wire ends
Degree of protection (IP):	IP66/68 (3m;2h)	type of construction:	Shrinkage tube
Lockable:	self-locking (unlocking by tool)	Additional technical data, see facts & data.	

connection cable, female - free end

Cable color: black
 Color of coding: black
 Application: 250 V with PE
 Marking of poles: L, N, PE

Cable color: leaves green
 Color of coding: leaves green
 Application: 250/400 V with PE
 Marking of poles: 1, 2, PE

Length (m)	H07RN-F halogenated	H05VV-F halogenated Eca	H05Z1Z1-F halogen free B2ca s1 d1 a1
	Art.No.	Art.No.	Art.No.
1	96.233.1033.1	96.233.1003.1	96.233.10B3.1
2	96.233.2033.1	96.233.2003.1	96.233.20B3.1
3	96.233.3033.1	96.233.3003.1	
4	96.233.4033.1	96.233.4003.1	
5	96.233.5033.1	96.233.5003.1	
6	96.233.6033.1	96.233.6003.1	
7	96.233.7033.1	96.233.7003.1	
8	96.233.8033.1	96.233.8003.1	
1	96.233.1035.7	96.233.1005.7	96.233.10B5.7
2	96.233.2035.7	96.233.2005.7	96.233.20B5.7
3	96.233.3035.7	96.233.3005.7	
4	96.233.4035.7	96.233.4005.7	
5	96.233.5035.7	96.233.5005.7	
6	96.233.6035.7	96.233.6005.7	
7	96.233.7035.7	96.233.7005.7	
8	96.233.8035.7	96.233.8005.7	



connection cable, female - free end

Cable color: black
 Color of coding: black
 Application: 250 V with PE
 Marking of poles: L, N, PE

Cable color: leaves green
 Color of coding: leaves green
 Application: 250/400 V with PE
 Marking of poles: 1, 2, PE

Length (m)	H05Z1Z1-F halogen free Cca s1 d1 a1	H05Z1Z1-F halogen free Dca s1 d2 a1	H05Z1Z1-F halogen free Eca
	Art.No.	Art.No.	Art.No.
1	96.233.10C3.1	96.233.10D3.1	96.233.10E3.1
2	96.233.20C3.1	96.233.20D3.1	96.233.20E3.1
3			96.233.30E3.1
4			96.233.40E3.1
5			96.233.50E3.1
6			96.233.60E3.1
7			96.233.70E3.1
8			96.233.80E3.1
1	96.233.10C5.7	96.233.10D5.7	
2	96.233.20C5.7	96.233.20D5.7	
3			
4			
5			
6			
7			
8			

RST20I3, CABLE ASSEMBLY, 3-POLE

2.5 mm², 20 A



TECHNICAL DATA

Rated current: 20 A
 Degree of protection (IP): IP66/68 (3m;2h)
 Lockable: self-locking (unlocking by tool)

Preparation of conductor ends: ultrasonically compressed wire ends
 type of construction: Shrinkage tube
 Additional technical data, see facts & data.

connection cable, male - free end

Cable color: black
 Color of coding: black
 Application: 250 V with PE
 Marking of poles: L, N, PE

Cable color: leaves green
 Color of coding: leaves green
 Application: 250/400 V with PE
 Marking of poles: 1, 2, PE

Length (m)	H07RN-F halogenated	H05VV-F halogenated Eca	H05Z1Z1-F halogen free B2ca s1 d1 a1
	Art.No.	Art.No.	Art.No.
	black	black	black
1	96.233.1034.1	96.233.1004.1	96.233.10B4.1
2	96.233.2034.1	96.233.2004.1	96.233.20B4.1
3	96.233.3034.1	96.233.3004.1	
4	96.233.4034.1	96.233.4004.1	
5	96.233.5034.1	96.233.5004.1	
6	96.233.6034.1	96.233.6004.1	
7	96.233.7034.1	96.233.7004.1	
8	96.233.8034.1	96.233.8004.1	
	black	black	black
1	96.233.1036.7	96.233.1006.7	96.233.10B6.7
2	96.233.2036.7	96.233.2006.7	96.233.20B6.7
3	96.233.3036.7	96.233.3006.7	
4	96.233.4036.7	96.233.4006.7	
5	96.233.5036.7	96.233.5006.7	
6	96.233.6036.7	96.233.6006.7	
7	96.233.7036.7	96.233.7006.7	
8	96.233.8036.7	96.233.8006.7	

connection cable, male - free end

Cable color: black
 Color of coding: black
 Application: 250 V with PE
 Marking of poles: L, N, PE

Cable color: leaves green
 Color of coding: leaves green
 Application: 250/400 V with PE
 Marking of poles: 1, 2, PE

Length (m)	H05Z1Z1-F halogen free Cca s1 d1 a1	H05Z1Z1-F halogen free Dca s1 d2 a1	H05Z1Z1-F halogen free Eca
	Art.No.	Art.No.	Art.No.
	black	black	black
1	96.233.10C4.1	96.233.10D4.1	96.233.10E4.1
2	96.233.20C4.1	96.233.20D4.1	
3			96.233.30E4.1
4			
5			96.233.50E4.1
6			
7			
8			
	black	black	
1	96.233.10C6.7	96.233.10D6.7	
2	96.233.20C6.7	96.233.20D6.7	
3			
4			
5			
6			
7			
8			



RST2014, CONNECTOR, 4-POLE

SCREW CONNECTION

TECHNICAL DATA

Rated current:	20 A	Cross section fine-stranded:	0,75 mm ² - 4 mm ²
Degree of protection (IP):	IP66/68 (3m;2h) /IP69	Connection cross section solid:	0,75 mm ² - 4 mm ²
Terminations per pole:	1	Additional technical data, see facts & data.	
Lockable:	self-locking (unlocking by tool)		

female



male



straight, for cables Ø 6-10 mm

Color of coding	Application	Marking of poles	female Art.No.	male Art.No.
■ black	250/400 V with PE	1, 2, 3, PE	96.041.4053.1	96.042.4053.1
□ light grey	250/400 V with PE	1, 2, 3, PE	96.041.4053.0	96.042.4053.0
■ signal brown	~50/-120 V	1, 2, 3, 4	96.041.4051.4	96.042.4051.4

female



male



straight, for cables Ø 10-14 mm

Color of coding	Application	Marking of poles	female Art.No.	male Art.No.
■ black	250/400 V with PE	1, 2, 3, PE	96.041.4153.1	96.042.4153.1
□ light grey	250/400 V with PE	1, 2, 3, PE	96.041.4153.0	96.042.4153.0
■ signal brown	~50/-120 V	1, 2, 3, 4	96.041.4151.4	96.042.4151.4

female



male



straight, for cables Ø 13-18 mm

Color of coding	Application	Marking of poles	female Art.No.	male Art.No.
■ black	250/400 V with PE	1, 2, 3, PE	96.041.4553.1	96.042.4553.1
□ light grey	250/400 V with PE	1, 2, 3, PE	96.041.4553.0	96.042.4553.0

female



male



angled 90°, for cables Ø 6-10 mm

Color of coding	Application	Marking of poles	female Art.No.	male Art.No.
■ black	250/400 V with PE	1, 2, 3, PE	96.043.4053.1	96.044.4053.1
□ light grey	250/400 V with PE	1, 2, 3, PE	96.043.4053.0	96.044.4053.0

female



male



angled 90°, for cables Ø 10-14 mm

Color of coding	Application	Marking of poles	female Art.No.	male Art.No.
■ black	250/400 V with PE	1, 2, 3, PE	96.043.4153.1	96.044.4153.1
□ light grey	250/400 V with PE	1, 2, 3, PE	96.043.4153.0	96.044.4153.0

female



splitter connector, for cables Ø 6-10 mm

Color of coding	Application	Marking of poles	female Art.No.
■ black	250/400 V with PE	1, 2, 3, PE	96.041.4253.1*
□ light grey	250/400 V with PE	1, 2, 3, PE	96.041.4253.0*

*) Alternative technical data, see facts & data.

RST20I4, CONNECTOR, 4-POLE

SCREW CONNECTION

TECHNICAL DATA

Rated current:	20 A	Cross section fine-stranded:	0,75 mm ² - 4 mm ²
Degree of protection (IP):	IP66/68 (3m;2h) /IP69	Connection cross section solid:	0,75 mm ² - 4 mm ²
Terminations per pole:	1	Additional technical data, see facts & data.	
Lockable:	self-locking (unlocking by tool)		

female



male



splitter connector, for cables Ø 10-14 mm

Color of coding	Application	Marking of poles	female Art.No.	male Art.No.
■ black	250/400 V with PE	1, 2, 3, PE	96.041.4353.1*	96.042.4353.1*
□ light grey	250/400 V with PE	1, 2, 3, PE	96.041.4353.0*	

*) Alternative technical data, see facts & data.

RST20I4, CONNECTOR, 4-POLE

CRIMP

TECHNICAL DATA

Rated current:	20 A	Lockable:	self-locking (unlocking by tool)
Degree of protection (IP):	IP66/68 (3m;2h) /IP69	Cross section fine-stranded:	0,75 mm ² - 4 mm ²
Terminations per pole:	1	Additional technical data, see facts & data.	

female



male



straight, for cables Ø 6-10 mm

Color of coding	Application	Marking of poles	female Art.No.	male Art.No.
■ black	250/400 V with PE	1, 2, 3, PE	96.141.0053.1	96.142.0053.1
□ light grey	250/400 V with PE	1, 2, 3, PE	96.141.0053.0	96.142.0053.0

female



male



straight, for cables Ø 10-14 mm

Color of coding	Application	Marking of poles	female Art.No.	male Art.No.
■ black	250/400 V with PE	1, 2, 3, PE	96.141.0153.1	96.142.0153.1
□ light grey	250/400 V with PE	1, 2, 3, PE	96.141.0153.0	96.142.0153.0

female



male



straight, for cables Ø 13-18 mm

Color of coding	Application	Marking of poles	female Art.No.	male Art.No.
■ black	250/400 V with PE	1, 2, 3, PE	96.141.0553.1	96.142.0553.1
□ light grey	250/400 V with PE	1, 2, 3, PE	96.141.0553.0	96.142.0553.0

female



male



angled 90°, for cables Ø 6-10 mm

Color of coding	Application	Marking of poles	female Art.No.	male Art.No.
■ black	250/400 V with PE	1, 2, 3, PE	96.143.0053.1	96.144.0053.1
□ light grey	250/400 V with PE	1, 2, 3, PE	96.143.0053.0	96.144.0053.0

female



male



angled 90°, for cables Ø 10-14 mm

Color of coding	Application	Marking of poles	female Art.No.	male Art.No.
■ black	250/400 V with PE	1, 2, 3, PE	96.143.0153.1	96.144.0153.1
□ light grey	250/400 V with PE	1, 2, 3, PE	96.143.0153.0	96.144.0153.0

RST20I4, DEVICE CONNECTOR, M16, 4-POLE

SCREW CONNECTION

TECHNICAL DATA

Rated current:	20 A	Cross section fine-stranded:	0,75 mm ² - 4 mm ²
Degree of protection (IP):	IP66/68 (3m;2h) /IP69	Connection cross section solid:	0,75 mm ² - 4 mm ²
Terminations per pole:	1	Additional technical data, see facts & data.	
Lockable:	self-locking (unlocking by tool)		

female

male



modular, straight

Color of coding	Application	Marking of poles	female Art.No.	male Art.No.
■ black	250/400 V with PE	1, 2, 3, PE	96.041.6153.1	96.042.6153.1
□ light grey	250/400 V with PE	1, 2, 3, PE	96.041.6153.0	96.042.6153.0

female

male



modular, angled 7°

Color of coding	Application	Marking of poles	female Art.No.	male Art.No.
■ black	250/400 V with PE	1, 2, 3, PE	96.045.6153.1	96.046.6153.1
□ light grey	250/400 V with PE	1, 2, 3, PE	96.045.6153.0	96.046.6153.0

CRIMP

TECHNICAL DATA

Rated current:	20 A	Lockable:	self-locking (unlocking by tool)
Degree of protection (IP):	IP66/68 (3m;2h) /IP69	Cross section fine-stranded:	0,75 mm ² - 4 mm ²
Terminations per pole:	1	Additional technical data, see facts & data.	

female

male



modular, straight

Color of coding	Application	Marking of poles	female Art.No.	male Art.No.
■ black	250/400 V with PE	1, 2, 3, PE	96.141.2153.1	96.142.2153.1
□ light grey	250/400 V with PE	1, 2, 3, PE	96.141.2153.0	96.142.2153.0

RST20I4, DEVICE CONNECTOR, M20, 4-POLE

SCREW CONNECTION

TECHNICAL DATA

Rated current:	20 A	Cross section fine-stranded:	0,75 mm ² - 4 mm ²
Degree of protection (IP):	IP66/68 (3m;2h) /IP69	Connection cross section solid:	0,75 mm ² - 4 mm ²
Terminations per pole:	1	Additional technical data, see facts & data.	
Lockable:	self-locking (unlocking by tool)		

female

male



modular, straight

Color of coding	Application	Marking of poles	female Art.No.	male Art.No.
■ black	250/400 V with PE	1, 2, 3, PE	96.041.6053.1	96.042.6053.1
□ light grey	250/400 V with PE	1, 2, 3, PE	96.041.6053.0	96.042.6053.0
■ signal brown	~50/-120 V	1, 2, 3, 4	96.041.6051.4	96.042.6051.4

female

male



modular, angled 90°

Color of coding	Application	Marking of poles	female Art.No.	male Art.No.
■ black	250/400 V with PE	1, 2, 3, PE	96.043.6053.1	96.044.6053.1
□ light grey	250/400 V with PE	1, 2, 3, PE	96.043.6053.0	96.044.6053.0
■ signal brown	~50/-120 V	1, 2, 3, 4		96.044.6051.4

CRIMP

TECHNICAL DATA

Rated current:	20 A	Lockable:	self-locking (unlocking by tool)
Degree of protection (IP):	IP66/68 (3m;2h) /IP69	Cross section fine-stranded:	0,75 mm ² - 4 mm ²
Terminations per pole:	1	Additional technical data, see facts & data.	

female

male



modular, straight

Color of coding	Application	Marking of poles	female Art.No.	male Art.No.
■ black	250/400 V with PE	1, 2, 3, PE	96.141.2053.1	96.142.2053.1
□ light grey	250/400 V with PE	1, 2, 3, PE	96.141.2053.0	96.142.2053.0

female

male



modular, angled 90°

Color of coding	Application	Marking of poles	female Art.No.	male Art.No.
■ black	250/400 V with PE	1, 2, 3, PE	96.143.2053.1	96.144.2053.1
□ light grey	250/400 V with PE	1, 2, 3, PE	96.143.2053.0	96.144.2053.0

RST2014, DEVICE CONNECTOR, M25, 4-POLE

SCREW CONNECTION

TECHNICAL DATA

Rated current:	20 A	Cross section fine-stranded:	0,75 mm ² - 4 mm ²
Degree of protection (IP):	IP66/68 (3m;2h) /IP69	Connection cross section solid:	0,75 mm ² - 4 mm ²
Terminations per pole:	1	Additional technical data, see facts & data.	
Lockable:	self-locking (unlocking by tool)		

female



male



standard, straight

Color of coding	Application	Marking of poles	female Art.No.	male Art.No.
■ black	250/400 V with PE	1, 2, 3, PE	96.041.5053.1	96.042.5053.1
□ light grey	250/400 V with PE	1, 2, 3, PE	96.041.5053.0	96.042.5053.0
■ signal brown	~50/-120 V	1, 2, 3, 4	96.041.5051.4	96.042.5051.4

female



male



modular, angled 90°

Color of coding	Application	Marking of poles	female Art.No.	male Art.No.
■ black	250/400 V with PE	1, 2, 3, PE	96.043.6253.1	96.044.6253.1
□ light grey	250/400 V with PE	1, 2, 3, PE	96.043.6253.0	96.044.6253.0
■ signal brown	~50/-120 V	1, 2, 3, 4	96.043.6251.4	96.044.6251.4

CRIMP

TECHNICAL DATA

Rated current:	20 A	Lockable:	self-locking (unlocking by tool)
Degree of protection (IP):	IP66/68 (3m;2h) /IP69	Cross section fine-stranded:	0,75 mm ² - 4 mm ²
Terminations per pole:	1	Additional technical data, see facts & data.	

female



male



standard, straight

Color of coding	Application	Marking of poles	female Art.No.	male Art.No.
■ black	250/400 V with PE	1, 2, 3, PE	96.141.1053.1	96.142.1053.1
□ light grey	250/400 V with PE	1, 2, 3, PE	96.141.1053.0	96.142.1053.0

female



male



modular, angled 90°

Color of coding	Application	Marking of poles	female Art.No.	male Art.No.
■ black	250/400 V with PE	1, 2, 3, PE	96.143.2253.1	96.144.2253.1
□ light grey	250/400 V with PE	1, 2, 3, PE	96.143.2253.0	96.144.2253.0

RST2014, DISTRIBUTOR, 4-POLE

TECHNICAL DATA

Rated current:	20 A	Lockable:	self-locking (unlocking by tool)
Degree of protection (IP):	IP66/68 (3m;2h) /IP69	Additional technical data, see facts & data.	



compact distributor 1l / 30, parallel connection, with fastening option

Color of coding	Application	Marking of poles	Art.No.
■ black	250/400 V with PE	1, 2, 3, PE	99.911.0000.7
■ signal brown	~50/-120 V	1, 2, 3, 4	96.040.0151.4

RST2014, CABLE ASSEMBLY, 4-POLE

1.5 mm², 16 A



TECHNICAL DATA

Rated current: 16 A
 Degree of protection (IP): IP66/68 (3m;2h) /IP69
 Lockable: self-locking (unlocking by tool)

type of construction: Cable screw gland
 Additional technical data, see facts & data.

connecting cable, female - male

Cable color: black
 Color of coding: ■ black
 Application: 250/400 V with PE
 Marking of poles: 1, 2, 3, PE

Length (m)	H07RN-F halogenated	H05VV-F halogenated Eca
	Art.No.	Art.No.
	■ black	■ black
1	96.442.1030.1	96.442.1000.1
2	96.442.2030.1	96.442.2000.1
3	96.442.3030.1	96.442.3000.1
4	96.442.4030.1	96.442.4000.1
5	96.442.5030.1	96.442.5000.1
6	96.442.6030.1	96.442.6000.1
7	96.442.7030.1	96.442.7000.1
8	96.442.8030.1	96.442.8000.1



TECHNICAL DATA

Rated current: 16 A
 Degree of protection (IP): IP66/68 (3m;2h) /IP69
 Lockable: self-locking (unlocking by tool)

Preparation of conductor ends: ultrasonically compressed wire ends
 type of construction: Cable screw gland
 Additional technical data, see facts & data.

connection cable, female - free end

Cable color: black
 Color of coding: ■ black
 Application: 250/400 V with PE
 Marking of poles: 1, 2, 3, PE

Length (m)	H07RN-F halogenated	H05VV-F halogenated Eca
	Art.No.	Art.No.
	■ black	■ black
1	96.442.1033.1	96.442.1003.1
2	96.442.2033.1	96.442.2003.1
3	96.442.3033.1	96.442.3003.1
4	96.442.4033.1	96.442.4003.1
5	96.442.5033.1	96.442.5003.1
6	96.442.6033.1	96.442.6003.1
7	96.442.7033.1	96.442.7003.1
8	96.442.8033.1	96.442.8003.1

RST20I4, CABLE ASSEMBLY, 4-POLE

1.5 mm², 16 A



TECHNICAL DATA

Rated current:	16 A	Preparation of conductor ends:	ultrasonically compressed wire ends
Degree of protection (IP):	IP66/68 (3m;2h) /IP69	type of construction:	Cable screw gland
Lockable:	self-locking (unlocking by tool)	Additional technical data, see facts & data.	

connection cable, male - free end

Cable color:	
Color of coding:	■ black
Application:	250/400 V with PE
Marking of poles:	1, 2, 3, PE

Length (m)	H07RN-F halogenated	H05VV-F halogenated Eca
	Art.No.	Art.No.
	■ black	■ black
1	96.442.1034.1	96.442.1004.1
2	96.442.2034.1	96.442.2004.1
3	96.442.3034.1	96.442.3004.1
4	96.442.4034.1	96.442.4004.1
5	96.442.5034.1	96.442.5004.1
6	96.442.6034.1	96.442.6004.1
7	96.442.7034.1	96.442.7004.1
8	96.442.8034.1	96.442.8004.1

RST20I4, CABLE ASSEMBLY, 4-POLE

2.5 mm², 20 A



TECHNICAL DATA

Rated current: 20 A
 Degree of protection (IP): IP66/68 (3m;2h) /IP69
 Lockable: self-locking (unlocking by tool)

type of construction: Cable screw gland
 Additional technical data, see facts & data.

connecting cable, female - male

Cable color: ■ black
 Color of coding: ■ black
 Application: 250/400 V with PE
 Marking of poles: 1, 2, 3, PE

Length (m)	H07RN-F halogenated	H05VV-F halogenated Eca
	Art.No.	Art.No.
	■ black	■ black
1	96.443.1030.1	96.443.1000.1
2	96.443.2030.1	96.443.2000.1
3	96.443.3030.1	96.443.3000.1
4	96.443.4030.1	96.443.4000.1
5	96.443.5030.1	96.443.5000.1
6	96.443.6030.1	96.443.6000.1
7	96.443.7030.1	96.443.7000.1
8	96.443.8030.1	96.443.8000.1



TECHNICAL DATA

Rated current: 20 A
 Degree of protection (IP): IP66/68 (3m;2h) /IP69
 Lockable: self-locking (unlocking by tool)

Preparation of conductor ends: ultrasonically compressed wire ends
 type of construction: Cable screw gland
 Additional technical data, see facts & data.

connection cable, female - free end

Cable color: ■ black
 Color of coding: ■ black
 Application: 250/400 V with PE
 Marking of poles: 1, 2, 3, PE

Length (m)	H07RN-F halogenated	H05VV-F halogenated Eca
	Art.No.	Art.No.
	■ black	■ black
1	96.443.1033.1	96.443.1003.1
2	96.443.2033.1	96.443.2003.1
3	96.443.3033.1	96.443.3003.1
4	96.443.4033.1	96.443.4003.1
5	96.443.5033.1	96.443.5003.1
6	96.443.6033.1	96.443.6003.1
7	96.443.7033.1	96.443.7003.1
8	96.443.8033.1	96.443.8003.1

RST20I4, CABLE ASSEMBLY, 4-POLE

2.5 mm², 20 A



TECHNICAL DATA

Rated current:	20 A	Preparation of conductor ends:	ultrasonically compressed wire ends
Degree of protection (IP):	IP66/68 (3m;2h) /IP69	type of construction:	Cable screw gland
Lockable:	self-locking (unlocking by tool)	Additional technical data, see facts & data.	

connection cable, male - free end

Cable color:	
Color of coding:	■ black
Application:	250/400 V with PE
Marking of poles:	1, 2, 3, PE

Length (m)	H07RN-F halogenated	H05VV-F halogenated Eca
	Art.No.	Art.No.
	■ black	■ black
1	96.443.1034.1	96.443.1004.1
2	96.443.2034.1	96.443.2004.1
3	96.443.3034.1	96.443.3004.1
4	96.443.4034.1	96.443.4004.1
5	96.443.5034.1	96.443.5004.1
6	96.443.6034.1	96.443.6004.1
7	96.443.7034.1	96.443.7004.1
8	96.443.8034.1	96.443.8004.1

RST2015, CONNECTOR, 5-POLE

SCREW CONNECTION

TECHNICAL DATA

Rated current:	20 A	Cross section fine-stranded:	0,75 mm ² - 4 mm ²
Degree of protection (IP):	IP66/68 (3m;2h) /IP69	Connection cross section solid:	0,75 mm ² - 4 mm ²
Terminations per pole:	1	Additional technical data, see facts & data.	
Lockable:	self-locking (unlocking by tool)		

female



male



straight, for cables Ø 6-10 mm

Color of coding	Application	Marking of poles	female Art.No.	male Art.No.
■ black	250/400 V with PE	1, 2, 3, N, PE	96.051.4053.1	96.052.4053.1
□ light grey	250/400 V with PE	1, 2, 3, N, PE	96.051.4053.0	96.052.4053.0
■ light blue	250/400 V	1, 2, 3, 4, 5	96.051.4053.9	96.052.4053.9
■ pebble grey	250/400 V	N, E, 1, 2, 3	96.051.4053.8	96.052.4053.8
■ turquoise blue	250 V with PE	D1, D2, L, PE, N	96.051.4053.6	96.052.4053.6
■ signal brown	~50/-120 V	1, 2, 3, 4, 5	96.051.4051.4	96.052.4051.4

female



male



straight, for cables Ø 10-14 mm

Color of coding	Application	Marking of poles	female Art.No.	male Art.No.
■ black	250/400 V with PE	1, 2, 3, N, PE	96.051.4153.1	96.052.4153.1
□ light grey	250/400 V with PE	1, 2, 3, N, PE	96.051.4153.0	96.052.4153.0
■ light blue	250/400 V	1, 2, 3, 4, 5	96.051.4153.9	96.052.4153.9
■ pebble grey	250/400 V	N, E, 1, 2, 3	96.051.4153.8	96.052.4153.8
■ turquoise blue	250 V with PE	D1, D2, L, PE, N	96.051.4153.6	96.052.4153.6
■ signal brown	~50/-120 V	1, 2, 3, 4, 5	96.051.4151.4	96.052.4151.4

female



male



straight, for cables Ø 13-18 mm

Color of coding	Application	Marking of poles	female Art.No.	male Art.No.
■ black	250/400 V with PE	1, 2, 3, N, PE	96.051.4553.1	96.052.4553.1
□ light grey	250/400 V with PE	1, 2, 3, N, PE	96.051.4553.0	96.052.4553.0
■ light blue	250/400 V	1, 2, 3, 4, 5	96.051.4553.9	96.052.4553.9
■ pebble grey	250/400 V	N, E, 1, 2, 3	96.051.4553.8	96.052.4553.8
■ turquoise blue	250 V with PE	D1, D2, L, PE, N	96.051.4553.6	96.052.4553.6
■ signal brown	~50/-120 V	1, 2, 3, 4, 5	96.051.4551.4	96.052.4551.4

female



male



angled 90°, for cables Ø 6-10 mm

Color of coding	Application	Marking of poles	female Art.No.	male Art.No.
■ black	250/400 V with PE	1, 2, 3, N, PE	96.053.4053.1	96.054.4053.1
□ light grey	250/400 V with PE	1, 2, 3, N, PE	96.053.4053.0	96.054.4053.0
■ light blue	250/400 V	1, 2, 3, 4, 5	96.053.4053.9	96.054.4053.9
■ turquoise blue	250 V with PE	D1, D2, L, PE, N	96.053.4053.6	96.054.4053.6
■ signal brown	~50/-120 V	1, 2, 3, 4, 5	96.053.4051.4	96.054.4051.4

female



male



angled 90°, for cables Ø 10-14 mm

Color of coding	Application	Marking of poles	female Art.No.	male Art.No.
■ black	250/400 V with PE	1, 2, 3, N, PE	96.053.4153.1	96.054.4153.1
□ light grey	250/400 V with PE	1, 2, 3, N, PE	96.053.4153.0	96.054.4153.0
■ light blue	250/400 V	1, 2, 3, 4, 5	96.053.4153.9	96.054.4153.9
■ turquoise blue	250 V with PE	D1, D2, L, PE, N	96.053.4153.6	96.054.4153.6
■ signal brown	~50/-120 V	1, 2, 3, 4, 5	96.053.4151.4	96.054.4151.4

female



male



splitter connector, for cables Ø 6-10 mm

Color of coding	Application	Marking of poles	female Art.No.	male Art.No.
■ black	250/400 V with PE	1, 2, 3, N, PE	96.051.4253.1*	96.052.4253.1*
□ light grey	250/400 V with PE	1, 2, 3, N, PE	96.051.4253.0*	96.052.4253.0*
■ light blue	250/400 V	1, 2, 3, 4, 5	96.051.4253.9*	
■ turquoise blue	250 V with PE	D1, D2, L, PE, N	96.051.4253.6*	96.052.4253.6*
■ signal brown	~50/-120 V	1, 2, 3, 4, 5	96.051.4251.4*	96.052.4251.4*

*) Alternative technical data, see facts & data.

RST20I5, CONNECTOR, 5-POLE

SCREW CONNECTION

TECHNICAL DATA

Rated current:	20 A	Cross section fine-stranded:	0,75 mm ² - 4 mm ²
Degree of protection (IP):	IP66/68 (3m;2h) /IP69	Connection cross section solid:	0,75 mm ² - 4 mm ²
Terminations per pole:	1	Additional technical data, see facts & data.	
Lockable:	self-locking (unlocking by tool)		

female



male



splitter connector, for cables Ø 10-14 mm

Color of coding	Application	Marking of poles	female Art.No.	male Art.No.
■ black	250/400 V with PE	1, 2, 3, N, PE	96.051.4353.1*	96.052.4353.1*
□ light grey	250/400 V with PE	1, 2, 3, N, PE	96.051.4353.0*	96.052.4353.0*
■ light blue	250/400 V	1, 2, 3, 4, 5	96.051.4353.9*	
■ turquoise blue	250 V with PE	D1, D2, L, PE, N	96.051.4353.6*	96.052.4353.6*
■ signal brown	~50/-120 V	1, 2, 3, 4, 5	96.051.4351.4*	

*) Alternative technical data, see facts & data.

RST2015, CONNECTOR, 5-POLE

CRIMP

TECHNICAL DATA

Rated current:	20 A	Lockable:	self-locking (unlocking by tool)
Degree of protection (IP):	IP66/68 (3m;2h) /IP69	Cross section fine-stranded:	0,75 mm ² - 4 mm ²
Terminations per pole:	1	Additional technical data, see facts & data.	

female

male



straight, for cables Ø 6-10 mm

female

male

Color of coding	Application	Marking of poles	Art.No.	Art.No.
■ black	250/400 V with PE	1, 2, 3, N, PE	96.151.0053.1	96.152.0053.1
□ light grey	250/400 V with PE	1, 2, 3, N, PE	96.151.0053.0	96.152.0053.0
■ light blue	250/400 V	1, 2, 3, 4, 5	96.151.0053.9	96.152.0053.9
■ turquoise blue	250 V with PE	D1, D2, L, PE, N	96.151.0053.6	96.152.0053.6
■ signal brown	~50/-120 V	1, 2, 3, 4, 5	96.151.0051.4	96.152.0051.4

female

male



straight, for cables Ø 10-14 mm

female

male

Color of coding	Application	Marking of poles	Art.No.	Art.No.
■ black	250/400 V with PE	1, 2, 3, N, PE	96.151.0153.1	96.152.0153.1
□ light grey	250/400 V with PE	1, 2, 3, N, PE	96.151.0153.0	96.152.0153.0
■ light blue	250/400 V	1, 2, 3, 4, 5	96.151.0153.9	96.152.0153.9
■ turquoise blue	250 V with PE	D1, D2, L, PE, N	96.151.0153.6	96.152.0153.6
■ signal brown	~50/-120 V	1, 2, 3, 4, 5	96.151.0151.4	96.152.0151.4

female

male



straight, for cables Ø 13-18 mm

female

male

Color of coding	Application	Marking of poles	Art.No.	Art.No.
■ black	250/400 V with PE	1, 2, 3, N, PE	96.151.0553.1	96.152.0553.1
□ light grey	250/400 V with PE	1, 2, 3, N, PE	96.151.0553.0	96.152.0553.0
■ light blue	250/400 V	1, 2, 3, 4, 5	96.151.0553.9	96.152.0553.9
■ turquoise blue	250 V with PE	D1, D2, L, PE, N	96.151.0553.6	96.152.0553.6
■ signal brown	~50/-120 V	1, 2, 3, 4, 5	96.151.0551.4	96.152.0551.4

female

male



angled 90°, for cables Ø 6-10 mm

female

male

Color of coding	Application	Marking of poles	Art.No.	Art.No.
■ black	250/400 V with PE	1, 2, 3, N, PE	96.153.0053.1	96.154.0053.1
□ light grey	250/400 V with PE	1, 2, 3, N, PE	96.153.0053.0	96.154.0053.0
■ light blue	250/400 V	1, 2, 3, 4, 5	96.153.0053.9	96.154.0053.9
■ turquoise blue	250 V with PE	D1, D2, L, PE, N	96.153.0053.6	96.154.0053.6
■ signal brown	~50/-120 V	1, 2, 3, 4, 5	96.153.0051.4	96.154.0051.4

female

male



angled 90°, for cables Ø 10-14 mm

female

male

Color of coding	Application	Marking of poles	Art.No.	Art.No.
■ black	250/400 V with PE	1, 2, 3, N, PE	96.153.0153.1	96.154.0153.1
□ light grey	250/400 V with PE	1, 2, 3, N, PE	96.153.0153.0	96.154.0153.0
■ light blue	250/400 V	1, 2, 3, 4, 5	96.153.0153.9	96.154.0153.9
■ turquoise blue	250 V with PE	D1, D2, L, PE, N	96.153.0153.6	96.154.0153.6
■ signal brown	~50/-120 V	1, 2, 3, 4, 5	96.153.0151.4	96.154.0151.4

RST20I5, DEVICE CONNECTOR, M16, 5-POLE

SCREW CONNECTION

TECHNICAL DATA

Rated current:	20 A	Cross section fine-stranded:	0,75 mm ² - 4 mm ²
Degree of protection (IP):	IP66/68 (3m;2h) /IP69	Connection cross section solid:	0,75 mm ² - 4 mm ²
Terminations per pole:	1	Additional technical data, see facts & data.	
Lockable:	self-locking (unlocking by tool)		

female



male



modular, straight

Color of coding	Application	Marking of poles	female Art.No.	male Art.No.
■ black	250/400 V with PE	1, 2, 3, N, PE	96.051.6153.1	96.052.6153.1
□ light grey	250/400 V with PE	1, 2, 3, N, PE	96.051.6153.0	96.052.6153.0
■ light blue	250/400 V	1, 2, 3, 4, 5	96.051.6153.9	96.052.6153.9
■ turquoise blue	250 V with PE	D1, D2, L, PE, N	96.051.6153.6	96.052.6153.6
■ signal brown	~50/-120 V	1, 2, 3, 4, 5	96.051.6151.4	96.052.6151.4

female



male



modular, angled 7°

Color of coding	Application	Marking of poles	female Art.No.	male Art.No.
■ black	250/400 V with PE	1, 2, 3, N, PE	96.055.6153.1	96.056.6153.1
□ light grey	250/400 V with PE	1, 2, 3, N, PE	96.055.6153.0	96.056.6153.0
■ turquoise blue	250 V with PE	D1, D2, L, PE, N	96.055.6153.6	96.056.6153.6

CRIMP

TECHNICAL DATA

Rated current:	20 A	Lockable:	self-locking (unlocking by tool)
Degree of protection (IP):	IP66/68 (3m;2h) /IP69	Cross section fine-stranded:	0,75 mm ² - 4 mm ²
Terminations per pole:	1	Additional technical data, see facts & data.	

female



male



modular, straight

Color of coding	Application	Marking of poles	female Art.No.	male Art.No.
■ black	250/400 V with PE	1, 2, 3, N, PE	96.151.2153.1	96.152.2153.1
□ light grey	250/400 V with PE	1, 2, 3, N, PE	96.151.2153.0	96.152.2153.0
■ light blue	250/400 V	1, 2, 3, 4, 5	96.151.2153.9	96.152.2153.9
■ turquoise blue	250 V with PE	D1, D2, L, PE, N	96.151.2153.6	96.152.2153.6
■ signal brown	~50/-120 V	1, 2, 3, 4, 5	96.151.2151.4	96.152.2151.4

female



male



modular, angled 7°

Color of coding	Application	Marking of poles	female Art.No.	male Art.No.
□ light grey	250/400 V with PE	1, 2, 3, N, PE	96.155.2153.0	96.156.2153.0

RST2015, DEVICE CONNECTOR, M20, 5-POLE

SCREW CONNECTION

TECHNICAL DATA

Rated current:	20 A	Cross section fine-stranded:	0,75 mm ² - 4 mm ²
Degree of protection (IP):	IP66/68 (3m;2h) /IP69	Connection cross section solid:	0,75 mm ² - 4 mm ²
Terminations per pole:	1	Additional technical data, see facts & data.	
Lockable:	self-locking (unlocking by tool)		

female



male



modular, straight

Color of coding	Application	Marking of poles	female Art.No.	male Art.No.
■ black	250/400 V with PE	1, 2, 3, N, PE	96.051.6053.1	96.052.6053.1
□ light grey	250/400 V with PE	1, 2, 3, N, PE	96.051.6053.0	96.052.6053.0
■ light blue	250/400 V	1, 2, 3, 4, 5	96.051.6053.9	96.052.6053.9
■ turquoise blue	250 V with PE	D1, D2, L, PE, N	96.051.6053.6	96.052.6053.6
■ signal brown	~50/-120 V	1, 2, 3, 4, 5	96.051.6051.4	96.052.6051.4

female



male



modular, angled 90°

Color of coding	Application	Marking of poles	female Art.No.	male Art.No.
■ black	250/400 V with PE	1, 2, 3, N, PE	96.053.6053.1	96.054.6053.1
□ light grey	250/400 V with PE	1, 2, 3, N, PE	96.053.6053.0	96.054.6053.0
■ light blue	250/400 V	1, 2, 3, 4, 5	96.053.6053.9	96.054.6053.9
■ turquoise blue	250 V with PE	D1, D2, L, PE, N	96.053.6053.6	96.054.6053.6
■ signal brown	~50/-120 V	1, 2, 3, 4, 5	96.053.6051.4	96.054.6051.4

CRIMP

TECHNICAL DATA

Rated current:	20 A	Lockable:	self-locking (unlocking by tool)
Degree of protection (IP):	IP66/68 (3m;2h) /IP69	Cross section fine-stranded:	0,75 mm ² - 4 mm ²
Terminations per pole:	1	Additional technical data, see facts & data.	

female



male



modular, straight

Color of coding	Application	Marking of poles	female Art.No.	male Art.No.
■ black	250/400 V with PE	1, 2, 3, N, PE	96.151.2053.1	96.152.2053.1
□ light grey	250/400 V with PE	1, 2, 3, N, PE	96.151.2053.0	96.152.2053.0
■ light blue	250/400 V	1, 2, 3, 4, 5	96.151.2053.9	96.152.2053.9
■ turquoise blue	250 V with PE	D1, D2, L, PE, N	96.151.2053.6	96.152.2053.6
■ signal brown	~50/-120 V	1, 2, 3, 4, 5	96.151.2051.4	96.152.2051.4

female



male



modular, angled 90°

Color of coding	Application	Marking of poles	female Art.No.	male Art.No.
■ black	250/400 V with PE	1, 2, 3, N, PE	96.153.2053.1	96.154.2053.1
□ light grey	250/400 V with PE	1, 2, 3, N, PE	96.153.2053.0	96.154.2053.0
■ light blue	250/400 V	1, 2, 3, 4, 5	96.153.2053.9	96.154.2053.9
■ turquoise blue	250 V with PE	D1, D2, L, PE, N	96.153.2053.6	96.154.2053.6
■ signal brown	~50/-120 V	1, 2, 3, 4, 5	96.153.2051.4	96.154.2051.4

RST2015, DEVICE CONNECTOR, M25, 5-POLE

SCREW CONNECTION

TECHNICAL DATA

Rated current:	20 A	Cross section fine-stranded:	0,75 mm ² - 4 mm ²
Degree of protection (IP):	IP66/68 (3m;2h) /IP69	Connection cross section solid:	0,75 mm ² - 4 mm ²
Terminations per pole:	1	Additional technical data, see facts & data.	
Lockable:	self-locking (unlocking by tool)		

female

male



standard, straight

Color of coding	Application	Marking of poles	female Art.No.	male Art.No.
■ black	250/400 V with PE	1, 2, 3, N, PE	96.051.5053.1	96.052.5053.1
□ light grey	250/400 V with PE	1, 2, 3, N, PE	96.051.5053.0	96.052.5053.0
■ light blue	250/400 V	1, 2, 3, 4, 5	96.051.5053.9	96.052.5053.9
■ turquoise blue	250 V with PE	D1, D2, L, PE, N	96.051.5053.6	96.052.5053.6
■ signal brown	~50/-120 V	1, 2, 3, 4, 5	96.051.5051.4	96.052.5051.4

female

male



modular, angled 90°

Color of coding	Application	Marking of poles	female Art.No.	male Art.No.
■ black	250/400 V with PE	1, 2, 3, N, PE	96.053.6253.1	96.054.6253.1
□ light grey	250/400 V with PE	1, 2, 3, N, PE	96.053.6253.0	96.054.6253.0
■ light blue	250/400 V	1, 2, 3, 4, 5	96.053.6253.9	96.054.6253.9
■ turquoise blue	250 V with PE	D1, D2, L, PE, N	96.053.6253.6	96.054.6253.6
■ signal brown	~50/-120 V	1, 2, 3, 4, 5	96.053.6251.4	96.054.6251.4

CRIMP

TECHNICAL DATA

Rated current:	20 A	Lockable:	self-locking (unlocking by tool)
Degree of protection (IP):	IP66/68 (3m;2h) /IP69	Cross section fine-stranded:	0,75 mm ² - 4 mm ²
Terminations per pole:	1	Additional technical data, see facts & data.	

female

male



standard, straight

Color of coding	Application	Marking of poles	female Art.No.	male Art.No.
■ black	250/400 V with PE	1, 2, 3, N, PE	96.151.1053.1	96.152.1053.1
□ light grey	250/400 V with PE	1, 2, 3, N, PE	96.151.1053.0	96.152.1053.0
■ light blue	250/400 V	1, 2, 3, 4, 5	96.151.1053.9	96.152.1053.9
■ pebble grey	250/400 V	N, E, 1, 2, 3	96.151.1053.8	96.152.1053.8
■ turquoise blue	250 V with PE	D1, D2, L, PE, N	96.151.1053.6	96.152.1053.6
■ signal brown	~50/-120 V	1, 2, 3, 4, 5	96.151.1051.4	96.152.1051.4

female

male



modular, angled 90°

Color of coding	Application	Marking of poles	female Art.No.	male Art.No.
■ black	250/400 V with PE	1, 2, 3, N, PE	96.153.2253.1	96.154.2253.1
□ light grey	250/400 V with PE	1, 2, 3, N, PE	96.153.2253.0	96.154.2253.0
■ light blue	250/400 V	1, 2, 3, 4, 5	96.153.2253.9	96.154.2253.9
■ turquoise blue	250 V with PE	D1, D2, L, PE, N	96.153.2253.6	96.154.2253.6
■ signal brown	~50/-120 V	1, 2, 3, 4, 5	96.153.2251.4	96.154.2251.4

RST2015, DISTRIBUTOR, 5-POLE

TECHNICAL DATA

Rated current:	20 A	Lockable:	self-locking (unlocking by tool)
Degree of protection (IP):	IP66/68 (3m;2h) /IP69	Additional technical data, see facts & data.	



compact distributor 11 / 20, parallel connection, with fastening option

Color of coding	Application	Marking of poles	Art.No.
■ black	250/400 V with PE	1, 2, 3, N, PE	96.050.1153.1



compact distributor 11 / 30, parallel connection, with fastening option

Color of coding	Application	Marking of poles	Art.No.
■ black	250/400 V with PE	1, 2, 3, N, PE	96.050.0153.1
□ light grey	250/400 V with PE	1, 2, 3, N, PE	96.050.0153.0
■ light blue	250/400 V	1, 2, 3, 4, 5	96.050.0153.9
■ turquoise blue	250 V with PE	D1, D2, L, PE, N	96.050.0153.6



compact distributor phase selection L1, with fastening option

Color of coding	Application	Marking of poles	Art.No.
■ black	250/400 V with PE	1, 2, 3, N, PE	96.050.3153.1



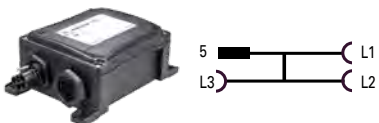
compact distributor phase selection L2, with fastening option

Color of coding	Application	Marking of poles	Art.No.
■ black	250/400 V with PE	1, 2, 3, N, PE	96.050.4153.1



compact distributor phase selection L3, with fastening option

Color of coding	Application	Marking of poles	Art.No.
■ black	250/400 V with PE	1, 2, 3, N, PE	96.050.5153.1



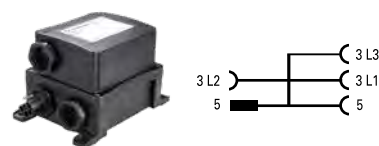
compact distributor phase selection L1, L2, L3, with fastening option

Color of coding	Application	Marking of poles	Art.No.
■ black	250/400 V with PE	1, 2, 3, N, PE	96.050.6153.1



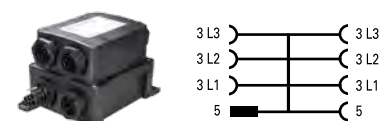
multi-distribution unit 11 / 50, parallel connection, with fastening option

Color of coding	Application	Marking of poles	Art.No.
■ black	250/400 V with PE	1, 2, 3, N, PE	96.050.2153.1



multi-distribution unit phase selection L1, L2, L3, with fastening option

Color of coding	Application	Marking of poles	Art.No.
■ black	250/400 V with PE	1, 2, 3, N, PE	99.902.0000.7



multi-distribution unit phase selection 2x L1, L2, L3, with fastening option

Color of coding	Application	Marking of poles	Art.No.
■ black	250/400 V with PE	1, 2, 3, N, PE	96.050.7153.1

RST2015, CABLE ASSEMBLY, 5-POLE

1.5 mm², 16 A



TECHNICAL DATA

Rated current: 16 A
 Degree of protection (IP): IP66/68 (3m;2h) /IP69
 Lockable: self-locking (unlocking by tool)
 type of construction: Cable screw gland
 Additional technical data, see facts & data.

connecting cable, female - male

Cable color:
 Color of coding: ■ black
 Application: 250/400 V with PE
 Marking of poles: 1, 2, 3, N, PE

Cable color:
 Color of coding: ■ turquoise blue
 Application: 250 V with PE
 Marking of poles: D1, D2, L, PE, N

Length (m)	H07RN-F	H07RN-F - Enhanced Version	H05VV-F
	halogenated	halogen free	halogenated Eca
	Art.No.	Art.No.	Art.No.
1	96.452.1030.1	96.452.1050.1	96.452.1000.1
2	96.452.2030.1	96.452.2050.1	96.452.2000.1
3	96.452.3030.1	96.452.3050.1	96.452.3000.1
4	96.452.4030.1	96.452.4050.1	96.452.4000.1
5	96.452.5030.1	96.452.5050.1	96.452.5000.1
6	96.452.6030.1	96.452.6050.1	96.452.6000.1
7	96.452.7030.1	96.452.7050.1	96.452.7000.1
8	96.452.8030.1	96.452.8050.1	96.452.8000.1
	■ black		■ black
1	96.452.1030.6		96.452.1000.6
2	96.452.2030.6		96.452.2000.6
3	96.452.3030.6		96.452.3000.6
4	96.452.4030.6		96.452.4000.6
5	96.452.5030.6		96.452.5000.6
6	96.452.6030.6		96.452.6000.6
7	96.452.7030.6		96.452.7000.6
8	96.452.8030.6		96.452.8000.6

connecting cable, female - male

Cable color:
 Color of coding: ■ black
 Application: 250/400 V with PE
 Marking of poles: 1, 2, 3, N, PE

Cable color:
 Color of coding: ■ turquoise blue
 Application: 250 V with PE
 Marking of poles: D1, D2, L, PE, N

Length (m)	H05Z1Z1-F	H05Z1Z1-F
	halogen free B2ca s1 d1 a1	halogen free Cca s1 d1 a1
	Art.No.	Art.No.
	■ black	■ black
1	96.452.10B0.1	96.452.10C0.1
2	96.452.20B0.1	96.452.20C0.1
3	96.452.30B0.1	96.452.30C0.1
4	96.452.40B0.1	96.452.40C0.1
5	96.452.50B0.1	96.452.50C0.1
6	96.452.60B0.1	96.452.60C0.1
7	96.452.70B0.1	96.452.70C0.1
8	96.452.80B0.1	96.452.80C0.1
	■ black	■ black
1	96.452.10B0.6	96.452.10C0.6
2	96.452.20B0.6	96.452.20C0.6
3	96.452.30B0.6	96.452.30C0.6
4	96.452.40B0.6	96.452.40C0.6
5	96.452.50B0.6	96.452.50C0.6
6	96.452.60B0.6	96.452.60C0.6
7	96.452.70B0.6	96.452.70C0.6
8	96.452.80B0.6	96.452.80C0.6

RST® CLASSIC

RST20I5, CABLE ASSEMBLY, 5-POLE

1.5 mm², 16 A



TECHNICAL DATA

Rated current:	16 A	Preparation of conductor ends:	ultrasonically compressed wire ends
Degree of protection (IP):	IP66/68 (3m;2h) /IP69	type of construction:	Cable screw gland
Lockable:	self-locking (unlocking by tool)	Additional technical data, see facts & data.	

connection cable, female - free end

Cable color: black
 Color of coding: ■ black
 Application: 250/400 V with PE
 Marking of poles: 1, 2, 3, N, PE

Cable color: black
 Color of coding: ■ black
 Application: 250 V with PE
 Marking of poles: D1, D2, L, PE, N

Length (m)	H07RN-F	H07RN-F - Enhanced Version	H05VV-F
	halogenated	halogen free	halogenated Eca
	Art.No.	Art.No.	Art.No.
1	96.452.1033.1	96.452.1053.1	96.452.1003.1
2	96.452.2033.1	96.452.2053.1	96.452.2003.1
3	96.452.3033.1	96.452.3053.1	96.452.3003.1
4	96.452.4033.1	96.452.4053.1	96.452.4003.1
5	96.452.5033.1	96.452.5053.1	96.452.5003.1
6	96.452.6033.1	96.452.6053.1	96.452.6003.1
7	96.452.7033.1	96.452.7053.1	96.452.7003.1
8	96.452.8033.1	96.452.8053.1	96.452.8003.1
1	96.452.1033.6		96.452.1003.6
2	96.452.2033.6		96.452.2003.6
3	96.452.3033.6		96.452.3003.6
4	96.452.4033.6		96.452.4003.6
5	96.452.5033.6		96.452.5003.6
6	96.452.6033.6		96.452.6003.6
7	96.452.7033.6		96.452.7003.6
8	96.452.8033.6		96.452.8003.6

connection cable, female - free end

Cable color: black
 Color of coding: ■ black
 Application: 250/400 V with PE
 Marking of poles: 1, 2, 3, N, PE

Cable color: black
 Color of coding: ■ black
 Application: 250 V with PE
 Marking of poles: D1, D2, L, PE, N

Length (m)	H05Z1Z1-F	H05Z1Z1-F
	halogen free B2ca s1 d1 a1	halogen free Cca s1 d1 a1
	Art.No.	Art.No.
1	96.452.10B3.1	96.452.10C3.1
2	96.452.20B3.1	96.452.20C3.1
3	96.452.30B3.1	96.452.30C3.1
4	96.452.40B3.1	96.452.40C3.1
5	96.452.50B3.1	96.452.50C3.1
6	96.452.60B3.1	96.452.60C3.1
7	96.452.70B3.1	96.452.70C3.1
8	96.452.80B3.1	96.452.80C3.1
1	96.452.10B3.6	96.452.10C3.6
2	96.452.20B3.6	96.452.20C3.6
3	96.452.30B3.6	96.452.30C3.6
4	96.452.40B3.6	96.452.40C3.6
5	96.452.50B3.6	96.452.50C3.6
6	96.452.60B3.6	96.452.60C3.6
7	96.452.70B3.6	96.452.70C3.6
8		

RST20I5, CABLE ASSEMBLY, 5-POLE

1.5 mm², 16 A



TECHNICAL DATA

Rated current:	16 A	Preparation of conductor ends:	ultrasonically compressed wire ends
Degree of protection (IP):	IP66/68 (3m;2h) /IP69	type of construction:	Cable screw gland
Lockable:	self-locking (unlocking by tool)	Additional technical data, see facts & data.	

connection cable, male - free end

Cable color: black
 Color of coding: ■ black
 Application: 250/400 V with PE
 Marking of poles: 1, 2, 3, N, PE

Cable color: black
 Color of coding: ■ turquoise blue
 Application: 250 V with PE
 Marking of poles: D1, D2, L, PE, N

Length (m)	H07RN-F	H07RN-F - Enhanced Version	H05VV-F
	halogenated	halogen free	halogenated Eca
	Art.No.	Art.No.	Art.No.
1	96.452.1034.1	96.452.1054.1	96.452.1004.1
2	96.452.2034.1	96.452.2054.1	96.452.2004.1
3	96.452.3034.1	96.452.3054.1	96.452.3004.1
4	96.452.4034.1	96.452.4054.1	96.452.4004.1
5	96.452.5034.1	96.452.5054.1	96.452.5004.1
6	96.452.6034.1	96.452.6054.1	96.452.6004.1
7	96.452.7034.1	96.452.7054.1	96.452.7004.1
8	96.452.8034.1	96.452.8054.1	96.452.8004.1
1	96.452.1034.6		96.452.1004.6
2	96.452.2034.6		96.452.2004.6
3	96.452.3034.6		96.452.3004.6
4	96.452.4034.6		96.452.4004.6
5	96.452.5034.6		96.452.5004.6
6	96.452.6034.6		96.452.6004.6
7	96.452.7034.6		96.452.7004.6
8	96.452.8034.6		96.452.8004.6

connection cable, male - free end

Cable color: black
 Color of coding: ■ black
 Application: 250/400 V with PE
 Marking of poles: 1, 2, 3, N, PE

Cable color: black
 Color of coding: ■ turquoise blue
 Application: 250 V with PE
 Marking of poles: D1, D2, L, PE, N

Length (m)	H05Z1Z1-F	H05Z1Z1-F
	halogen free B2ca s1 d1 a1	halogen free Cca s1 d1 a1
	Art.No.	Art.No.
1	96.452.10B4.1	96.452.10C4.1
2	96.452.20B4.1	96.452.20C4.1
3	96.452.30B4.1	96.452.30C4.1
4	96.452.40B4.1	96.452.40C4.1
5	96.452.50B4.1	96.452.50C4.1
6	96.452.60B4.1	96.452.60C4.1
7	96.452.70B4.1	96.452.70C4.1
8	96.452.80B4.1	96.452.80C4.1
1	96.452.10B4.6	96.452.10C4.6
2	96.452.20B4.6	96.452.20C4.6
3	96.452.30B4.6	96.452.30C4.6
4	96.452.40B4.6	96.452.40C4.6
5	96.452.50B4.6	96.452.50C4.6
6		
7	96.452.70B4.6	96.452.70C4.6
8	96.452.80B4.6	96.452.80C4.6



RST® CLASSIC

RST20I5, CABLE ASSEMBLY, 5-POLE

2.5 mm², 20 A



TECHNICAL DATA

Rated current: 20 A
 Degree of protection (IP): IP66/68 (3m;2h) /IP69
 Lockable: self-locking (unlocking by tool)
 type of construction: Cable screw gland
 Additional technical data, see facts & data.

connecting cable, female - male

Cable color:
 Color of coding: ■ black
 Application: 250/400 V with PE
 Marking of poles: 1, 2, 3, N, PE

Cable color:
 Color of coding: ■ turquoise blue
 Application: 250 V with PE
 Marking of poles: D1, D2, L, PE, N

Length (m)	H07RN-F	H07RN-F - Enhanced Version	H05VV-F
	halogenated	halogen free	halogenated Eca
	Art.No.	Art.No.	Art.No.
1	96.453.1030.1	96.453.1050.1	96.453.1000.1
2	96.453.2030.1	96.453.2050.1	96.453.2000.1
3	96.453.3030.1	96.453.3050.1	96.453.3000.1
4	96.453.4030.1	96.453.4050.1	96.453.4000.1
5	96.453.5030.1	96.453.5050.1	96.453.5000.1
6	96.453.6030.1	96.453.6050.1	96.453.6000.1
7	96.453.7030.1	96.453.7050.1	96.453.7000.1
8	96.453.8030.1	96.453.8050.1	96.453.8000.1
1	96.453.1030.6		96.453.1000.6
2	96.453.2030.6		96.453.2000.6
3	96.453.3030.6		96.453.3000.6
4	96.453.4030.6		96.453.4000.6
5	96.453.5030.6		96.453.5000.6
6	96.453.6030.6		96.453.6000.6
7	96.453.7030.6		96.453.7000.6
8	96.453.8030.6		96.453.8000.6

connecting cable, female - male

Cable color:
 Color of coding: ■ black
 Application: 250/400 V with PE
 Marking of poles: 1, 2, 3, N, PE

Cable color:
 Color of coding: ■ turquoise blue
 Application: 250 V with PE
 Marking of poles: D1, D2, L, PE, N

Length (m)	H05Z1Z1-F	H05Z1Z1-F	H05Z1Z1-F
	halogen free B2ca s1 d1 a1	halogen free Cca s1 d1 a1	halogen free Dca s1 d2 a1
	Art.No.	Art.No.	Art.No.
1	96.453.10B0.1	96.453.10C0.1	96.453.10D0.1
2	96.453.20B0.1	96.453.20C0.1	96.453.20D0.1
3	96.453.30B0.1	96.453.30C0.1	96.453.30D0.1
4	96.453.40B0.1	96.453.40C0.1	96.453.40D0.1
5	96.453.50B0.1	96.453.50C0.1	96.453.50D0.1
6	96.453.60B0.1	96.453.60C0.1	96.453.60D0.1
7	96.453.70B0.1	96.453.70C0.1	96.453.70D0.1
8	96.453.80B0.1	96.453.80C0.1	
1	96.453.10B0.6	96.453.10C0.6	96.453.10D0.6
2	96.453.20B0.6	96.453.20C0.6	96.453.20D0.6
3	96.453.30B0.6	96.453.30C0.6	96.453.30D0.6
4	96.453.40B0.6	96.453.40C0.6	96.453.40D0.6
5	96.453.50B0.6	96.453.50C0.6	96.453.50D0.6
6	96.453.60B0.6	96.453.60C0.6	96.453.60D0.6
7	96.453.70B0.6	96.453.70C0.6	96.453.70D0.6
8	96.453.80B0.6	96.453.80C0.6	96.453.80D0.6

RST2015, CABLE ASSEMBLY, 5-POLE

2.5 mm², 20 A



TECHNICAL DATA

Rated current:	20 A	Preparation of conductor ends:	ultrasonically compressed wire ends
Degree of protection (IP):	IP66/68 (3m;2h) /IP69	type of construction:	Cable screw gland
Lockable:	self-locking (unlocking by tool)	Additional technical data, see facts & data.	

connection cable, female - free end

Cable color: black
 Color of coding: ■ black
 Application: 250/400 V with PE
 Marking of poles: 1, 2, 3, N, PE

Cable color: black
 Color of coding: ■ black
 Application: 250 V with PE
 Marking of poles: D1, D2, L, PE, N

Length (m)	H07RN-F	H07RN-F - Enhanced Version	H05VV-F
	halogenated	halogen free	halogenated Eca
	Art.No.	Art.No.	Art.No.
1	96.453.1033.1	96.453.1053.1	96.453.1003.1
2	96.453.2033.1	96.453.2053.1	96.453.2003.1
3	96.453.3033.1	96.453.3053.1	96.453.3003.1
4	96.453.4033.1	96.453.4053.1	96.453.4003.1
5	96.453.5033.1	96.453.5053.1	96.453.5003.1
6	96.453.6033.1	96.453.6053.1	96.453.6003.1
7	96.453.7033.1	96.453.7053.1	96.453.7003.1
8	96.453.8033.1	96.453.8053.1	96.453.8003.1
1	96.453.1033.6		96.453.1003.6
2	96.453.2033.6		96.453.2003.6
3	96.453.3033.6		96.453.3003.6
4	96.453.4033.6		96.453.4003.6
5	96.453.5033.6		96.453.5003.6
6	96.453.6033.6		96.453.6003.6
7	96.453.7033.6		96.453.7003.6
8	96.453.8033.6		96.453.8003.6

connection cable, female - free end

Cable color: black
 Color of coding: ■ black
 Application: 250/400 V with PE
 Marking of poles: 1, 2, 3, N, PE

Cable color: black
 Color of coding: ■ black
 Application: 250 V with PE
 Marking of poles: D1, D2, L, PE, N

Length (m)	H05Z1Z1-F	H05Z1Z1-F	H05Z1Z1-F
	halogen free B2ca s1 d1 a1	halogen free Cca s1 d1 a1	halogen free Dca s1 d2 a1
	Art.No.	Art.No.	Art.No.
1	96.453.10B3.1	96.453.10C3.1	96.453.10D3.1
2	96.453.20B3.1	96.453.20C3.1	96.453.20D3.1
3	96.453.30B3.1	96.453.30C3.1	96.453.30D3.1
4	96.453.40B3.1	96.453.40C3.1	96.453.40D3.1
5	96.453.50B3.1	96.453.50C3.1	96.453.50D3.1
6	96.453.60B3.1	96.453.60C3.1	96.453.60D3.1
7	96.453.70B3.1	96.453.70C3.1	96.453.70D3.1
8	96.453.80B3.1	96.453.80C3.1	96.453.80D3.1
1	96.453.10B3.6	96.453.10C3.6	96.453.10D3.6
2	96.453.20B3.6	96.453.20C3.6	96.453.20D3.6
3	96.453.30B3.6	96.453.30C3.6	96.453.30D3.6
4	96.453.40B3.6	96.453.40C3.6	96.453.40D3.6
5	96.453.50B3.6	96.453.50C3.6	96.453.50D3.6
6	96.453.60B3.6	96.453.60C3.6	96.453.60D3.6
7			
8	96.453.80B3.6	96.453.80C3.6	96.453.80D3.6

RST® CLASSIC

RST20I5, CABLE ASSEMBLY, 5-POLE

2.5 mm², 20 A



TECHNICAL DATA

Rated current:	20 A	Preparation of conductor ends:	ultrasonically compressed wire ends
Degree of protection (IP):	IP66/68 (3m;2h) /IP69	type of construction:	Cable screw gland
Lockable:	self-locking (unlocking by tool)	Additional technical data, see facts & data.	

connection cable, male - free end

Cable color: black
 Color of coding: ■ black
 Application: 250/400 V with PE
 Marking of poles: 1, 2, 3, N, PE

Cable color: black
 Color of coding: ■ black
 Application: 250 V with PE
 Marking of poles: D1, D2, L, PE, N

Length (m)	H07RN-F	H07RN-F - Enhanced Version	H05VV-F
	halogenated	halogen free	halogenated Eca
	Art.No.	Art.No.	Art.No.
1	96.453.1034.1	96.453.1054.1	96.453.1004.1
2	96.453.2034.1	96.453.2054.1	96.453.2004.1
3	96.453.3034.1	96.453.3054.1	96.453.3004.1
4	96.453.4034.1	96.453.4054.1	96.453.4004.1
5	96.453.5034.1	96.453.5054.1	96.453.5004.1
6	96.453.6034.1	96.453.6054.1	96.453.6004.1
7	96.453.7034.1	96.453.7054.1	96.453.7004.1
8	96.453.8034.1	96.453.8054.1	96.453.8004.1
1	96.453.1034.6		96.453.1004.6
2	96.453.2034.6		96.453.2004.6
3	96.453.3034.6		96.453.3004.6
4	96.453.4034.6		96.453.4004.6
5	96.453.5034.6		96.453.5004.6
6	96.453.6034.6		96.453.6004.6
7	96.453.7034.6		96.453.7004.6
8	96.453.8034.6		96.453.8004.6

connection cable, male - free end

Cable color: black
 Color of coding: ■ black
 Application: 250/400 V with PE
 Marking of poles: 1, 2, 3, N, PE

Cable color: black
 Color of coding: ■ black
 Application: 250 V with PE
 Marking of poles: D1, D2, L, PE, N

Length (m)	H05Z1Z1-F	H05Z1Z1-F	H05Z1Z1-F
	halogen free B2ca s1 d1 a1	halogen free Cca s1 d1 a1	halogen free Dca s1 d2 a1
	Art.No.	Art.No.	Art.No.
1	96.453.10B4.1	96.453.10C4.1	96.453.10D4.1
2	96.453.20B4.1	96.453.20C4.1	96.453.20D4.1
3	96.453.30B4.1	96.453.30C4.1	96.453.30D4.1
4	96.453.40B4.1	96.453.40C4.1	96.453.40D4.1
5	96.453.50B4.1	96.453.50C4.1	96.453.50D4.1
6	96.453.60B4.1	96.453.60C4.1	96.453.60D4.1
7	96.453.70B4.1	96.453.70C4.1	96.453.70D4.1
8	96.453.80B4.1	96.453.80C4.1	96.453.80D0.1
1	96.453.10B4.6	96.453.10C4.6	96.453.10D4.6
2	96.453.20B4.6	96.453.20C4.6	96.453.20D4.6
3	96.453.30B4.6	96.453.30C4.6	96.453.30D4.6
4	96.453.40B4.6	96.453.40C4.6	96.453.40D4.6
5	96.453.50B4.6	96.453.50C4.6	96.453.50D4.6
6			
7			
8			

RST2015, CABLE ASSEMBLY, 5-POLE

4 mm², 20 A



TECHNICAL DATA

Rated current: 20 A
 Degree of protection (IP): IP66/68 (3m;2h) /IP69
 Lockable: self-locking (unlocking by tool)

type of construction: Cable screw gland
 Additional technical data, see facts & data.

connecting cable, female - male

Cable color: black
 Color of coding: black
 Application: 250/400 V with PE
 Marking of poles: 1, 2, 3, N, PE

Cable color: black
 Color of coding: turquoise blue
 Application: 250 V with PE
 Marking of poles: D1, D2, L, PE, N

Length (m)	H07RN-F halogenated	H05VV-F halogenated
	Art.No.	Art.No.
	black	black
1	96.454.1030.1	96.454.1000.1
2	96.454.2030.1	96.454.2000.1
3	96.454.3030.1	96.454.3000.1
4	96.454.4030.1	96.454.4000.1
5	96.454.5030.1	96.454.5000.1
6	96.454.6030.1	96.454.6000.1
7	96.454.7030.1	96.454.7000.1
8	96.454.8030.1	96.454.8000.1
	black	black
1	96.454.1030.6	96.454.1000.6
2	96.454.2030.6	96.454.2000.6
3	96.454.3030.6	96.454.3000.6
4	96.454.4030.6	96.454.4000.6
5	96.454.5030.6	96.454.5000.6
6	96.454.6030.6	96.454.6000.6
7	96.454.7030.6	96.454.7000.6
8	96.454.8030.6	96.454.8000.6

TECHNICAL DATA

Rated current: 20 A
 Degree of protection (IP): IP66/68 (3m;2h) /IP69
 Lockable: self-locking (unlocking by tool)

Preparation of conductor ends: ultrasonically compressed wire ends
 type of construction: Cable screw gland
 Additional technical data, see facts & data.

connection cable, female - free end

Cable color: black
 Color of coding: black
 Application: 250/400 V with PE
 Marking of poles: 1, 2, 3, N, PE

Cable color: black
 Color of coding: turquoise blue
 Application: 250 V with PE
 Marking of poles: D1, D2, L, PE, N

Length (m)	H07RN-F halogenated	H05VV-F halogenated
	Art.No.	Art.No.
	black	black
1	96.454.1033.1	96.454.1003.1
2	96.454.2033.1	96.454.2003.1
3	96.454.3033.1	96.454.3003.1
4	96.454.4033.1	96.454.4003.1
5	96.454.5033.1	96.454.5003.1
6	96.454.6033.1	96.454.6003.1
7	96.454.7033.1	96.454.7003.1
8	96.454.8033.1	96.454.8003.1
	black	black
1	96.454.1033.6	96.454.1003.6
2	96.454.2033.6	96.454.2003.6
3	96.454.3033.6	96.454.3003.6
4	96.454.4033.6	96.454.4003.6
5	96.454.5033.6	96.454.5003.6
6	96.454.6033.6	96.454.6003.6
7	96.454.7033.6	96.454.7003.6
8	96.454.8033.6	96.454.8003.6



RST20I5, CABLE ASSEMBLY, 5-POLE

4 mm², 20 A



TECHNICAL DATA

Rated current:	20 A	Preparation of conductor ends:	ultrasonically compressed wire ends
Degree of protection (IP):	IP66/68 (3m;2h) /IP69	type of construction:	Cable screw gland
Lockable:	self-locking (unlocking by tool)	Additional technical data, see facts & data.	

connection cable, male - free end

Cable color: ■ black
 Color of coding: ■ black
 Application: 250/400 V with PE
 Marking of poles: 1, 2, 3, N, PE

Cable color: ■ black
 Color of coding: ■ turquoise blue
 Application: 250 V with PE
 Marking of poles: D1, D2, L, PE, N

H07RN-F halogenated H05VV-F halogenated

Length (m)	Art.No.	Art.No.
	■ black	■ black
1	96.454.1034.1	96.454.1004.1
2	96.454.2034.1	96.454.2004.1
3	96.454.3034.1	96.454.3004.1
4	96.454.4034.1	96.454.4004.1
5	96.454.5034.1	96.454.5004.1
6	96.454.6034.1	96.454.6004.1
7	96.454.7034.1	96.454.7004.1
8	96.454.8034.1	96.454.8004.1
	■ black	■ black
1	96.454.1034.6	96.454.1004.6
2	96.454.2034.6	96.454.2004.6
3	96.454.3034.6	96.454.3004.6
4	96.454.4034.6	96.454.4004.6
5	96.454.5034.6	96.454.5004.6
6	96.454.6034.6	96.454.6004.6
7	96.454.7034.6	96.454.7004.6
8	96.454.8034.6	96.454.8004.6

RST20I6, CONNECTOR, 6-POLE

SCREW CONNECTION

TECHNICAL DATA

Rated current:	16 A	Cross section fine-stranded:	0,2 mm ² - 1,5 mm ²
Degree of protection (IP):	IP66/68 (3m;2h) /IP69	Connection cross section solid:	0,2 mm ² - 1,5 mm ²
Terminations per pole:	1	Additional technical data, see facts & data.	
Lockable:	self-locking (unlocking by tool)		

female



straight, for cables Ø 6-10 mm, with longitudinal sealing

Color of coding	Application	Marking of poles	Art.No.
■ turquoise blue	250/400 V with PE	L, N, PE, 1, 2, Ls	9L.061.4053.6

female

male



straight, for cables Ø 6-10 mm

Color of coding	Application	Marking of poles	Art.No.	Art.No.
■ turquoise blue	250/400 V with PE	L, N, PE, 1, 2, Ls	96.061.4053.6	96.062.4053.6

TECHNICAL DATA

Rated current:	20 A	Cross section fine-stranded:	0,2 mm ² - 2,5 mm ²
Degree of protection (IP):	IP66/68 (3m;2h) /IP69	Connection cross section solid:	0,2 mm ² - 1,5 mm ²
Terminations per pole:	1	Additional technical data, see facts & data.	
Lockable:	self-locking (unlocking by tool)		

female



straight, for cables Ø 8-13 mm, with longitudinal sealing

Color of coding	Application	Marking of poles	Art.No.
■ turquoise blue	250/400 V with PE	L, N, PE, 1, 2, Ls	9L.061.4853.6

female

male



straight, for cables Ø 8-13 mm

Color of coding	Application	Marking of poles	Art.No.	Art.No.
■ turquoise blue	250/400 V with PE	L, N, PE, 1, 2, Ls	96.061.4853.6	96.062.4853.6

RST20I6, CONNECTOR, 6-POLE

SCREW CONNECTION

female



TECHNICAL DATA

Rated current:	16 A	Cross section fine-stranded:	0,2 mm ² - 1,5 mm ²
Degree of protection (IP):	IP66/68 (3m;2h) /IP69	Connection cross section solid:	0,2 mm ² - 1,5 mm ²
Terminations per pole:	1	Additional technical data, see facts & data.	
Lockable:	self-locking (unlocking by tool)		

straight, for cables Ø 10-14 mm, with longitudinal sealing

Color of coding	Application	Marking of poles	Art.No.
■ turquoise blue	250/400 V with PE	L, N, PE, 1, 2, Ls	9L.061.4153.6

female



male



straight, for cables Ø 10-14 mm

Color of coding	Application	Marking of poles	Art.No.	Art.No.
■ turquoise blue	250/400 V with PE	L, N, PE, 1, 2, Ls	96.061.4153.6	96.062.4153.6

TECHNICAL DATA

Rated current:	20 A	Cross section fine-stranded:	0,2 mm ² - 2,5 mm ²
Degree of protection (IP):	IP66/68 (3m;2h) /IP69	Connection cross section solid:	0,2 mm ² - 1,5 mm ²
Terminations per pole:	1	Additional technical data, see facts & data.	
Lockable:	self-locking (unlocking by tool)		

female



straight, for cables Ø 13-18 mm, with longitudinal sealing

Color of coding	Application	Marking of poles	Art.No.
■ turquoise blue	250/400 V with PE	L, N, PE, 1, 2, Ls	9L.061.4553.6

female



male



straight, for cables Ø 13-18 mm

Color of coding	Application	Marking of poles	Art.No.	Art.No.
■ turquoise blue	250/400 V with PE	L, N, PE, 1, 2, Ls	96.061.4553.6	96.062.4553.6

female



angled 90°, for cables Ø 6-10 mm, with longitudinal sealing

Color of coding	Application	Marking of poles	Art.No.
■ turquoise blue	250/400 V with PE	L, N, PE, 1, 2, Ls	9L.063.4053.6

RST20I6, CONNECTOR, 6-POLE

SCREW CONNECTION

TECHNICAL DATA

Rated current:	20 A	Cross section fine-stranded:	0,2 mm ² - 2,5 mm ²
Degree of protection (IP):	IP66/68 (3m;2h) /IP69	Connection cross section solid:	0,2 mm ² - 1,5 mm ²
Terminations per pole:	1	Additional technical data, see facts & data.	
Lockable:	self-locking (unlocking by tool)		

female

male



angled 90°, for cables Ø 6-10 mm

female

male

Color of coding	Application	Marking of poles	Art.No.	Art.No.
■ turquoise blue	250/400 V with PE	L, N, PE, 1, 2, Ls	96.063.4053.6	96.064.4053.6

female



angled 90°, for cables Ø 10-14 mm, with longitudinal sealing

female

Color of coding	Application	Marking of poles	Art.No.
■ turquoise blue	250/400 V with PE	L, N, PE, 1, 2, Ls	9L.063.4153.6

female

male



angled 90°, for cables Ø 10-14 mm

female

male

Color of coding	Application	Marking of poles	Art.No.	Art.No.
■ turquoise blue	250/400 V with PE	L, N, PE, 1, 2, Ls	96.063.4153.6	96.064.4153.6

female



splitter connector, for cables Ø 6-10 mm

female

Color of coding	Application	Marking of poles	Art.No.
■ turquoise blue	250/400 V with PE	L, N, PE, 1, 2, Ls	96.061.4253.6*

female



splitter connector, for cables Ø 10-14 mm

female

Color of coding	Application	Marking of poles	Art.No.
■ turquoise blue	250/400 V with PE	L, N, PE, 1, 2, Ls	96.061.4353.6*

*) Alternative technical data, see facts & data.

RST20I6, CONNECTOR, 6-POLE

CRIMP

TECHNICAL DATA

Rated current:	20 A	Lockable:	self-locking (unlocking by tool)
Degree of protection (IP):	IP66/68 (3m;2h) /IP69	Cross section fine-stranded:	0,75 mm ² - 2,5 mm ²
Terminations per pole:	1	Additional technical data, see facts & data.	

female



straight, for cables Ø 6-10 mm, with longitudinal sealing

Color of coding	Application	Marking of poles	Art.No.
■ turquoise blue	250/400 V with PE	L, N, PE, 1, 2, Ls	9L.161.0053.6

female

male



straight, for cables Ø 6-10 mm

Color of coding	Application	Marking of poles	Art.No.	Art.No.
■ turquoise blue	250/400 V with PE	L, N, PE, 1, 2, Ls	96.161.0053.6	96.162.0053.6

female



straight, for cables Ø 8-13 mm, with longitudinal sealing

Color of coding	Application	Marking of poles	Art.No.
■ turquoise blue	250/400 V with PE	L, N, PE, 1, 2, Ls	9L.161.0853.6

female

male



straight, for cables Ø 8-13 mm

Color of coding	Application	Marking of poles	Art.No.	Art.No.
■ turquoise blue	250/400 V with PE	L, N, PE, 1, 2, Ls	96.161.0853.6	96.162.0853.6

female



straight, for cables Ø 10-14 mm, with longitudinal sealing

Color of coding	Application	Marking of poles	Art.No.
■ turquoise blue	250/400 V with PE	L, N, PE, 1, 2, Ls	9L.161.0153.6

female

male



straight, for cables Ø 10-14 mm

Color of coding	Application	Marking of poles	Art.No.	Art.No.
■ turquoise blue	250/400 V with PE	L, N, PE, 1, 2, Ls	96.161.0153.6	96.162.0153.6

RST20I6, CONNECTOR, 6-POLE

CRIMP

TECHNICAL DATA

Rated current:	20 A	Lockable:	self-locking (unlocking by tool)
Degree of protection (IP):	IP66/68 (3m;2h) /IP69	Cross section fine-stranded:	0,75 mm ² - 2,5 mm ²
Terminations per pole:	1	Additional technical data, see facts & data.	

female



straight, for cables Ø 13-18 mm, with longitudinal sealing

Color of coding	Application	Marking of poles	Art.No.
■ turquoise blue	250/400 V with PE	L, N, PE, 1, 2, Ls	9L.161.0553.6

female

male



straight, for cables Ø 13-18 mm

Color of coding	Application	Marking of poles	Art.No.	Art.No.
■ turquoise blue	250/400 V with PE	L, N, PE, 1, 2, Ls	96.161.0553.6	96.162.0553.6

female



angled 90°, for cables Ø 6-10 mm, with longitudinal sealing

Color of coding	Application	Marking of poles	Art.No.
■ turquoise blue	250/400 V with PE	L, N, PE, 1, 2, Ls	9L.163.0053.6

female

male



angled 90°, for cables Ø 6-10 mm

Color of coding	Application	Marking of poles	Art.No.	Art.No.
■ turquoise blue	250/400 V with PE	L, N, PE, 1, 2, Ls	96.163.0053.6	96.164.0053.6

female



angled 90°, for cables Ø 10-14 mm, with longitudinal sealing

Color of coding	Application	Marking of poles	Art.No.
■ turquoise blue	250/400 V with PE	L, N, PE, 1, 2, Ls	9L.163.0153.6

female

male



angled 90°, for cables Ø 10-14 mm

Color of coding	Application	Marking of poles	Art.No.	Art.No.
■ turquoise blue	250/400 V with PE	L, N, PE, 1, 2, Ls	96.163.0153.6	96.164.0153.6

RST20I6, DEVICE CONNECTOR, M16, 6-POLE

SCREW CONNECTION

TECHNICAL DATA			
Rated current:	20 A	Cross section fine-stranded:	0,2 mm ² - 2,5 mm ²
Degree of protection (IP):	IP66/68 (3m;2h) /IP69	Connection cross section solid:	0,2 mm ² - 2,5 mm ²
Terminations per pole:	1	Additional technical data, see facts & data.	
Lockable:	self-locking (unlocking by tool)		

female

male



modular, straight, with longitudinal sealing

Color of coding	Application	Marking of poles	female Art.No.	male Art.No.
■ turquoise blue	250/400 V with PE	L, N, PE, 1, 2, Ls	9L.061.6153.6	9L.062.6153.6

female

male



modular, straight

Color of coding	Application	Marking of poles	female Art.No.	male Art.No.
■ turquoise blue	250/400 V with PE	L, N, PE, 1, 2, Ls	96.061.6153.6	96.062.6153.6

female

male



modular, angled 7°

Color of coding	Application	Marking of poles	female Art.No.	male Art.No.
■ turquoise blue	250/400 V with PE	L, N, PE, 1, 2, Ls	96.065.6153.6	96.066.6153.6

CRIMP

TECHNICAL DATA			
Rated current:	20 A	Lockable:	self-locking (unlocking by tool)
Degree of protection (IP):	IP66/68 (3m;2h) /IP69	Cross section fine-stranded:	0,75 mm ² - 2,5 mm ²
Terminations per pole:	1	Additional technical data, see facts & data.	

female

male



modular, straight, with longitudinal sealing

Color of coding	Application	Marking of poles	female Art.No.	male Art.No.
■ turquoise blue	250/400 V with PE	L, N, PE, 1, 2, Ls	9L.161.2153.6	9L.162.2153.6

female

male



modular, straight

Color of coding	Application	Marking of poles	female Art.No.	male Art.No.
■ turquoise blue	250/400 V with PE	L, N, PE, 1, 2, Ls	96.161.2153.6	96.162.2153.6

RST20I6, DEVICE CONNECTOR, M16, 6-POLE

CRIMP

TECHNICAL DATA

Rated current:	20 A	Lockable:	self-locking (unlocking by tool)
Degree of protection (IP):	IP66/68 (3m;2h) /IP69	Cross section fine-stranded:	0,75 mm ² - 2,5 mm ²
Terminations per pole:	1	Additional technical data, see facts & data.	

female



male



modular, angled 7°

Color of coding	Application	Marking of poles	female Art.No.	male Art.No.
■ turquoise blue	250/400 V with PE	L, N, PE, 1, 2, Ls	96.165.2153.6	96.166.2153.6

RST2016, DEVICE CONNECTOR, M20, 6-POLE

SCREW CONNECTION

TECHNICAL DATA

Rated current:	20 A	Cross section fine-stranded:	0,2 mm ² - 2,5 mm ²
Degree of protection (IP):	IP66/68 (3m;2h) /IP69	Connection cross section solid:	0,2 mm ² - 2,5 mm ²
Terminations per pole:	1	Additional technical data, see facts & data.	
Lockable:	self-locking (unlocking by tool)		

female

male



modular, straight, with longitudinal sealing

female

male

Color of coding	Application	Marking of poles	Art.No.	Art.No.
■ turquoise blue	250/400 V with PE	L, N, PE, 1, 2, Ls	9L.061.6053.6	9L.062.6053.6

female

male



modular, straight

female

male

Color of coding	Application	Marking of poles	Art.No.	Art.No.
■ turquoise blue	250/400 V with PE	L, N, PE, 1, 2, Ls	96.061.6053.6	96.062.6053.6

female

male



modular, angled 90°

female

male

Color of coding	Application	Marking of poles	Art.No.	Art.No.
■ turquoise blue	250/400 V with PE	L, N, PE, 1, 2, Ls	96.063.6053.6	96.064.6053.6

CRIMP

TECHNICAL DATA

Rated current:	20 A	Lockable:	self-locking (unlocking by tool)
Degree of protection (IP):	IP66/68 (3m;2h) /IP69	Cross section fine-stranded:	0,75 mm ² - 2,5 mm ²
Terminations per pole:	1	Additional technical data, see facts & data.	

female

male



modular, straight, with longitudinal sealing

female

male

Color of coding	Application	Marking of poles	Art.No.	Art.No.
■ turquoise blue	250/400 V with PE	L, N, PE, 1, 2, Ls	9L.161.2053.6	9L.162.2053.6

female

male



modular, straight

female

male

Color of coding	Application	Marking of poles	Art.No.	Art.No.
■ turquoise blue	250/400 V with PE	L, N, PE, 1, 2, Ls	96.161.2053.6	96.162.2053.6

RST20I6, DEVICE CONNECTOR, M20, 6-POLE

CRIMP

TECHNICAL DATA

Rated current:	20 A	Lockable:	self-locking (unlocking by tool)
Degree of protection (IP):	IP66/68 (3m;2h) /IP69	Cross section fine-stranded:	0,75 mm ² - 2,5 mm ²
Terminations per pole:	1	Additional technical data, see facts & data.	

female



male



modular, angled 90°

Color of coding	Application	Marking of poles	female Art.No.	male Art.No.
-----------------	-------------	------------------	----------------	--------------

■ turquoise blue	250/400 V with PE	L, N, PE, 1, 2, Ls	96.163.2053.6	96.164.2053.6
------------------	-------------------	--------------------	---------------	---------------

RST20I6, DEVICE CONNECTOR, M25, 6-POLE

SCREW CONNECTION

TECHNICAL DATA

Rated current:	20 A	Cross section fine-stranded:	0,2 mm ² - 2,5 mm ²
Degree of protection (IP):	IP66/68 (3m;2h) /IP69	Connection cross section solid:	0,2 mm ² - 2,5 mm ²
Terminations per pole:	1	Additional technical data, see facts & data.	
Lockable:	self-locking (unlocking by tool)		

female

male



modular, straight, with longitudinal sealing

female

male

Color of coding	Application	Marking of poles	Art.No.	Art.No.
■ turquoise blue	250/400 V with PE	L, N, PE, 1, 2, Ls	9L.061.6253.6	9L.062.6253.6

female

male



modular, straight

female

male

Color of coding	Application	Marking of poles	Art.No.	Art.No.
■ turquoise blue	250/400 V with PE	L, N, PE, 1, 2, Ls	96.061.6253.6	96.062.6253.6

female

male



modular, angled 90°

female

male

Color of coding	Application	Marking of poles	Art.No.	Art.No.
■ turquoise blue	250/400 V with PE	L, N, PE, 1, 2, Ls	96.063.6253.6	96.064.6253.6

CRIMP

TECHNICAL DATA

Rated current:	20 A	Lockable:	self-locking (unlocking by tool)
Degree of protection (IP):	IP66/68 (3m;2h) /IP69	Cross section fine-stranded:	0,75 mm ² - 2,5 mm ²
Terminations per pole:	1	Additional technical data, see facts & data.	

female

male



modular, straight, with longitudinal sealing

female

male

Color of coding	Application	Marking of poles	Art.No.	Art.No.
■ turquoise blue	250/400 V with PE	L, N, PE, 1, 2, Ls	9L.161.2253.6	9L.162.2253.6

female

male



modular, straight

female

male

Color of coding	Application	Marking of poles	Art.No.	Art.No.
■ turquoise blue	250/400 V with PE	L, N, PE, 1, 2, Ls	96.161.2253.6	96.162.2253.6

RST20I6, DEVICE CONNECTOR, M25, 6-POLE

CRIMP

TECHNICAL DATA

Rated current:	20 A	Lockable:	self-locking (unlocking by tool)
Degree of protection (IP):	IP66/68 (3m;2h) /IP69	Cross section fine-stranded:	0,75 mm ² - 2,5 mm ²
Terminations per pole:	1	Additional technical data, see facts & data.	

female

male



modular, angled 90°

Color of coding	Application	Marking of poles	female Art.No.	male Art.No.
■ turquoise blue	250/400 V with PE	L, N, PE, 1, 2, Ls	96.163.2253.6	96.164.2253.6

RST2016, DEVICE CONNECTOR, M32, 6-POLE

SCREW CONNECTION

TECHNICAL DATA

Rated current:	20 A	Cross section fine-stranded:	0,2 mm ² - 2,5 mm ²
Degree of protection (IP):	IP66/68 (3m;2h) /IP69	Connection cross section solid:	0,2 mm ² - 2,5 mm ²
Terminations per pole:	1	Additional technical data, see facts & data.	
Lockable:	self-locking (unlocking by tool)		

female

male



modular, straight, with longitudinal sealing

female

male

Color of coding	Application	Marking of poles	Art.No.	Art.No.
■ turquoise blue	250/400 V with PE	L, N, PE, 1, 2, Ls	9L.061.6353.6	9L.062.6353.6

female

male



modular, straight

female

male

Color of coding	Application	Marking of poles	Art.No.	Art.No.
■ turquoise blue	250/400 V with PE	L, N, PE, 1, 2, Ls	96.061.6353.6	96.062.6353.6

CRIMP

TECHNICAL DATA

Rated current:	20 A	Lockable:	self-locking (unlocking by tool)
Degree of protection (IP):	IP66/68 (3m;2h) /IP69	Cross section fine-stranded:	0,75 mm ² - 2,5 mm ²
Terminations per pole:	1	Additional technical data, see facts & data.	

female

male



modular, straight, with longitudinal sealing

female

male

Color of coding	Application	Marking of poles	Art.No.	Art.No.
■ turquoise blue	250/400 V with PE	L, N, PE, 1, 2, Ls	9L.161.2353.6	9L.162.2353.6

female

male



modular, straight

female

male

Color of coding	Application	Marking of poles	Art.No.	Art.No.
■ turquoise blue	250/400 V with PE	L, N, PE, 1, 2, Ls	96.161.2353.6	96.162.2353.6

RST2017, CONNECTOR, 7-POLE

SCREW CONNECTION

TECHNICAL DATA

Rated current:	16 A	Cross section fine-stranded:	0,2 mm ² - 1,5 mm ²
Degree of protection (IP):	IP66/68 (3m;2h) /IP69	Connection cross section solid:	0,2 mm ² - 1,5 mm ²
Terminations per pole:	1	Additional technical data, see facts & data.	
Lockable:	self-locking (unlocking by tool)		

female



straight, for cables Ø 6-10 mm, with longitudinal sealing

Color of coding	Application	Marking of poles	Art.No.
■ black	250/400 V with PE	1, 2, 3, 4/N, 5, 6, PE	9L.071.4053.1
□ light grey	250/400 V with PE	1, 2, 3, 4/N, 5, 6, PE	9L.071.4053.0
■ light blue	250/400 V	1, 2, 3, 4/N, 5, 6, 7	9L.071.4053.9
■ turquoise blue	250/400 V with PE	L, N, PE, 1, 2, 3, 4	9L.071.4053.6

female

male



straight, for cables Ø 6-10 mm

Color of coding	Application	Marking of poles	Art.No.	female	male
■ black	250/400 V with PE	1, 2, 3, 4/N, 5, 6, PE	96.071.4053.1	96.071.4053.1	96.072.4053.1
□ light grey	250/400 V with PE	1, 2, 3, 4/N, 5, 6, PE	96.071.4053.0	96.071.4053.0	96.072.4053.0
■ light blue	250/400 V	1, 2, 3, 4/N, 5, 6, 7	96.071.4053.9	96.071.4053.9	96.072.4053.9
■ turquoise blue	250/400 V with PE	L, N, PE, 1, 2, 3, 4	96.071.4053.6	96.071.4053.6	96.072.4053.6

TECHNICAL DATA

Rated current:	20 A	Cross section fine-stranded:	0,2 mm ² - 2,5 mm ²
Degree of protection (IP):	IP66/68 (3m;2h) /IP69	Connection cross section solid:	0,2 mm ² - 1,5 mm ²
Terminations per pole:	1	Additional technical data, see facts & data.	
Lockable:	self-locking (unlocking by tool)		

female



straight, for cables Ø 8-13 mm, with longitudinal sealing

Color of coding	Application	Marking of poles	Art.No.
■ black	250/400 V with PE	1, 2, 3, 4/N, 5, 6, PE	9L.071.4853.1
□ light grey	250/400 V with PE	1, 2, 3, 4/N, 5, 6, PE	9L.071.4853.0
■ light blue	250/400 V	1, 2, 3, 4/N, 5, 6, 7	9L.071.4853.9
■ turquoise blue	250/400 V with PE	L, N, PE, 1, 2, 3, 4	9L.071.4853.6

female

male



straight, for cables Ø 8-13 mm

Color of coding	Application	Marking of poles	Art.No.	female	male
■ black	250/400 V with PE	1, 2, 3, 4/N, 5, 6, PE	96.071.4853.1	96.071.4853.1	96.072.4853.1
□ light grey	250/400 V with PE	1, 2, 3, 4/N, 5, 6, PE	96.071.4853.0	96.071.4853.0	96.072.4853.0
■ light blue	250/400 V	1, 2, 3, 4/N, 5, 6, 7	96.071.4853.9	96.071.4853.9	96.072.4853.9
■ turquoise blue	250/400 V with PE	L, N, PE, 1, 2, 3, 4	96.071.4853.6	96.071.4853.6	96.072.4853.6

RST2017, CONNECTOR, 7-POLE

SCREW CONNECTION

TECHNICAL DATA

Rated current:	16 A	Cross section fine-stranded:	0,2 mm ² - 1,5 mm ²
Degree of protection (IP):	IP66/68 (3m;2h) /IP69	Connection cross section solid:	0,2 mm ² - 1,5 mm ²
Terminations per pole:	1	Additional technical data, see facts & data.	
Lockable:	self-locking (unlocking by tool)		

female



male



straight, for cables Ø 10-14 mm, with longitudinal sealing

female

male

Color of coding	Application	Marking of poles	Art.No.	Art.No.
■ black	250/400 V with PE	1, 2, 3, 4/N, 5, 6, PE	9L.071.4153.1	9L.072.4153.1
□ light grey	250/400 V with PE	1, 2, 3, 4/N, 5, 6, PE	9L.071.4153.0	
■ light blue	250/400 V	1, 2, 3, 4/N, 5, 6, 7	9L.071.4153.9	
■ turquoise blue	250/400 V with PE	L, N, PE, 1, 2, 3, 4	9L.071.4153.6	

female



male



straight, for cables Ø 10-14 mm

female

male

Color of coding	Application	Marking of poles	Art.No.	Art.No.
■ black	250/400 V with PE	1, 2, 3, 4/N, 5, 6, PE	96.071.4153.1	96.072.4153.1
□ light grey	250/400 V with PE	1, 2, 3, 4/N, 5, 6, PE	96.071.4153.0	96.072.4153.0
■ light blue	250/400 V	1, 2, 3, 4/N, 5, 6, 7	96.071.4153.9	96.072.4153.9
■ turquoise blue	250/400 V with PE	L, N, PE, 1, 2, 3, 4	96.071.4153.6	96.072.4153.6

TECHNICAL DATA

Rated current:	20 A	Cross section fine-stranded:	0,2 mm ² - 2,5 mm ²
Degree of protection (IP):	IP66/68 (3m;2h) /IP69	Connection cross section solid:	0,2 mm ² - 1,5 mm ²
Terminations per pole:	1	Additional technical data, see facts & data.	
Lockable:	self-locking (unlocking by tool)		

female



straight, for cables Ø 13-18 mm, with longitudinal sealing

female

Color of coding	Application	Marking of poles	Art.No.
■ black	250/400 V with PE	1, 2, 3, 4/N, 5, 6, PE	9L.071.4553.1
□ light grey	250/400 V with PE	1, 2, 3, 4/N, 5, 6, PE	9L.071.4553.0
■ light blue	250/400 V	1, 2, 3, 4/N, 5, 6, 7	9L.071.4553.9
■ turquoise blue	250/400 V with PE	L, N, PE, 1, 2, 3, 4	9L.071.4553.6

female



male



straight, for cables Ø 13-18 mm

female

male

Color of coding	Application	Marking of poles	Art.No.	Art.No.
■ black	250/400 V with PE	1, 2, 3, 4/N, 5, 6, PE	96.071.4553.1	96.072.4553.1
□ light grey	250/400 V with PE	1, 2, 3, 4/N, 5, 6, PE	96.071.4553.0	96.072.4553.0
■ light blue	250/400 V	1, 2, 3, 4/N, 5, 6, 7	96.071.4553.9	96.072.4553.9
■ turquoise blue	250/400 V with PE	L, N, PE, 1, 2, 3, 4	96.071.4553.6	96.072.4553.6

female



angled 90°, for cables Ø 6-10 mm, with longitudinal sealing

female

Color of coding	Application	Marking of poles	Art.No.
■ black	250/400 V with PE	1, 2, 3, 4/N, 5, 6, PE	9L.073.4053.1
□ light grey	250/400 V with PE	1, 2, 3, 4/N, 5, 6, PE	9L.073.4053.0
■ light blue	250/400 V	1, 2, 3, 4/N, 5, 6, 7	9L.073.4053.9
■ turquoise blue	250/400 V with PE	L, N, PE, 1, 2, 3, 4	9L.073.4053.6

RST20I7, CONNECTOR, 7-POLE

SCREW CONNECTION

TECHNICAL DATA

Rated current:	20 A	Cross section fine-stranded:	0,2 mm ² - 2,5 mm ²
Degree of protection (IP):	IP66/68 (3m;2h) /IP69	Connection cross section solid:	0,2 mm ² - 1,5 mm ²
Terminations per pole:	1	Additional technical data, see facts & data.	
Lockable:	self-locking (unlocking by tool)		

female



male



angled 90°, for cables Ø 6-10 mm

Color of coding	Application	Marking of poles	female Art.No.	male Art.No.
■ black	250/400 V with PE	1, 2, 3, 4/N, 5, 6, PE	96.073.4053.1	96.074.4053.1
□ light grey	250/400 V with PE	1, 2, 3, 4/N, 5, 6, PE	96.073.4053.0	96.074.4053.0
■ light blue	250/400 V	1, 2, 3, 4/N, 5, 6, 7	96.073.4053.9	96.074.4053.9
■ turquoise blue	250/400 V with PE	L, N, PE, 1, 2, 3, 4	96.073.4053.6	96.074.4053.6

female



angled 90°, for cables Ø 10-14 mm, with longitudinal sealing

female

Color of coding	Application	Marking of poles	Art.No.
■ black	250/400 V with PE	1, 2, 3, 4/N, 5, 6, PE	9L.073.4153.1
□ light grey	250/400 V with PE	1, 2, 3, 4/N, 5, 6, PE	9L.073.4153.0
■ light blue	250/400 V	1, 2, 3, 4/N, 5, 6, 7	9L.073.4153.9
■ turquoise blue	250/400 V with PE	L, N, PE, 1, 2, 3, 4	9L.073.4153.6

female



male



angled 90°, for cables Ø 10-14 mm

female

male

Color of coding	Application	Marking of poles	female Art.No.	male Art.No.
■ black	250/400 V with PE	1, 2, 3, 4/N, 5, 6, PE	96.073.4153.1	96.074.4153.1
□ light grey	250/400 V with PE	1, 2, 3, 4/N, 5, 6, PE	96.073.4153.0	96.074.4153.0
■ light blue	250/400 V	1, 2, 3, 4/N, 5, 6, 7	96.073.4153.9	96.074.4153.9
■ turquoise blue	250/400 V with PE	L, N, PE, 1, 2, 3, 4	96.073.4153.6	96.074.4153.6

female



male



splitter connector, for cables Ø 6-10 mm

female

male

Color of coding	Application	Marking of poles	female Art.No.	male Art.No.
■ black	250/400 V with PE	1, 2, 3, 4/N, 5, 6, PE	96.071.4253.1*	96.072.4253.1*
□ light grey	250/400 V with PE	1, 2, 3, 4/N, 5, 6, PE	96.071.4253.0*	
■ light blue	250/400 V	1, 2, 3, 4/N, 5, 6, 7	96.071.4253.9*	
■ turquoise blue	250/400 V with PE	L, N, PE, 1, 2, 3, 4	96.071.4253.6*	96.072.4253.6*

female



splitter connector, for cables Ø 10-14 mm

female

Color of coding	Application	Marking of poles	Art.No.
■ black	250/400 V with PE	1, 2, 3, 4/N, 5, 6, PE	96.071.4353.1*
□ light grey	250/400 V with PE	1, 2, 3, 4/N, 5, 6, PE	96.071.4353.0*
■ light blue	250/400 V	1, 2, 3, 4/N, 5, 6, 7	96.071.4353.9*
■ turquoise blue	250/400 V with PE	L, N, PE, 1, 2, 3, 4	96.071.4353.6*

*) Alternative technical data, see facts & data.

RST2017, CONNECTOR, 7-POLE

CRIMP

TECHNICAL DATA

Rated current:	20 A	Lockable:	self-locking (unlocking by tool)
Degree of protection (IP):	IP66/68 (3m;2h) /IP69	Cross section fine-stranded:	0,75 mm ² - 2,5 mm ²
Terminations per pole:	1	Additional technical data, see facts & data.	

female



straight, for cables Ø 6-10 mm, with longitudinal sealing

Color of coding	Application	Marking of poles	Art.No.
■ black	250/400 V with PE	1, 2, 3, 4/N, 5, 6, PE	9L.171.0053.1
□ light grey	250/400 V with PE	1, 2, 3, 4/N, 5, 6, PE	9L.171.0053.0
■ light blue	250/400 V	1, 2, 3, 4/N, 5, 6, 7	9L.171.0053.9
■ turquoise blue	250/400 V with PE	L, N, PE, 1, 2, 3, 4	9L.171.0053.6

female

male



straight, for cables Ø 6-10 mm

Color of coding	Application	Marking of poles	Art.No.	female	male
■ black	250/400 V with PE	1, 2, 3, 4/N, 5, 6, PE	96.171.0053.1	96.171.0053.1	96.172.0053.1
□ light grey	250/400 V with PE	1, 2, 3, 4/N, 5, 6, PE	96.171.0053.0	96.171.0053.0	96.172.0053.0
■ light blue	250/400 V	1, 2, 3, 4/N, 5, 6, 7	96.171.0053.9	96.171.0053.9	96.172.0053.9
■ turquoise blue	250/400 V with PE	L, N, PE, 1, 2, 3, 4	96.171.0053.6	96.171.0053.6	96.172.0053.6

female



straight, for cables Ø 8-13 mm, with longitudinal sealing

Color of coding	Application	Marking of poles	Art.No.
■ black	250/400 V with PE	1, 2, 3, 4/N, 5, 6, PE	9L.171.0853.1
□ light grey	250/400 V with PE	1, 2, 3, 4/N, 5, 6, PE	9L.171.0853.0
■ light blue	250/400 V	1, 2, 3, 4/N, 5, 6, 7	9L.171.0853.9
■ turquoise blue	250/400 V with PE	L, N, PE, 1, 2, 3, 4	9L.171.0853.6

female

male



straight, for cables Ø 8-13 mm

Color of coding	Application	Marking of poles	Art.No.	female	male
■ black	250/400 V with PE	1, 2, 3, 4/N, 5, 6, PE	96.171.0853.1	96.171.0853.1	96.172.0853.1
□ light grey	250/400 V with PE	1, 2, 3, 4/N, 5, 6, PE	96.171.0853.0	96.171.0853.0	96.172.0853.0
■ light blue	250/400 V	1, 2, 3, 4/N, 5, 6, 7	96.171.0853.9	96.171.0853.9	96.172.0853.9
■ turquoise blue	250/400 V with PE	L, N, PE, 1, 2, 3, 4	96.171.0853.6	96.171.0853.6	96.172.0853.6

female



straight, for cables Ø 10-14 mm, with longitudinal sealing

Color of coding	Application	Marking of poles	Art.No.
■ black	250/400 V with PE	1, 2, 3, 4/N, 5, 6, PE	9L.171.0153.1
□ light grey	250/400 V with PE	1, 2, 3, 4/N, 5, 6, PE	9L.171.0153.0
■ light blue	250/400 V	1, 2, 3, 4/N, 5, 6, 7	9L.171.0153.9
■ turquoise blue	250/400 V with PE	L, N, PE, 1, 2, 3, 4	9L.171.0153.6

female

male



straight, for cables Ø 10-14 mm

Color of coding	Application	Marking of poles	Art.No.	female	male
■ black	250/400 V with PE	1, 2, 3, 4/N, 5, 6, PE	96.171.0153.1	96.171.0153.1	96.172.0153.1
□ light grey	250/400 V with PE	1, 2, 3, 4/N, 5, 6, PE	96.171.0153.0	96.171.0153.0	96.172.0153.0
■ light blue	250/400 V	1, 2, 3, 4/N, 5, 6, 7	96.171.0153.9	96.171.0153.9	96.172.0153.9
■ turquoise blue	250/400 V with PE	L, N, PE, 1, 2, 3, 4	96.171.0153.6	96.171.0153.6	96.172.0153.6

RST2017, CONNECTOR, 7-POLE

CRIMP

TECHNICAL DATA

Rated current:	20 A	Lockable:	self-locking (unlocking by tool)
Degree of protection (IP):	IP66/68 (3m;2h) /IP69	Cross section fine-stranded:	0,75 mm ² - 2,5 mm ²
Terminations per pole:	1	Additional technical data, see facts & data.	

female



straight, for cables Ø 13-18 mm, with longitudinal sealing

Color of coding	Application	Marking of poles	Art.No.
■ black	250/400 V with PE	1, 2, 3, 4/N, 5, 6, PE	9L.171.0553.1
□ light grey	250/400 V with PE	1, 2, 3, 4/N, 5, 6, PE	9L.171.0553.0
■ light blue	250/400 V	1, 2, 3, 4/N, 5, 6, 7	9L.171.0553.9
■ turquoise blue	250/400 V with PE	L, N, PE, 1, 2, 3, 4	9L.171.0553.6

female

male



straight, for cables Ø 13-18 mm

Color of coding	Application	Marking of poles	Art.No.	Art.No.
■ black	250/400 V with PE	1, 2, 3, 4/N, 5, 6, PE	96.171.0553.1	96.172.0553.1
□ light grey	250/400 V with PE	1, 2, 3, 4/N, 5, 6, PE	96.171.0553.0	96.172.0553.0
■ light blue	250/400 V	1, 2, 3, 4/N, 5, 6, 7	96.171.0553.9	96.172.0553.9
■ turquoise blue	250/400 V with PE	L, N, PE, 1, 2, 3, 4	96.171.0553.6	96.172.0553.6

female



angled 90°, for cables Ø 6-10 mm, with longitudinal sealing

Color of coding	Application	Marking of poles	Art.No.
■ black	250/400 V with PE	1, 2, 3, 4/N, 5, 6, PE	9L.173.0053.1
□ light grey	250/400 V with PE	1, 2, 3, 4/N, 5, 6, PE	9L.173.0053.0
■ light blue	250/400 V	1, 2, 3, 4/N, 5, 6, 7	9L.173.0053.9
■ turquoise blue	250/400 V with PE	L, N, PE, 1, 2, 3, 4	9L.173.0053.6

female

male



angled 90°, for cables Ø 6-10 mm

Color of coding	Application	Marking of poles	Art.No.	Art.No.
■ black	250/400 V with PE	1, 2, 3, 4/N, 5, 6, PE	96.173.0053.1	96.174.0053.1
□ light grey	250/400 V with PE	1, 2, 3, 4/N, 5, 6, PE	96.173.0053.0	96.174.0053.0
■ light blue	250/400 V	1, 2, 3, 4/N, 5, 6, 7	96.173.0053.9	96.174.0053.9
■ turquoise blue	250/400 V with PE	L, N, PE, 1, 2, 3, 4	96.173.0053.6	96.174.0053.6

female



angled 90°, for cables Ø 10-14 mm, with longitudinal sealing

Color of coding	Application	Marking of poles	Art.No.
■ black	250/400 V with PE	1, 2, 3, 4/N, 5, 6, PE	9L.173.0153.1
□ light grey	250/400 V with PE	1, 2, 3, 4/N, 5, 6, PE	9L.173.0153.0
■ light blue	250/400 V	1, 2, 3, 4/N, 5, 6, 7	9L.173.0153.9
■ turquoise blue	250/400 V with PE	L, N, PE, 1, 2, 3, 4	9L.173.0153.6

female

male



angled 90°, for cables Ø 10-14 mm

Color of coding	Application	Marking of poles	Art.No.	Art.No.
■ black	250/400 V with PE	1, 2, 3, 4/N, 5, 6, PE	96.173.0153.1	96.174.0153.1
□ light grey	250/400 V with PE	1, 2, 3, 4/N, 5, 6, PE	96.173.0153.0	96.174.0153.0
■ light blue	250/400 V	1, 2, 3, 4/N, 5, 6, 7	96.173.0153.9	96.174.0153.9
■ turquoise blue	250/400 V with PE	L, N, PE, 1, 2, 3, 4	96.173.0153.6	96.174.0153.6

RST20I7, DEVICE CONNECTOR, M16, 7-POLE

SCREW CONNECTION

TECHNICAL DATA

Rated current:	20 A	Cross section fine-stranded:	0,2 mm ² - 2,5 mm ²
Degree of protection (IP):	IP66/68 (3m;2h) /IP69	Connection cross section solid:	0,2 mm ² - 2,5 mm ²
Terminations per pole:	1	Additional technical data, see facts & data.	
Lockable:	self-locking (unlocking by tool)		

female



male



modular, straight, with longitudinal sealing

Color of coding	Application	Marking of poles	female Art.No.	male Art.No.
■ black	250/400 V with PE	1, 2, 3, 4/N, 5, 6, PE	9L.071.6153.1	9L.072.6153.1
□ light grey	250/400 V with PE	1, 2, 3, 4/N, 5, 6, PE	9L.071.6153.0	9L.072.6153.0
■ light blue	250/400 V	1, 2, 3, 4/N, 5, 6, 7	9L.071.6153.9	9L.072.6153.9
■ turquoise blue	250/400 V with PE	L, N, PE, 1, 2, 3, 4	9L.071.6153.6	9L.072.6153.6

female



male



modular, straight

Color of coding	Application	Marking of poles	female Art.No.	male Art.No.
■ black	250/400 V with PE	1, 2, 3, 4/N, 5, 6, PE	96.071.6153.1	96.072.6153.1
□ light grey	250/400 V with PE	1, 2, 3, 4/N, 5, 6, PE	96.071.6153.0	96.072.6153.0
■ light blue	250/400 V	1, 2, 3, 4/N, 5, 6, 7	96.071.6153.9	96.072.6153.9
■ turquoise blue	250/400 V with PE	L, N, PE, 1, 2, 3, 4	96.071.6153.6	96.072.6153.6

female



male



modular, angled 7°

Color of coding	Application	Marking of poles	female Art.No.	male Art.No.
■ black	250/400 V with PE	1, 2, 3, 4/N, 5, 6, PE	96.075.6153.1	96.076.6153.1
□ light grey	250/400 V with PE	1, 2, 3, 4/N, 5, 6, PE	96.075.6153.0	96.076.6153.0
■ light blue	250/400 V	1, 2, 3, 4/N, 5, 6, 7	96.075.6153.9	96.076.6153.9
■ turquoise blue	250/400 V with PE	L, N, PE, 1, 2, 3, 4	96.075.6153.6	96.076.6153.6

CRIMP

TECHNICAL DATA

Rated current:	20 A	Lockable:	self-locking (unlocking by tool)
Degree of protection (IP):	IP66/68 (3m;2h) /IP69	Cross section fine-stranded:	0,75 mm ² - 2,5 mm ²
Terminations per pole:	1	Additional technical data, see facts & data.	

female



male



modular, straight, with longitudinal sealing

Color of coding	Application	Marking of poles	female Art.No.	male Art.No.
■ black	250/400 V with PE	1, 2, 3, 4/N, 5, 6, PE	9L.171.2153.1	9L.172.2153.1
□ light grey	250/400 V with PE	1, 2, 3, 4/N, 5, 6, PE	9L.171.2153.0	9L.172.2153.0
■ light blue	250/400 V	1, 2, 3, 4/N, 5, 6, 7	9L.171.2153.9	9L.172.2153.9
■ turquoise blue	250/400 V with PE	L, N, PE, 1, 2, 3, 4	9L.171.2153.6	9L.172.2153.6

female



male



modular, straight

Color of coding	Application	Marking of poles	female Art.No.	male Art.No.
■ black	250/400 V with PE	1, 2, 3, 4/N, 5, 6, PE	96.171.2153.1	96.172.2153.1
□ light grey	250/400 V with PE	1, 2, 3, 4/N, 5, 6, PE	96.171.2153.0	96.172.2153.0
■ light blue	250/400 V	1, 2, 3, 4/N, 5, 6, 7	96.171.2153.9	96.172.2153.9
■ turquoise blue	250/400 V with PE	L, N, PE, 1, 2, 3, 4	96.171.2153.6	96.172.2153.6

RST20I7, DEVICE CONNECTOR, M16, 7-POLE

CRIMP

TECHNICAL DATA

Rated current:	20 A	Lockable:	self-locking (unlocking by tool)
Degree of protection (IP):	IP66/68 (3m;2h) /IP69	Cross section fine-stranded:	0,75 mm ² - 2,5 mm ²
Terminations per pole:	1	Additional technical data, see facts & data.	

female



male



modular, angled 7°

Color of coding	Application	Marking of poles	female Art.No.	male Art.No.
■ black	250/400 V with PE	1, 2, 3, 4/N, 5, 6, PE	96.175.2153.1	96.176.2153.1
□ light grey	250/400 V with PE	1, 2, 3, 4/N, 5, 6, PE	96.175.2153.0	96.176.2153.0
■ light blue	250/400 V	1, 2, 3, 4/N, 5, 6, 7	96.175.2153.9	96.176.2153.9
■ turquoise blue	250/400 V with PE	L, N, PE, 1, 2, 3, 4	96.175.2153.6	96.176.2153.6

RST20I7, DEVICE CONNECTOR, M20, 7-POLE

SCREW CONNECTION

TECHNICAL DATA

Rated current:	20 A	Cross section fine-stranded:	0,2 mm ² - 2,5 mm ²
Degree of protection (IP):	IP66/68 (3m;2h) /IP69	Connection cross section solid:	0,2 mm ² - 2,5 mm ²
Terminations per pole:	1	Additional technical data, see facts & data.	
Lockable:	self-locking (unlocking by tool)		

female



male



modular, straight, with longitudinal sealing

Color of coding	Application	Marking of poles	female Art.No.	male Art.No.
■ black	250/400 V with PE	1, 2, 3, 4/N, 5, 6, PE	9L.071.6053.1	9L.072.6053.1
□ light grey	250/400 V with PE	1, 2, 3, 4/N, 5, 6, PE	9L.071.6053.0	9L.072.6053.0
■ light blue	250/400 V	1, 2, 3, 4/N, 5, 6, 7	9L.071.6053.9	9L.072.6053.9
■ turquoise blue	250/400 V with PE	L, N, PE, 1, 2, 3, 4	9L.071.6053.6	9L.072.6053.6

female



male



modular, straight

Color of coding	Application	Marking of poles	female Art.No.	male Art.No.
■ black	250/400 V with PE	1, 2, 3, 4/N, 5, 6, PE	96.071.6053.1	96.072.6053.1
□ light grey	250/400 V with PE	1, 2, 3, 4/N, 5, 6, PE	96.071.6053.0	96.072.6053.0
■ light blue	250/400 V	1, 2, 3, 4/N, 5, 6, 7	96.071.6053.9	96.072.6053.9
■ turquoise blue	250/400 V with PE	L, N, PE, 1, 2, 3, 4	96.071.6053.6	96.072.6053.6

female



male



modular, angled 90°

Color of coding	Application	Marking of poles	female Art.No.	male Art.No.
■ black	250/400 V with PE	1, 2, 3, 4/N, 5, 6, PE	96.073.6053.1	96.074.6053.1
□ light grey	250/400 V with PE	1, 2, 3, 4/N, 5, 6, PE	96.073.6053.0	96.074.6053.0
■ light blue	250/400 V	1, 2, 3, 4/N, 5, 6, 7	96.073.6053.9	96.074.6053.9
■ turquoise blue	250/400 V with PE	L, N, PE, 1, 2, 3, 4	96.073.6053.6	96.074.6053.6

CRIMP

TECHNICAL DATA

Rated current:	20 A	Lockable:	self-locking (unlocking by tool)
Degree of protection (IP):	IP66/68 (3m;2h) /IP69	Cross section fine-stranded:	0,75 mm ² - 2,5 mm ²
Terminations per pole:	1	Additional technical data, see facts & data.	

female



male



modular, straight, with longitudinal sealing

Color of coding	Application	Marking of poles	female Art.No.	male Art.No.
■ black	250/400 V with PE	1, 2, 3, 4/N, 5, 6, PE	9L.171.2053.1	9L.172.2053.1
□ light grey	250/400 V with PE	1, 2, 3, 4/N, 5, 6, PE	9L.171.2053.0	9L.172.2053.0
■ light blue	250/400 V	1, 2, 3, 4/N, 5, 6, 7	9L.171.2053.9	9L.172.2053.9
■ turquoise blue	250/400 V with PE	L, N, PE, 1, 2, 3, 4	9L.171.2053.6	9L.172.2053.6

female



male



modular, straight

Color of coding	Application	Marking of poles	female Art.No.	male Art.No.
■ black	250/400 V with PE	1, 2, 3, 4/N, 5, 6, PE	96.171.2053.1	96.172.2053.1
□ light grey	250/400 V with PE	1, 2, 3, 4/N, 5, 6, PE	96.171.2053.0	96.172.2053.0
■ light blue	250/400 V	1, 2, 3, 4/N, 5, 6, 7	96.171.2053.9	96.172.2053.9
■ turquoise blue	250/400 V with PE	L, N, PE, 1, 2, 3, 4	96.171.2053.6	96.172.2053.6

RST20I7, DEVICE CONNECTOR, M20, 7-POLE

CRIMP

TECHNICAL DATA

Rated current:	20 A	Lockable:	self-locking (unlocking by tool)
Degree of protection (IP):	IP66/68 (3m;2h) /IP69	Cross section fine-stranded:	0,75 mm ² - 2,5 mm ²
Terminations per pole:	1	Additional technical data, see facts & data.	

female



male



modular, angled 90°

Color of coding	Application	Marking of poles	female Art.No.	male Art.No.
■ black	250/400 V with PE	1, 2, 3, 4/N, 5, 6, PE	96.173.2053.1	96.174.2053.1
□ light grey	250/400 V with PE	1, 2, 3, 4/N, 5, 6, PE	96.173.2053.0	96.174.2053.0
■ light blue	250/400 V	1, 2, 3, 4/N, 5, 6, 7	96.173.2053.9	96.174.2053.9
■ turquoise blue	250/400 V with PE	L, N, PE, 1, 2, 3, 4	96.173.2053.6	96.174.2053.6

RST20I7, DEVICE CONNECTOR, M25, 7-POLE

SCREW CONNECTION

TECHNICAL DATA

Rated current:	20 A	Cross section fine-stranded:	0,2 mm ² - 2,5 mm ²
Degree of protection (IP):	IP66/68 (3m;2h) /IP69	Connection cross section solid:	0,2 mm ² - 2,5 mm ²
Terminations per pole:	1	Additional technical data, see facts & data.	
Lockable:	self-locking (unlocking by tool)		

female



male



modular, straight, with longitudinal sealing

Color of coding	Application	Marking of poles	female Art.No.	male Art.No.
■ black	250/400 V with PE	1, 2, 3, 4/N, 5, 6, PE	9L.071.6253.1	9L.072.6253.1
□ light grey	250/400 V with PE	1, 2, 3, 4/N, 5, 6, PE	9L.071.6253.0	9L.072.6253.0
■ light blue	250/400 V	1, 2, 3, 4/N, 5, 6, 7	9L.071.6253.9	9L.072.6253.9
■ turquoise blue	250/400 V with PE	L, N, PE, 1, 2, 3, 4	9L.071.6253.6	9L.072.6253.6

female



male



modular, straight

Color of coding	Application	Marking of poles	female Art.No.	male Art.No.
■ black	250/400 V with PE	1, 2, 3, 4/N, 5, 6, PE	96.071.6253.1	96.072.6253.1
□ light grey	250/400 V with PE	1, 2, 3, 4/N, 5, 6, PE	96.071.6253.0	96.072.6253.0
■ light blue	250/400 V	1, 2, 3, 4/N, 5, 6, 7	96.071.6253.9	96.072.6253.9
■ turquoise blue	250/400 V with PE	L, N, PE, 1, 2, 3, 4	96.071.6253.6	96.072.6253.6

female



male



modular, angled 90°

Color of coding	Application	Marking of poles	female Art.No.	male Art.No.
■ black	250/400 V with PE	1, 2, 3, 4/N, 5, 6, PE	96.073.6253.1	96.074.6253.1
□ light grey	250/400 V with PE	1, 2, 3, 4/N, 5, 6, PE	96.073.6253.0	96.074.6253.0
■ light blue	250/400 V	1, 2, 3, 4/N, 5, 6, 7	96.073.6253.9	96.074.6253.9
■ turquoise blue	250/400 V with PE	L, N, PE, 1, 2, 3, 4	96.073.6253.6	96.074.6253.6

CRIMP

TECHNICAL DATA

Rated current:	20 A	Lockable:	self-locking (unlocking by tool)
Degree of protection (IP):	IP66/68 (3m;2h) /IP69	Cross section fine-stranded:	0,75 mm ² - 2,5 mm ²
Terminations per pole:	1	Additional technical data, see facts & data.	

female



male



modular, straight, with longitudinal sealing

Color of coding	Application	Marking of poles	female Art.No.	male Art.No.
■ black	250/400 V with PE	1, 2, 3, 4/N, 5, 6, PE	9L.171.2253.1	9L.172.2253.1
□ light grey	250/400 V with PE	1, 2, 3, 4/N, 5, 6, PE	9L.171.2253.0	9L.172.2253.0
■ light blue	250/400 V	1, 2, 3, 4/N, 5, 6, 7	9L.171.2253.9	9L.172.2253.9
■ turquoise blue	250/400 V with PE	L, N, PE, 1, 2, 3, 4	9L.171.2253.6	9L.172.2253.6

female



male



modular, straight

Color of coding	Application	Marking of poles	female Art.No.	male Art.No.
■ black	250/400 V with PE	1, 2, 3, 4/N, 5, 6, PE	96.171.2253.1	96.172.2253.1
□ light grey	250/400 V with PE	1, 2, 3, 4/N, 5, 6, PE	96.171.2253.0	96.172.2253.0
■ light blue	250/400 V	1, 2, 3, 4/N, 5, 6, 7	96.171.2253.9	96.172.2253.9
■ turquoise blue	250/400 V with PE	L, N, PE, 1, 2, 3, 4	96.171.2253.6	96.172.2253.6

RST20I7, DEVICE CONNECTOR, M25, 7-POLE

CRIMP

TECHNICAL DATA

Rated current:	20 A	Lockable:	self-locking (unlocking by tool)
Degree of protection (IP):	IP66/68 (3m;2h) /IP69	Cross section fine-stranded:	0,75 mm ² - 2,5 mm ²
Terminations per pole:	1	Additional technical data, see facts & data.	

female



male



modular, angled 90°

Color of coding	Application	Marking of poles	female Art.No.	male Art.No.
■ black	250/400 V with PE	1, 2, 3, 4/N, 5, 6, PE	96.173.2253.1	96.174.2253.1
□ light grey	250/400 V with PE	1, 2, 3, 4/N, 5, 6, PE	96.173.2253.0	96.174.2253.0
■ light blue	250/400 V	1, 2, 3, 4/N, 5, 6, 7	96.173.2253.9	96.174.2253.9
■ turquoise blue	250/400 V with PE	L, N, PE, 1, 2, 3, 4	96.173.2253.6	96.174.2253.6

RST20I7, DEVICE CONNECTOR, M32, 7-POLE

SCREW CONNECTION

TECHNICAL DATA

Rated current:	20 A	Cross section fine-stranded:	0,2 mm ² - 2,5 mm ²
Degree of protection (IP):	IP66/68 (3m;2h) /IP69	Connection cross section solid:	0,2 mm ² - 2,5 mm ²
Terminations per pole:	1	Additional technical data, see facts & data.	
Lockable:	self-locking (unlocking by tool)		

female

male



modular, straight, with longitudinal sealing

Color of coding	Application	Marking of poles	female Art.No.	male Art.No.
■ black	250/400 V with PE	1, 2, 3, 4/N, 5, 6, PE	9L.071.6353.1	9L.072.6353.1
■ light blue	250/400 V	1, 2, 3, 4/N, 5, 6, 7	9L.071.6353.9	9L.072.6353.9
■ turquoise blue	250/400 V with PE	L, N, PE, 1, 2, 3, 4	9L.071.6353.6	9L.072.6353.6

female

male



modular, straight

Color of coding	Application	Marking of poles	female Art.No.	male Art.No.
■ black	250/400 V with PE	1, 2, 3, 4/N, 5, 6, PE	96.071.6353.1	96.072.6353.1
■ light blue	250/400 V	1, 2, 3, 4/N, 5, 6, 7	96.071.6353.9	96.072.6353.9
■ turquoise blue	250/400 V with PE	L, N, PE, 1, 2, 3, 4	96.071.6353.6	96.072.6353.6

CRIMP

TECHNICAL DATA

Rated current:	20 A	Lockable:	self-locking (unlocking by tool)
Degree of protection (IP):	IP66/68 (3m;2h) /IP69	Cross section fine-stranded:	0,75 mm ² - 2,5 mm ²
Terminations per pole:	1	Additional technical data, see facts & data.	

female

male



modular, straight, with longitudinal sealing

Color of coding	Application	Marking of poles	female Art.No.	male Art.No.
■ black	250/400 V with PE	1, 2, 3, 4/N, 5, 6, PE	9L.171.2353.1	9L.172.2353.1
■ light blue	250/400 V	1, 2, 3, 4/N, 5, 6, 7	9L.171.2353.9	9L.172.2353.9
■ turquoise blue	250/400 V with PE	L, N, PE, 1, 2, 3, 4	9L.171.2353.6	9L.172.2353.6

female

male



modular, straight

Color of coding	Application	Marking of poles	female Art.No.	male Art.No.
■ black	250/400 V with PE	1, 2, 3, 4/N, 5, 6, PE	96.171.2353.1	96.172.2353.1
■ light blue	250/400 V	1, 2, 3, 4/N, 5, 6, 7	96.171.2353.9	96.172.2353.9
■ turquoise blue	250/400 V with PE	L, N, PE, 1, 2, 3, 4	96.171.2353.6	96.172.2353.6

RST25I3, CONNECTOR, 3-POLE

SCREW CONNECTION

TECHNICAL DATA

Rated current:	25 A	Cross section fine-stranded:	0,75 mm ² - 6 mm ²
Degree of protection (IP):	IP66/68 (3m;2h) /IP69	Connection cross section solid:	0,75 mm ² - 6 mm ²
Terminations per pole:	1	Additional technical data, see facts & data.	
Lockable:	self-locking (unlocking by tool)		

female

male



straight, for cables Ø 6-10 mm

Color of coding	Application	Marking of poles	female Art.No.	male Art.No.
■ concrete grey	250 V with PE	L, N, PE	96.031.4054.3	96.032.4054.3

female

male



straight, for cables Ø 10-14 mm

Color of coding	Application	Marking of poles	female Art.No.	male Art.No.
■ concrete grey	250 V with PE	L, N, PE	96.031.4154.3	96.032.4154.3

female

male



straight, for cables Ø 13-18 mm

Color of coding	Application	Marking of poles	female Art.No.	male Art.No.
■ concrete grey	250 V with PE	L, N, PE	96.031.4554.3	96.032.4554.3

female

male



angled 90°, for cables Ø 6-10 mm

Color of coding	Application	Marking of poles	female Art.No.	male Art.No.
■ concrete grey	250 V with PE	L, N, PE	96.033.4054.3	96.034.4054.3

female

male



angled 90°, for cables Ø 10-14 mm

Color of coding	Application	Marking of poles	female Art.No.	male Art.No.
■ concrete grey	250 V with PE	L, N, PE	96.033.4154.3	96.034.4154.3

female

splitter connector, for cables Ø 6-10 mm

female



Color of coding	Application	Marking of poles	female Art.No.
■ concrete grey	250 V with PE	L, N, PE	96.031.4254.3*

*) Alternative technical data, see facts & data.

RST25I3, DEVICE CONNECTOR, M16, 3-POLE

SCREW CONNECTION

TECHNICAL DATA

Rated current:	25 A	Cross section fine-stranded:	0,75 mm ² - 6 mm ²
Degree of protection (IP):	IP66/68 (3m;2h) /IP69	Connection cross section solid:	0,75 mm ² - 6 mm ²
Terminations per pole:	1	Additional technical data, see facts & data.	
Lockable:	self-locking (unlocking by tool)		

female

male



modular, straight

Color of coding	Application	Marking of poles	female Art.No.	male Art.No.
■ concrete grey	250 V with PE	L, N, PE	96.031.6154.3	96.032.6154.3

RST25I3, DEVICE CONNECTOR, M20, 3-POLE

SCREW CONNECTION

TECHNICAL DATA

Rated current:	25 A	Cross section fine-stranded:	0,75 mm ² - 6 mm ²
Degree of protection (IP):	IP66/68 (3m;2h) /IP69	Connection cross section solid:	0,75 mm ² - 6 mm ²
Terminations per pole:	1	Additional technical data, see facts & data.	
Lockable:	self-locking (unlocking by tool)		

female

male



modular, straight

Color of coding	Application	Marking of poles	female Art.No.	male Art.No.
■ concrete grey	250 V with PE	L, N, PE	96.031.6054.3	96.032.6054.3

female

male



modular, angled 90°

Color of coding	Application	Marking of poles	female Art.No.	male Art.No.
■ concrete grey	250 V with PE	L, N, PE	96.033.6054.3	96.034.6054.3

RST25I3, DEVICE CONNECTOR, M25, 3-POLE

SCREW CONNECTION

TECHNICAL DATA

Rated current:	25 A	Cross section fine-stranded:	0,75 mm ² - 6 mm ²
Degree of protection (IP):	IP66/68 (3m;2h) /IP69	Connection cross section solid:	0,75 mm ² - 6 mm ²
Terminations per pole:	1	Additional technical data, see facts & data.	
Lockable:	self-locking (unlocking by tool)		

female



male



standard, straight

Color of coding	Application	Marking of poles	female Art.No.	male Art.No.
■ concrete grey	250 V with PE	L, N, PE	96.031.5054.3	96.032.5054.3

female



male



modular, angled 90°

Color of coding	Application	Marking of poles	female Art.No.	male Art.No.
■ concrete grey	250 V with PE	L, N, PE	96.033.6254.3	96.034.6254.3

RST25I3, CABLE ASSEMBLY, 3-POLE

4 mm², 25 A



TECHNICAL DATA

Rated current: 25 A
 Degree of protection (IP): IP66/68 (3m;2h) /IP69
 Lockable: self-locking (unlocking by tool)

type of construction: Cable screw gland
 Additional technical data, see facts & data.

connecting cable, female - male

Cable color:
 Color of coding: ■ concrete grey
 Application: 250 V with PE
 Marking of poles: L, N, PE

Length (m)	H07RN-F halogenated	H05VV-F halogenated Eca
	Art.No.	Art.No.
	■ black	■ black
1	96.834.1030.3	96.834.1000.3
2	96.834.2030.3	96.834.2000.3
3	96.834.3030.3	96.834.3000.3
4	96.834.4030.3	96.834.4000.3



TECHNICAL DATA

Rated current: 25 A
 Degree of protection (IP): IP66/68 (3m;2h) /IP69
 Lockable: self-locking (unlocking by tool)

Preparation of conductor ends: ultrasonically compressed wire ends
 type of construction: Cable screw gland
 Additional technical data, see facts & data.

connection cable, female - free end

Cable color:
 Color of coding: ■ concrete grey
 Application: 250 V with PE
 Marking of poles: L, N, PE

Length (m)	H07RN-F halogenated	H05VV-F halogenated Eca
	Art.No.	Art.No.
	■ black	■ black
1	96.834.1033.3	96.834.1003.3
2	96.834.2033.3	96.834.2003.3
3	96.834.3033.3	96.834.3003.3
4	96.834.4033.3	96.834.4003.3

RST25I3, CABLE ASSEMBLY, 3-POLE

4 mm², 25 A



TECHNICAL DATA

Rated current:	25 A	Preparation of conductor ends:	ultrasonically compressed wire ends
Degree of protection (IP):	IP66/68 (3m;2h) /IP69	type of construction:	Cable screw gland
Lockable:	self-locking (unlocking by tool)	Additional technical data, see facts & data.	

connection cable, male - free end

Cable color:
 Color of coding: ■ concrete grey
 Application: 250 V with PE
 Marking of poles: L, N, PE

Length (m)	H07RN-F halogenated	H05VV-F halogenated Eca
	Art.No.	Art.No.
	■ black	■ black
1	96.834.1034.3	96.834.1004.3
2	96.834.2034.3	96.834.2004.3
3	96.834.3034.3	96.834.3004.3
4	96.834.4034.3	96.834.4004.3

RST25I5, CONNECTOR, 5-POLE

SCREW CONNECTION

TECHNICAL DATA

Rated current:	25 A	Cross section fine-stranded:	0,75 mm ² - 4 mm ²
Degree of protection (IP):	IP66/68 (3m;2h) /IP69	Connection cross section solid:	0,75 mm ² - 4 mm ²
Terminations per pole:	1	Additional technical data, see facts & data.	
Lockable:	self-locking (unlocking by tool)		

female

male



straight, for cables Ø 6-10 mm

female

male

Color of coding	Application	Marking of poles	Art.No.	Art.No.
■ concrete grey	250/400 V with PE	L, N, PE, 1, 2	96.051.4054.3	96.052.4054.3

female

male



straight, for cables Ø 10-14 mm

female

male

Color of coding	Application	Marking of poles	Art.No.	Art.No.
■ concrete grey	250/400 V with PE	L, N, PE, 1, 2	96.051.4154.3	96.052.4154.3

female

male



straight, for cables Ø 13-18 mm

female

male

Color of coding	Application	Marking of poles	Art.No.	Art.No.
■ concrete grey	250/400 V with PE	L, N, PE, 1, 2	96.051.4554.3	96.052.4554.3

TECHNICAL DATA

Rated current:	25 A	Cross section fine-stranded:	1,5 mm ² - 6 mm ²
Degree of protection (IP):	IP66/68 (3m;2h) /IP69	Connection cross section solid:	1,5 mm ² - 4 mm ²
Terminations per pole:	1	Additional technical data, see facts & data.	
Lockable:	self-locking (unlocking by tool)		

female

male



straight, for cables Ø 13-18 mm

female

male

Color of coding	Application	Marking of poles	Art.No.	Art.No.
■ concrete grey	250/400 V with PE	L, N, PE, 1, 2	99.575.0000.7	99.576.0000.7

*) Alternative technical data, see facts & data.

RST25I5, CONNECTOR, 5-POLE

SCREW CONNECTION

TECHNICAL DATA			
Rated current:	25 A	Cross section fine-stranded:	0,75 mm ² - 4 mm ²
Degree of protection (IP):	IP66/68 (3m;2h) /IP69	Connection cross section solid:	0,75 mm ² - 4 mm ²
Terminations per pole:	1	Additional technical data, see facts & data.	
Lockable:	self-locking (unlocking by tool)		

female



splitter connector, for cables Ø 6-10 mm

female

Color of coding	Application	Marking of poles	Art.No.
■ concrete grey	250/400 V with PE	L, N, PE, 1, 2	99.584.0000.7*

female



splitter connector, for cables Ø 10-14 mm

female

Color of coding	Application	Marking of poles	Art.No.
■ concrete grey	250/400 V with PE	L, N, PE, 1, 2	99.585.0000.7*

*) Alternative technical data, see facts & data.

RST25I5, DEVICE CONNECTOR, M16, 5-POLE

SCREW CONNECTION

TECHNICAL DATA

Rated current:	25 A	Cross section fine-stranded:	0,75 mm ² - 4 mm ²
Degree of protection (IP):	IP66/68 (3m;2h) /IP69	Connection cross section solid:	0,75 mm ² - 4 mm ²
Terminations per pole:	1	Additional technical data, see facts & data.	
Lockable:	self-locking (unlocking by tool)		

female



male



modular, straight

Color of coding	Application	Marking of poles	female Art.No.	male Art.No.
■ concrete grey	250/400 V with PE	L, N, PE, 1, 2	96.051.6154.3	96.052.6154.3

RST25I5, DEVICE CONNECTOR, M20, 5-POLE

SCREW CONNECTION

TECHNICAL DATA

Rated current:	25 A	Cross section fine-stranded:	0,75 mm ² - 4 mm ²
Degree of protection (IP):	IP66/68 (3m;2h) /IP69	Connection cross section solid:	0,75 mm ² - 4 mm ²
Terminations per pole:	1	Additional technical data, see facts & data.	
Lockable:	self-locking (unlocking by tool)		

female



male



modular, straight

Color of coding	Application	Marking of poles	female Art.No.	male Art.No.
■ concrete grey	250/400 V with PE	L, N, PE, 1, 2	96.051.6054.3	96.052.6054.3

female



male



modular, angled 90°

Color of coding	Application	Marking of poles	female Art.No.	male Art.No.
■ concrete grey	250/400 V with PE	L, N, PE, 1, 2	96.053.6054.3	96.054.6054.3

RST25I5, DEVICE CONNECTOR, M25, 5-POLE

SCREW CONNECTION

female



male



TECHNICAL DATA

Rated current:	25 A	Cross section fine-stranded:	0,75 mm ² - 4 mm ²
Degree of protection (IP):	IP66/68 (3m;2h) /IP69	Connection cross section solid:	0,75 mm ² - 4 mm ²
Terminations per pole:	1	Additional technical data, see facts & data.	
Lockable:	self-locking (unlocking by tool)		

standard, straight

Color of coding	Application	Marking of poles	female Art.No.	male Art.No.
■ concrete grey	250/400 V with PE	L, N, PE, 1, 2	96.051.5054.3	96.052.5054.3

female



male



TECHNICAL DATA

Rated current:	25 A	Cross section fine-stranded:	1,5 mm ² - 6 mm ²
Degree of protection (IP):	IP66/68 (3m;2h) /IP69	Connection cross section solid:	1,5 mm ² - 4 mm ²
Terminations per pole:	1	Additional technical data, see facts & data.	
Lockable:	self-locking (unlocking by tool)		

standard, straight

Color of coding	Application	Marking of poles	female Art.No.	male Art.No.
■ concrete grey	250/400 V with PE	L, N, PE, 1, 2	99.577.0000.7	99.578.0000.7

female



male



TECHNICAL DATA

Rated current:	25 A	Cross section fine-stranded:	0,75 mm ² - 4 mm ²
Degree of protection (IP):	IP66/68 (3m;2h) /IP69	Connection cross section solid:	0,75 mm ² - 4 mm ²
Terminations per pole:	1	Additional technical data, see facts & data.	
Lockable:	self-locking (unlocking by tool)		

modular, angled 90°

Color of coding	Application	Marking of poles	female Art.No.	male Art.No.
■ concrete grey	250/400 V with PE	L, N, PE, 1, 2	96.053.6254.3	96.054.6254.3

RST25I5, CABLE ASSEMBLY, 5-POLE

4 mm², 25 A



TECHNICAL DATA

Rated current:	25 A	type of construction:	Cable screw gland
Degree of protection (IP):	IP66/68 (3m;2h) /IP69	Additional technical data, see facts & data.	
Lockable:	self-locking (unlocking by tool)		

connecting cable, female - male

Cable color: ■ concrete grey
 Color of coding: ■ concrete grey
 Application: 250/400 V with PE
 Marking of poles: L, N, PE, 1, 2

Length (m)	H07RN-F halogenated	H05VV-F halogenated
	Art.No.	Art.No.
	■ black	■ black
1	96.854.1030.3	96.854.1000.3
2	96.854.2030.3	96.854.2000.3
3	96.854.3030.3	96.854.3000.3
4	96.854.4030.3	96.854.4000.3



TECHNICAL DATA

Rated current:	25 A	Preparation of conductor ends:	ultrasonically compressed wire ends
Degree of protection (IP):	IP66/68 (3m;2h) /IP69	type of construction:	Cable screw gland
Lockable:	self-locking (unlocking by tool)	Additional technical data, see facts & data.	

connection cable, female - free end

Cable color: ■ concrete grey
 Color of coding: ■ concrete grey
 Application: 250/400 V with PE
 Marking of poles: L, N, PE, 1, 2

Length (m)	H07RN-F halogenated	H05VV-F halogenated
	Art.No.	Art.No.
	■ black	■ black
1	96.854.1033.3	96.854.1003.3
2	96.854.2033.3	96.854.2003.3
3	96.854.3033.3	96.854.3003.3
4	96.854.4033.3	96.854.4003.3

RST25I5, CABLE ASSEMBLY, 5-POLE

4 mm², 25 A



TECHNICAL DATA

Rated current:	25 A	Preparation of conductor ends:	ultrasonically compressed wire ends
Degree of protection (IP):	IP66/68 (3m;2h) /IP69	type of construction:	Cable screw gland
Lockable:	self-locking (unlocking by tool)	Additional technical data, see facts & data.	

connection cable, male - free end

Cable color:	
Color of coding:	■ concrete grey
Application:	250/400 V with PE
Marking of poles:	L, N, PE, 1, 2

H07RN-F halogenated **H05VV-F halogenated**

Length (m)	Art.No.	Art.No.
	■ black	■ black
1	96.854.1034.3	96.854.1004.3
2	96.854.2034.3	96.854.2004.3
3	96.854.3034.3	96.854.3004.3
4	96.854.4034.3	96.854.4004.3

RST20/25, ACCESSORIES



cover piece for 2-/3-pole, captive against loss, for female

Color	Art.No.
■ black	99.414.6205.2
□ light grey	99.413.6205.2



cover piece for 2-/3-pole, captive against loss, for male

Color	Art.No.
■ black	99.416.6205.2
□ light grey	99.415.6205.2



cover piece for 2-/3-pole, not captive against loss, for female

Color	Art.No.
■ black	Z5.564.4553.1
□ light grey	Z5.564.4553.0



cover piece for 2-/3-pole, not captive against loss, for male

Color	Art.No.
■ black	05.564.4453.1
□ light grey	05.564.4453.0



cover piece for 4-/5-pole, captive against loss, for female

Color	Art.No.
■ black	99.530.0000.7
□ light grey	99.529.0000.7



cover piece for 4-/5-pole, captive against loss, for male

Color	Art.No.
■ black	99.532.0000.7
□ light grey	99.531.0000.7



cover piece for 4-/5-pole, not captive against loss, for female

Color	Art.No.
■ black	Z5.565.9853.1
□ light grey	Z5.565.9853.0

RST20/25, ACCESSORIES



cover piece for 4-/5-pole, not captive against loss, for male

Color	Art.No.
■ black	05.565.9953.1
□ light grey	05.565.9953.0



cover piece for 6-/7-pole, captive against loss, for female

Color	Art.No.
■ black	99.589.0000.7



cover piece for 6-/7-pole, captive against loss, for male

Color	Art.No.
■ black	99.591.0000.7



cover piece for 6-/7-pole, not captive against loss, for female

Color	Art.No.
■ black	Z5.569.5253.1



cover piece for 6-/7-pole, not captive against loss, for male

Color	Art.No.
■ black	Z5.569.5353.1



cover piece for pole socket, not captive against loss, for female

Color	Art.No.
■ black	Z5.564.4500.1



fastening cord for cover piece

Art.No.
99.000.9950.6

RST20/25, ACCESSORIES



manual disconnect tool, for 2- up to 5-pole

Color	Art.No.
■ black	05.564.8653.1
■ leaves green	05.564.8653.7
■ concrete grey	05.564.8653.3



manual disconnect tool, for 6-/7-pole

Color	Art.No.
■ concrete grey	06.562.8753.0



manual disconnect tool, for shrinkage tube version

Color	Art.No.
■ black	05.565.8653.1
■ leaves green	05.565.8653.7
■ concrete grey	05.565.8653.3



locking slide - safety Clip

Color	Art.No.
■ black	05.583.2900.1
■ concrete grey	05.583.2900.3



Spare sealing, Ø 6 - 10 mm

Color	Art.No.
■ black	05.565.0400.0



Spare sealing, Ø 10 - 14 mm

Color	Art.No.
■ black	05.565.0500.0



Spare sealing, Ø 13 - 18 mm

Color	Art.No.
■ black	05.565.2600.0

RST20/25, ACCESSORIES



mounting panel, for splitter connectors

Color	Art.No.
■ black	01.006.1553.1
□ light grey	01.006.1553.0



crimp contacts for 2-/3-pole, female

Nominal cross section	Art.No.
1 mm ²	02.122.9000.0
1.5 mm ²	02.122.9100.0
2.5 mm ²	02.122.9200.0
4 mm ²	02.122.9300.0



crimp contacts for 2-/3-pole, male

Nominal cross section	Art.No.
1 mm ²	05.544.7800.0
1.5 mm ²	05.544.7900.0
2.5 mm ²	05.544.8000.0
4 mm ²	05.545.4600.0



crimp contacts for 4-/5-pole, female

Nominal cross section	Art.No.
1 mm ²	02.125.5521.8
1.5 mm ²	02.125.5621.8
2.5 mm ²	02.125.5721.8
4 mm ²	02.125.5821.8



crimp contacts for 4-/5-pole, male

Nominal cross section	Art.No.
1 mm ²	05.545.0021.8
1.5 mm ²	05.545.0121.8
2.5 mm ²	05.545.0221.8
4 mm ²	05.545.0321.8



crimp contacts for 6-/7-pole, female

Nominal cross section	Art.No.
1 mm ²	02.127.1121.8
1.5 mm ²	02.127.1221.8
2.5 mm ²	02.127.1321.8



crimp contacts for 6-/7-pole, male

Nominal cross section	Art.No.
1 mm ²	05.546.3921.8
1.5 mm ²	05.546.4021.8
2.5 mm ²	05.546.4121.8

RST20/25, ACCESSORIES



Crimping tool, System kit

Art.No.
95.101.0800.0



crimping die B

Art.No.
05.502.2100.0



contact positioner for crimping tool

Color	Art.No.
■ black	05.502.3600.0



unlocking tool, for crimp contacts

Art.No.
05.502.3500.0



ferrule crimping tool, for cable end sleeve

Art.No.
95.101.1300.0



cable end sleeve, for RST20i3 spring clamp connection

Color	Nominal cross section	Art.No.
■ black	1.5 mm ²	06.600.3927.0
■ Red	1 mm ²	06.600.3627.0
■ Grey	0.75 mm ²	06.600.3727.0
□ white	0.5 mm ²	06.600.3827.0



screwdriver, for spring clamp connection

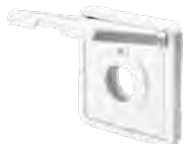
Art.No.
06.502.4300.0

RST20/25, ACCESSORIES



screwdriver

Art.No.
05.502.4000.0



mounting frame, for device connector M25

Color	Art.No.
<input type="checkbox"/> white	99.400.9999.7



surface mount socket

Color	Art.No.
<input type="checkbox"/> white	99.404.9999.7



spacer ring for device connector M25, manually actuated

Color	Art.No.
<input checked="" type="checkbox"/> black	05.568.8853.1



spacer ring for device connector M25, screwdriver actuated

Color	Art.No.
<input checked="" type="checkbox"/> black	05.566.5253.1
<input type="checkbox"/> light grey	05.566.5253.0



jumper plug, for series connection

Color	Application	Marking of poles	Art.No.
<input checked="" type="checkbox"/> signal brown	~50/-120 V	1, 2	99.537.0000.7



sample case, RST20i2...i7

Art.No.
99.431.0000.0

RST20/25, ACCESSORIES



sample case, RST20i3

Art.No.
99.429.0000.0



sample case, RST20i5

Art.No.
99.430.0000.0



sample case, RST20i7

Art.No.
99.439.0000.1

sample set, ATEX RST20i3

Art.No.
99.663.0000.0

sample set, ATEX RST20i5

Art.No.
99.664.0000.0

RST® CLASSIC ATEX

The connectors for use in hazardous environments.



FEATURES

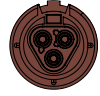
- + 2-pole to 5-pole
- + ATEX for Zone 2/22
- + Classification
 - Ex II 3G Ex ec IIC T6 Gc
 - Ex II 3D Ex tc IIIC T85 °C Dc

RST20i2



Mechanical coding (view on connector interface female)	black	light gray	leaf green	pebble gray	signal brown
Operating voltage (application)	250 V	250 V	~50/-120 V	~50/-120 V	~50/-120 V
Marking of poles	L, N	L, N	+, -	1, 2	1, 2

RST20i3



Mechanical coding (view on connector interface female)	black	light gray	light blue	signal brown
Operating voltage (application)	250 V with PE	250 V with PE	250/400 V	~50/-120 V with PE
Marking of poles	L, N, PE	L, N, PE	1, 2, 3	1, 2, PE

RST20i4



Mechanical coding (view on connector interface female)	black	light gray	signal brown
Operating voltage (application)	250/400 V with PE	250/400 V with PE	~50/-120 V
Marking of poles	1, 2, 3, PE	1, 2, 3, PE	1, 2, 3, 4

RST20i5



Mechanical coding (view on connector interface female)	black	light gray	turquoise	light blue	signal brown
Operating voltage (application)	250/400 V with PE	250/400 V with PE	250 V with PE	250/400 V	~50/-120 V
Marking of poles	1, 2, 3, N, PE	1, 2, 3, N, PE	D1, D2, L, PE, N	1, 2, 3, 4, 5	1, 2, 3, 4, 5

RST20I2 ATEX, CONNECTOR, 2-POLE

SCREW CONNECTION

TECHNICAL DATA

Rated current:	20 A	Cross section fine-stranded:	1,5 mm ² - 4 mm ²
Degree of protection (IP):	IP66/68 (3m;2h) /IP69	Connection cross section solid:	1,5 mm ² - 4 mm ²
Terminations per pole:	1	Additional technical data, see facts & data.	
Lockable:	self-locking (unlocking by tool)		

female



male



straight, for cables Ø 6-10 mm

Color of coding	Application	Marking of poles	female Art.No.	male Art.No.
■ black	250 V	L, N	X6.021.4053.1	X6.022.4053.1
□ light grey	250 V	L, N	X6.021.4053.0	X6.022.4053.0
■ pebble grey	~50/-120 V	+, -	X6.021.4050.8	X6.022.4050.8
■ signal brown	~50/-120 V	1, 2	X6.021.4051.4	X6.022.4051.4

female



male



straight, for cables Ø 10-14 mm

Color of coding	Application	Marking of poles	female Art.No.	male Art.No.
■ black	250 V	L, N	X6.021.4153.1	X6.022.4153.1
□ light grey	250 V	L, N	X6.021.4153.0	X6.022.4153.0
■ pebble grey	~50/-120 V	+, -	X6.021.4150.8	X6.022.4150.8
■ signal brown	~50/-120 V	1, 2	X6.021.4151.4	X6.022.4151.4

female



splitter connector, for cables Ø 6-10 mm

Color of coding	Application	Marking of poles	female Art.No.
■ black	250 V	L, N	X6.021.4253.1
□ light grey	250 V	L, N	X6.021.4253.0
■ pebble grey	~50/-120 V	+, -	X6.021.4250.8
■ signal brown	~50/-120 V	1, 2	X6.021.4251.4

female



splitter connector, for cables Ø 10-14 mm

Color of coding	Application	Marking of poles	female Art.No.
■ black	250 V	L, N	X6.021.4353.1
□ light grey	250 V	L, N	X6.021.4353.0
■ pebble grey	~50/-120 V	+, -	X6.021.4350.8
■ signal brown	~50/-120 V	1, 2	X6.021.4351.4

RST20I2 ATEX, CONNECTOR, 2-POLE

SPRING CLAMP CONNECTION

TECHNICAL DATA

Rated current:	20 A	Cross section fine-stranded:	1,5 mm ²
Degree of protection (IP):	IP66/68 (3m;2h) /IP69	Connection cross section solid:	1,5 mm ² - 2,5 mm ²
Terminations per pole:	2	Additional technical data, see facts & data.	
Lockable:	self-locking (unlocking by tool)		

female



male



straight, for cables Ø 6-10 mm

Color of coding	Application	Marking of poles	female Art.No.	male Art.No.
■ black	250 V	L, N	X6.021.0053.1*	X6.022.0053.1*
□ light grey	250 V	L, N	X6.021.0053.0*	X6.022.0053.0*
■ pebble grey	~50/-120 V	+, -	X6.021.0050.8*	X6.022.0050.8*
■ signal brown	~50/-120 V	1, 2	X6.021.0051.4*	X6.022.0051.4*

female



male



straight, for cables Ø 10-14 mm

Color of coding	Application	Marking of poles	female Art.No.	male Art.No.
■ black	250 V	L, N	X6.021.0153.1*	X6.022.0153.1*
□ light grey	250 V	L, N	X6.021.0153.0*	X6.022.0153.0*
■ pebble grey	~50/-120 V	+, -	X6.021.0150.8*	X6.022.0150.8*
■ signal brown	~50/-120 V	1, 2	X6.021.0151.4*	X6.022.0151.4*

*) Alternative technical data, see facts & data.

RST20I2 ATEX, DEVICE CONNECTOR, M20, 2-POLE

SCREW CONNECTION

TECHNICAL DATA

Rated current:	20 A	Cross section fine-stranded:	1,5 mm ² - 4 mm ²
Degree of protection (IP):	IP66/68 (3m;2h) /IP69	Connection cross section solid:	1,5 mm ² - 4 mm ²
Terminations per pole:	1	Additional technical data, see facts & data.	
Lockable:	self-locking (unlocking by tool)		

female



male



modular, straight

Color of coding	Application	Marking of poles	female Art.No.	male Art.No.
■ black	250 V	L, N	X6.021.6053.1	X6.022.6053.1
□ light grey	250 V	L, N	X6.021.6053.0	X6.022.6053.0
■ signal brown	~50/-120 V	1, 2	X6.021.6051.4	X6.022.6051.4

SPRING CLAMP CONNECTION

TECHNICAL DATA

Rated current:	20 A	Cross section fine-stranded:	1,5 mm ²
Degree of protection (IP):	IP66/68 (3m;2h) /IP69	Connection cross section solid:	1,5 mm ² - 2,5 mm ²
Terminations per pole:	2	Additional technical data, see facts & data.	
Lockable:	self-locking (unlocking by tool)		

female



male



modular, straight

Color of coding	Application	Marking of poles	female Art.No.	male Art.No.
■ black	250 V	L, N	X6.021.2053.1*	X6.022.2053.1*
□ light grey	250 V	L, N	X6.021.2053.0*	X6.022.2053.0*
■ signal brown	~50/-120 V	1, 2	X6.021.2051.4*	X6.022.2051.4*

*) Alternative technical data, see facts & data.

RST20I2 ATEX, DEVICE CONNECTOR, M25, 2-POLE

SCREW CONNECTION

TECHNICAL DATA

Rated current:	20 A	Cross section fine-stranded:	1,5 mm ² - 4 mm ²
Degree of protection (IP):	IP66/68 (3m;2h) /IP69	Connection cross section solid:	1,5 mm ² - 4 mm ²
Terminations per pole:	1	Additional technical data, see facts & data.	
Lockable:	self-locking (unlocking by tool)		

female



male



standard, straight

Color of coding	Application	Marking of poles	female Art.No.	male Art.No.
■ black	250 V	L, N	X6.021.5053.1	X6.022.5053.1
□ light grey	250 V	L, N	X6.021.5053.0	X6.022.5053.0
■ signal brown	~50/-120 V	1, 2	X6.021.5051.4	X6.022.5051.4

SPRING CLAMP CONNECTION

TECHNICAL DATA

Rated current:	20 A	Cross section fine-stranded:	1,5 mm ²
Degree of protection (IP):	IP66/68 (3m;2h) /IP69	Connection cross section solid:	1,5 mm ² - 2,5 mm ²
Terminations per pole:	2	Additional technical data, see facts & data.	
Lockable:	self-locking (unlocking by tool)		

female



male



standard, straight

Color of coding	Application	Marking of poles	female Art.No.	male Art.No.
■ black	250 V	L, N	X6.021.1053.1*	X6.022.1053.1*
□ light grey	250 V	L, N	X6.021.1053.0*	X6.022.1053.0*
■ signal brown	~50/-120 V	1, 2	X6.021.1051.4*	X6.022.1051.4*

*) Alternative technical data, see facts & data.

RST2013 ATEX, CONNECTOR, 3-POLE

SCREW CONNECTION

TECHNICAL DATA

Rated current:	20 A	Cross section fine-stranded:	1,5 mm ² - 4 mm ²
Degree of protection (IP):	IP66/68 (3m;2h) /IP69	Connection cross section solid:	1,5 mm ² - 4 mm ²
Terminations per pole:	1	Additional technical data, see facts & data.	
Lockable:	self-locking (unlocking by tool)		

female



male



straight, for cables Ø 6-10 mm

Color of coding	Application	Marking of poles	female Art.No.	male Art.No.
■ black	250 V with PE	L, N, PE	X6.031.4053.1	X6.032.4053.1
□ light grey	250 V with PE	L, N, PE	X6.031.4053.0	X6.032.4053.0
■ leaves green	250/400 V with PE	1, 2, PE	X6.031.4055.7	X6.032.4055.7
■ light blue	250/400 V	1, 2, 3	X6.031.4053.9	X6.032.4053.9
■ signal brown	~50/-120 V with PE	1, 2, PE	X6.031.4051.4	X6.032.4051.4

female



male



straight, for cables Ø 10-14 mm

Color of coding	Application	Marking of poles	female Art.No.	male Art.No.
■ black	250 V with PE	L, N, PE	X6.031.4153.1	X6.032.4153.1
□ light grey	250 V with PE	L, N, PE	X6.031.4153.0	X6.032.4153.0
■ leaves green	250/400 V with PE	1, 2, PE	X6.031.4155.7	X6.032.4155.7
■ light blue	250/400 V	1, 2, 3	X6.031.4153.9	X6.032.4153.9
■ signal brown	~50/-120 V with PE	1, 2, PE	X6.031.4151.4	X6.032.4151.4

female



male



straight, for cables Ø 13-18 mm

Color of coding	Application	Marking of poles	female Art.No.	male Art.No.
■ black	250 V with PE	L, N, PE	X6.031.4553.1	X6.032.4553.1

female



angled 90°, for cables Ø 6-10 mm

Color of coding	Application	Marking of poles	female Art.No.
■ black	250 V with PE	L, N, PE	X6.033.4053.1

female



splitter connector, for cables Ø 6-10 mm

Color of coding	Application	Marking of poles	female Art.No.
■ black	250 V with PE	L, N, PE	X6.031.4253.1
□ light grey	250 V with PE	L, N, PE	X6.031.4253.0
■ leaves green	250/400 V with PE	1, 2, PE	X6.031.4255.7
■ light blue	250/400 V	1, 2, 3	X6.031.4253.9
■ signal brown	~50/-120 V with PE	1, 2, PE	X6.031.4251.4

female



splitter connector, for cables Ø 10-14 mm

Color of coding	Application	Marking of poles	female Art.No.
■ black	250 V with PE	L, N, PE	X6.031.4353.1
□ light grey	250 V with PE	L, N, PE	X6.031.4353.0
■ leaves green	250/400 V with PE	1, 2, PE	X6.031.4355.7
■ light blue	250/400 V	1, 2, 3	X6.031.4353.9
■ signal brown	~50/-120 V with PE	1, 2, PE	X6.031.4351.4

RST2013 ATEX, CONNECTOR, 3-POLE

SPRING CLAMP CONNECTION

TECHNICAL DATA

Rated current:	20 A	Cross section fine-stranded:	1,5 mm ²
Degree of protection (IP):	IP66/68 (3m;2h) /IP69	Connection cross section solid:	1,5 mm ² - 2,5 mm ²
Terminations per pole:	2	Additional technical data, see facts & data.	
Lockable:	self-locking (unlocking by tool)		

female



male



straight, for cables Ø 6-10 mm

Color of coding	Application	Marking of poles	female Art.No.	male Art.No.
■ black	250 V with PE	L, N, PE	X6.031.0053.1*	X6.032.0053.1*
□ light grey	250 V with PE	L, N, PE	X6.031.0053.0*	X6.032.0053.0*
■ leaves green	250/400 V with PE	1, 2, PE	X6.031.0055.7*	X6.032.0055.7*
■ light blue	250/400 V	1, 2, 3	X6.031.0053.9*	X6.032.0053.9*
■ signal brown	~50/-120 V with PE	1, 2, PE	X6.031.0051.4*	X6.032.0051.4*

female



male



straight, for cables Ø 10-14 mm

Color of coding	Application	Marking of poles	female Art.No.	male Art.No.
■ black	250 V with PE	L, N, PE	X6.031.0153.1*	X6.032.0153.1*
□ light grey	250 V with PE	L, N, PE	X6.031.0153.0*	X6.032.0153.0*
■ leaves green	250/400 V with PE	1, 2, PE	X6.031.0155.7*	X6.032.0155.7*
■ light blue	250/400 V	1, 2, 3	X6.031.0153.9*	X6.032.0153.9*
■ signal brown	~50/-120 V with PE	1, 2, PE	X6.031.0151.4*	X6.032.0151.4*

*) Alternative technical data, see facts & data.

RST2013 ATEX, DEVICE CONNECTOR, M20, 3-POLE

SCREW CONNECTION

TECHNICAL DATA

Rated current:	20 A	Cross section fine-stranded:	1,5 mm ² - 4 mm ²
Degree of protection (IP):	IP66/68 (3m;2h) /IP69	Connection cross section solid:	1,5 mm ² - 4 mm ²
Terminations per pole:	1	Additional technical data, see facts & data.	
Lockable:	self-locking (unlocking by tool)		

female



male



modular, straight

Color of coding	Application	Marking of poles	female Art.No.	male Art.No.
■ black	250 V with PE	L, N, PE	X6.031.6053.1	X6.032.6053.1
□ light grey	250 V with PE	L, N, PE	X6.031.6053.0	X6.032.6053.0
■ leaves green	250/400 V with PE	1, 2, PE	X6.031.6055.7	X6.032.6055.7
■ signal brown	~50/-120 V with PE	1, 2, PE	X6.031.6051.4	X6.032.6051.4

SPRING CLAMP CONNECTION

TECHNICAL DATA

Rated current:	20 A	Cross section fine-stranded:	1,5 mm ²
Degree of protection (IP):	IP66/68 (3m;2h) /IP69	Connection cross section solid:	1,5 mm ² - 2,5 mm ²
Terminations per pole:	2	Additional technical data, see facts & data.	
Lockable:	self-locking (unlocking by tool)		

female



male



modular, straight

Color of coding	Application	Marking of poles	female Art.No.	male Art.No.
■ black	250 V with PE	L, N, PE	X6.031.2053.1*	X6.032.2053.1*
□ light grey	250 V with PE	L, N, PE	X6.031.2053.0*	X6.032.2053.0*
■ leaves green	250/400 V with PE	1, 2, PE	X6.031.2055.7*	X6.032.2055.7*
■ signal brown	~50/-120 V with PE	1, 2, PE	X6.031.2051.4*	X6.032.2051.4*

*) Alternative technical data, see facts & data.

RST2013 ATEX, DEVICE CONNECTOR, M25, 3-POLE

SCREW CONNECTION

TECHNICAL DATA			
Rated current:	20 A	Cross section fine-stranded:	1,5 mm ² - 4 mm ²
Degree of protection (IP):	IP66/68 (3m;2h) /IP69	Connection cross section solid:	1,5 mm ² - 4 mm ²
Terminations per pole:	1	Additional technical data, see facts & data.	
Lockable:	self-locking (unlocking by tool)		

female

male



standard, straight

Color of coding	Application	Marking of poles	female Art.No.	male Art.No.
■ black	250 V with PE	L, N, PE	X6.031.5053.1	X6.032.5053.1
□ light grey	250 V with PE	L, N, PE	X6.031.5053.0	X6.032.5053.0
■ leaves green	250/400 V with PE	1, 2, PE	X6.031.5055.7	X6.032.5055.7
■ signal brown	~50/-120 V with PE	1, 2, PE	X6.031.5051.4	X6.032.5051.4

female

male



modular, angled 90°

Color of coding	Application	Marking of poles	female Art.No.	male Art.No.
■ black	250 V with PE	L, N, PE	X6.033.6253.1	X6.034.6253.1

SPRING CLAMP CONNECTION

TECHNICAL DATA			
Rated current:	20 A	Cross section fine-stranded:	1,5 mm ²
Degree of protection (IP):	IP66/68 (3m;2h) /IP69	Connection cross section solid:	1,5 mm ² - 2,5 mm ²
Terminations per pole:	2	Additional technical data, see facts & data.	
Lockable:	self-locking (unlocking by tool)		

female

male



standard, straight

Color of coding	Application	Marking of poles	female Art.No.	male Art.No.
■ black	250 V with PE	L, N, PE	X6.031.1053.1*	X6.032.1053.1*
□ light grey	250 V with PE	L, N, PE	X6.031.1053.0*	X6.032.1053.0*
■ leaves green	250/400 V with PE	1, 2, PE	X6.031.1055.7*	X6.032.1055.7*
■ signal brown	~50/-120 V with PE	1, 2, PE	X6.031.1051.4*	X6.032.1051.4*

*) Alternative technical data, see facts & data.

RST20I3 ATEX, DISTRIBUTOR, 3-POLE

TECHNICAL DATA

Rated current:	20 A	Lockable:	self-locking (unlocking by tool)
Degree of protection (IP):	IP66/68 (3m;2h) /IP69	Additional technical data, see facts & data.	



distribution block 1I / 30, parallel connection, with fastening option

Color of coding	Application	Marking of poles	Art.No.
■ black	250 V with PE	L, N, PE	X6.030.0153.1

RST20I4 ATEX, CONNECTOR, 4-POLE

SCREW CONNECTION

TECHNICAL DATA

Rated current:	20 A	Cross section fine-stranded:	1,5 mm ² - 2,5 mm ²
Degree of protection (IP):	IP66/68 (3m;2h) /IP69	Connection cross section solid:	1,5 mm ² - 2,5 mm ²
Terminations per pole:	1	Additional technical data, see facts & data.	
Lockable:	self-locking (unlocking by tool)		

female

male



straight, for cables Ø 6-10 mm

Color of coding	Application	Marking of poles	female Art.No.	male Art.No.
■ black	250/400 V with PE	1, 2, 3, PE	X6.041.4053.1	X6.042.4053.1
□ light grey	250/400 V with PE	1, 2, 3, PE	X6.041.4053.0	X6.042.4053.0

female

male



straight, for cables Ø 10-14 mm

Color of coding	Application	Marking of poles	female Art.No.	male Art.No.
■ black	250/400 V with PE	1, 2, 3, PE	X6.041.4153.1	X6.042.4153.1
□ light grey	250/400 V with PE	1, 2, 3, PE	X6.041.4153.0	X6.042.4153.0

RST20I4 ATEX, DEVICE CONNECTOR, M20, 4-POLE

SCREW CONNECTION

TECHNICAL DATA

Rated current:	20 A	Cross section fine-stranded:	1,5 mm ² - 2,5 mm ²
Degree of protection (IP):	IP66/68 (3m;2h) /IP69	Connection cross section solid:	1,5 mm ² - 2,5 mm ²
Terminations per pole:	1	Additional technical data, see facts & data.	
Lockable:	self-locking (unlocking by tool)		

female



male



modular, straight

Color of coding	Application	Marking of poles	female Art.No.	male Art.No.
■ black	250/400 V with PE	1, 2, 3, PE	X6.041.6053.1	X6.042.6053.1
□ light grey	250/400 V with PE	1, 2, 3, PE	X6.041.6053.0	X6.042.6053.0

RST20I4 ATEX, DEVICE CONNECTOR, M25, 4-POLE

SCREW CONNECTION

TECHNICAL DATA

Rated current:	20 A	Cross section fine-stranded:	1,5 mm ² - 2,5 mm ²
Degree of protection (IP):	IP66/68 (3m;2h) /IP69	Connection cross section solid:	1,5 mm ² - 2,5 mm ²
Terminations per pole:	1	Additional technical data, see facts & data.	
Lockable:	self-locking (unlocking by tool)		

female



male



standard, straight

Color of coding	Application	Marking of poles	female Art.No.	male Art.No.
■ black	250/400 V with PE	1, 2, 3, PE	X6.041.5053.1	X6.042.5053.1
□ light grey	250/400 V with PE	1, 2, 3, PE	X6.041.5053.0	X6.042.5053.0
■ signal brown	~50/-120 V	1, 2, 3, 4	X6.041.5051.4	X6.042.5051.4

RST2015 ATEX, CONNECTOR, 5-POLE

SCREW CONNECTION

TECHNICAL DATA

Rated current:	20 A	Cross section fine-stranded:	1,5 mm ² - 2,5 mm ²
Degree of protection (IP):	IP66/68 (3m;2h) /IP69	Connection cross section solid:	1,5 mm ² - 2,5 mm ²
Terminations per pole:	1	Additional technical data, see facts & data.	
Lockable:	self-locking (unlocking by tool)		

female

male



straight, for cables Ø 6-10 mm

Color of coding	Application	Marking of poles	female Art.No.	male Art.No.
■ black	250/400 V with PE	1, 2, 3, N, PE	X6.051.4053.1	X6.052.4053.1
□ light grey	250/400 V with PE	1, 2, 3, N, PE	X6.051.4053.0	X6.052.4053.0
■ light blue	250/400 V	1, 2, 3, 4, 5	X6.051.4053.9	X6.052.4053.9
■ turquoise blue	250 V with PE	D1, D2, L, PE, N	X6.051.4053.6	X6.052.4053.6
■ signal brown	~50/-120 V	1, 2, 3, 4, 5	X6.051.4051.4	X6.052.4051.4

female

male



straight, for cables Ø 10-14 mm

Color of coding	Application	Marking of poles	female Art.No.	male Art.No.
■ black	250/400 V with PE	1, 2, 3, N, PE	X6.051.4153.1	X6.052.4153.1
□ light grey	250/400 V with PE	1, 2, 3, N, PE	X6.051.4153.0	X6.052.4153.0
■ light blue	250/400 V	1, 2, 3, 4, 5	X6.051.4153.9	X6.052.4153.9
■ turquoise blue	250 V with PE	D1, D2, L, PE, N	X6.051.4153.6	X6.052.4153.6
■ signal brown	~50/-120 V	1, 2, 3, 4, 5	X6.051.4151.4	X6.052.4151.4

female

male



straight, for cables Ø 13-18 mm

Color of coding	Application	Marking of poles	female Art.No.	male Art.No.
■ black	250/400 V with PE	1, 2, 3, N, PE	X6.051.4553.1	X6.052.4553.1

female

splitter connector, for cables Ø 10-14 mm

Color of coding	Application	Marking of poles	female Art.No.
□ light grey	250/400 V with PE	1, 2, 3, N, PE	X6.051.4353.0



RST2015 ATEX, DEVICE CONNECTOR, M20, 5-POLE

SCREW CONNECTION

TECHNICAL DATA

Rated current:	20 A	Cross section fine-stranded:	1,5 mm ² - 2,5 mm ²
Degree of protection (IP):	IP66/68 (3m;2h) /IP69	Connection cross section solid:	1,5 mm ² - 2,5 mm ²
Terminations per pole:	1	Additional technical data, see facts & data.	
Lockable:	self-locking (unlocking by tool)		

female



male



modular, straight

Color of coding	Application	Marking of poles	female Art.No.	male Art.No.
■ black	250/400 V with PE	1, 2, 3, N, PE	X6.051.6053.1	X6.052.6053.1
□ light grey	250/400 V with PE	1, 2, 3, N, PE	X6.051.6053.0	X6.052.6053.0
■ turquoise blue	250 V with PE	D1, D2, L, PE, N	X6.051.6053.6	X6.052.6053.6
■ signal brown	~50/-120 V	1, 2, 3, 4, 5	X6.051.6051.4	X6.052.6051.4

female



modular, angled 90°

Color of coding	Application	Marking of poles	female Art.No.
■ black	250/400 V with PE	1, 2, 3, N, PE	X6.053.6053.1

RST2015 ATEX, DEVICE CONNECTOR, M25, 5-POLE

SCREW CONNECTION

TECHNICAL DATA

Rated current:	20 A	Cross section fine-stranded:	1,5 mm ² - 2,5 mm ²
Degree of protection (IP):	IP66/68 (3m;2h) /IP69	Connection cross section solid:	1,5 mm ² - 2,5 mm ²
Terminations per pole:	1	Additional technical data, see facts & data.	
Lockable:	self-locking (unlocking by tool)		

female



male



standard, straight

Color of coding	Application	Marking of poles	female Art.No.	male Art.No.
■ black	250/400 V with PE	1, 2, 3, N, PE	X6.051.5053.1	X6.052.5053.1
□ light grey	250/400 V with PE	1, 2, 3, N, PE	X6.051.5053.0	X6.052.5053.0
■ light blue	250/400 V	1, 2, 3, 4, 5	X6.051.5053.9	X6.052.5053.9
■ turquoise blue	250 V with PE	D1, D2, L, PE, N	X6.051.5053.6	X6.052.5053.6
■ signal brown	~50/-120 V	1, 2, 3, 4, 5	X6.051.5051.4	X6.052.5051.4

male



modular, straight

Color of coding	Application	Marking of poles	male Art.No.
■ turquoise blue	250 V with PE	D1, D2, L, PE, N	X6.052.6253.6

RST® POWER

The high-current connector
for large cross-sections.



FEATURES

- + 4 and 5-pole
- + 50 A rated current
- + Mechanical coding

RST50i4



Mechanical coding (view on connector interface female)

black

Operating voltage (application)

250/400 V with PE

Marking of poles

1, 2, 3, PE

RST50i5



Mechanical coding (view on connector interface female)

black

Operating voltage (application)

250/400 V with PE

Marking of poles

1, 2, 3, N, PE

RST50I4, CONNECTOR, 4-POLE

SCREW CONNECTION

TECHNICAL DATA

Rated current:	50 A	Cross section fine-stranded:	4 mm ² - 16 mm ²
Degree of protection (IP):	IP66/67/69	Connection cross section solid:	4 mm ² - 6 mm ²
Terminations per pole:	1	Additional technical data, see facts & data.	
Lockable:	yes		

female

male



straight, for cables Ø 15-25 mm

female

male

Color of coding	Application	Marking of poles	Art.No.	Art.No.
■ black	250/400 V with PE	1, 2, 3, PE	97.041.4053.1	97.042.4053.1

female

male



straight, for cables Ø 20-32 mm

female

male

Color of coding	Application	Marking of poles	Art.No.	Art.No.
■ black	250/400 V with PE	1, 2, 3, PE	97.041.4253.1	97.042.4253.1

RST50I4, DEVICE CONNECTOR, M32, 4-POLE

SCREW CONNECTION

TECHNICAL DATA

Rated current:	50 A	Cross section fine-stranded:	4 mm ² - 16 mm ²
Degree of protection (IP):	IP66/67/69	Connection cross section solid:	4 mm ² - 16 mm ²
Terminations per pole:	1	Additional technical data, see facts & data.	
Lockable:	yes		

female



male



standard, straight, fixed in position

Color of coding	Application	Marking of poles	female Art.No.	male Art.No.
■ black	250/400 V with PE	1, 2, 3, PE	97.041.5553.1	97.042.5553.1

female



male



standard, straight, not fixed in position

Color of coding	Application	Marking of poles	female Art.No.	male Art.No.
■ black	250/400 V with PE	1, 2, 3, PE	97.041.5053.1	97.042.5053.1

RST50I5, CONNECTOR, 5-POLE

SCREW CONNECTION

TECHNICAL DATA

Rated current:	50 A	Cross section fine-stranded:	4 mm ² - 16 mm ²
Degree of protection (IP):	IP66/67/69	Connection cross section solid:	4 mm ² - 6 mm ²
Terminations per pole:	1	Additional technical data, see facts & data.	
Lockable:	yes		

female

male



straight, for cables Ø 15-25 mm

female

male

Color of coding	Application	Marking of poles	Art.No.	Art.No.
■ black	250/400 V with PE	1, 2, 3, N, PE	97.051.4053.1	97.052.4053.1

female

male



straight, for cables Ø 20-32 mm

female

male

Color of coding	Application	Marking of poles	Art.No.	Art.No.
■ black	250/400 V with PE	1, 2, 3, N, PE	97.051.4253.1	97.052.4253.1

RST50I5, DEVICE CONNECTOR, M32, 5-POLE

SCREW CONNECTION

TECHNICAL DATA

Rated current:	50 A	Cross section fine-stranded:	4 mm ² - 16 mm ²
Degree of protection (IP):	IP66/67/69	Connection cross section solid:	4 mm ² - 16 mm ²
Terminations per pole:	1	Additional technical data, see facts & data.	
Lockable:	yes		

female



male



standard, straight, fixed in position

Color of coding	Application	Marking of poles	female Art.No.	male Art.No.
■ black	250/400 V with PE	1, 2, 3, N, PE	97.051.5553.1	97.052.5553.1

female



male



standard, straight, not fixed in position

Color of coding	Application	Marking of poles	female Art.No.	male Art.No.
■ black	250/400 V with PE	1, 2, 3, N, PE	97.051.5053.1	97.052.5053.1

RST50, ACCESSORIES



cover cap for female and male

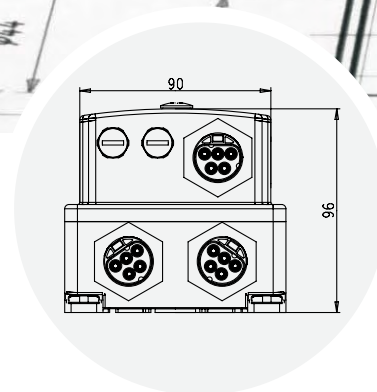
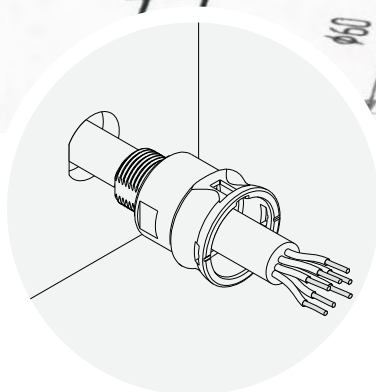
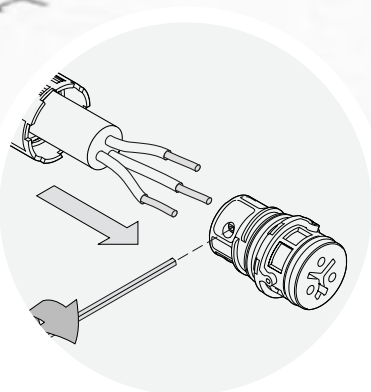
Color	Art.No.
■ black	Z5.567.5653.0



sample case, RST50i5

Art.No.
99.628.0000.0

FACTS & DATA





General notes	206
General technical data	208
Technical data + notes	
RST® MICRO	212
RST® MINI	218
RST® CLASSIC	228
RST® CLASSIC ATEX	229
RST® POWER	238
RST® DISTRIBUTOR	244



GENERAL NOTES

Safety notes

- All components must be installed, commissioned, and serviced only by trained electricians.
- Observe the country-specific regulations for installation.
- Installation connector systems are no substitute for national plug/socket systems for domestic use.
- The connectors are not suitable for current interruption. Never remove or insert the connector under load.
- Connectors with dissimilar voltages must not be joined.
- Potentially-hazardous interchangeability with installation connector systems of other manufacturers is not automatically ruled out through compliance with DIN VDE 0606 T200 or IEC 61535.

Installation notes

- According to the directive, voltage carrying part must be a female connector.
Mounting of a ring line with standards-compliant design therefore not possible.
- The connectors must be protected from bending forces by further measures (e.g. no loads suspended from cables; cable rewinds not hanging freely, etc.).
- Choose a horizontal installation position to ensure water drains away. In accordance with installation regulation IEC 60364-5-52 (DIN VDE 0100-522.3), cable systems must be designed in such a way that damage caused by the ingress of water is avoided.
- Cable and conductor systems must conform to the required protection rating. If water can accumulate or condense, precautions to ensure water drainage must be taken. This applies in particular for the sealing points in the strain relief area.
- If abrasion is possible (flexible installations), cable assembly wear must be taken into account and monitored.
- Avoid kinking the cable in the strain relief area. Minimum bending radii must be respected.
- Absorption of mechanical bending movements in the strain relief area through suitable measures (e.g. cable clamps).
- For connectors with contact seals: Use only one connector with contact sealing, either male or female connector.
- To guarantee compliance with the IP protection rating, cover caps (accessories) must be mounted on all unassigned male or female connectors.
- The installation regulation IEC 60364-5-52 (VDE 0100-520) must be respected.

GENERAL NOTES

Other important notes

- Protection against contact with live parts generally guaranteed, even in the unmated condition.
- For connectors with yellow/green conductor: The connectors are designed such that the yellow/green conductor contact is always leading.
- All components can be locked together.
- The contacts are protected to prevent tensile load on the cable. If the connector is placed under an unusually high tensile load, it will disengage to prevent the wires being pulled out of the contacts and causing a hazard (except RST® POWER).
- The connector system is not designed for permanent operation under water. Unscheduled immersion is, however, possible within the specification.
- Installing the system components directly in the ground is not envisaged. According to IEC 60364-5-52 (VDE 0100-520), connectors must be protected using suitable additional facilities and must be accessible for visual inspection, testing, and maintenance.
- Can be connected only when polarity is correct; 1-pole not contactable.
- 2-pole connectors are in 3-pole housings, one pole is unassigned.
- 4-pole connectors are in 5-pole housings, one pole is unassigned.
- 6-pole connectors are in 7-pole housings, one pole is unassigned.
- In chlorinated atmospheres, only variants with screw and crimp connections may be used.



INFO TO GO

Further information about the correct installation can be found in our white paper "Installation notes for electrical installations in outdoor areas".



WHITEPAPER RST®

Electrical installation instructions for the outdoor area

Bestell-Nr. 0693.1



GENERAL TECHNICAL DATA


Cable assemblies

Versions of the free ends:

	Sheath strip length	Wire strip length
RST standard	35 mm	9 mm
RST20i2 pole socket	300 mm	9 mm
RST20i3 pole socket	300 mm	9 mm

Overview of wire colors and pole configurations

RST08i2	
black	1 = brown, 2/N = blue
pebble gray, slate gray	1 = blue, 2 = brown
light blue	1 = brown, 2/N = blue
RST08i3	
black	1 = brown, 2/N = blue, PE = green / yellow
pebble gray	1 = blue, 2 = brown, PE = green / yellow
RST16i2	
black	N = blue, L = brown
signal brown	1 = blue, 2 = brown
RST16i3	
black	L = brown, N = blue, PE = yellow / green
RST16i5	
black	1 = brown, 2 = black, 3 = gray, N = blue, PE = yellow / green
turquoise	1 = gray, 2 = black, L = brown, N = blue, PE = yellow / green
RST 20i2	
black	N = blue, L = brown
signal brown	1 = blue, 2 = brown
pebble gray	- = blue, + = brown
RST 20i3	
black	L = brown, N = blue, PE = yellow / green
leaf green	1 = brown, 2 = blue, PE = green / yellow
light blue	1 = black, 2 = gray, 3 = brown
RST20i4	
black	1 = brown, 2 = black, 3 = blue, PE = yellow / green
RST20i5	
black, light gray	1 = brown, 2 = black, 3 = gray, N = blue, PE = yellow / green
turquoise	D1 = gray, D2 = black, L = brown, N = blue, PE = yellow / green
RST25i3	
Concrete gray	L = brown, N = blue, PE = yellow / green
RST25i5	
Concrete gray	1 = brown, 2 = black, L = gray, N = blue, PE = yellow / green

 This pole configuration is also our recommendation for the connector / device connector interface executed by the customer.



GENERAL TECHNICAL DATA

Definition of our numerical code

A logical structure makes ordering easy

Our numerical code saves time and effort when ordering our cable assemblies. Your needs can be compiled quickly and efficiently.

The way it works is simple and refers to our part numbers, which have a consistent structure. Your customized product can be ordered in just a few steps.



Connector system			96.	232.	30	6	3.	1
	RST® MICRO	RST08	41./4L.					
	RST® MINI	RST16	46.					
	RST® CLASSIC	RST20	96.					
Cable type and diameter								
2-pole	0.75 mm ²	RST08i2		427.				
2-pole	1.5 mm ²	RST16i2		422.				
2-pole	2.5 mm ²	RST16i2		423.				
2-pole	1.5 mm ²	RST20i2		222.				
2-pole	2.5 mm ²	RST20i2		223.				
3-pole	0.75 mm ²	RST08i3		437.				
3-pole	1.5 mm ²	RST16i3		432.				
3-pole	2.5 mm ²	RST16i3		433.				
3-pole	0.75 mm ²	RST20i3		230.				
3-pole	1.0 mm ²	RST20i3		231.				
3-pole	1.5 mm ²	RST20i3		232.				
3-pole	2.5 mm ²	RST20i3		233.				
3-pole	4.0 mm ²	RST25i3		834.				
4-pole	1.5 mm ²	RST20i4		442.				
4-pole	2.5 mm ²	RST20i4		443.				
5-pole	1.5 mm ²	RST20i5, RST16i5		452.				
5-pole	2.5 mm ²	RST20i5, RST16i5		453.				
5-pole	2.5 mm ²	RST25i5		853.				
5-pole	4.0 mm ²	RST20i5		454.				
5-pole	4.0 mm ²	RST25i5		854.				
Length								
Length incl. female / male connector up to 10 m in dm (example: 3.0 m = 30 dm)					30			
Type of cable, material, and fire class								
H05VV-F	PVC	RST20i2...i5, RST16i2...i3, RST16i5						0
H07RN-F/H05RN-F	Rubber	RST20i2...i5, RST16i2...i3, RST16i5, RST08i2...i3						3
H07RN-F EV	Rubber / Halogen-free	RST20i3, RST20i5, RST16i5						5
H05Z1Z1-F, Eca	Halogen-free	RST20i2...i3, RST20i5, RST16i2...i3, RST16i5						6
Ölflex classic 110	PVC	RST20i2, RST20i4...i5						8
H05Z1Z1-F, B2ca	Halogen-free	RST20i2...i3, RST20i5, RST16i2...i3, RST16i5						B
H05Z1Z1-F, Cca	Halogen-free	RST20i3, RST20i5, RST16i3, RST16i5						C
H05Z1Z1-F, Dca	Halogen-free	RST20i3, RST20i5, RST16i5						D
Type of assembly								
Extension	Male - female	250 V						0.
Extension	Male - female	250 V/400 V						1.
Extension	Male - female	~ 50 V/- 120 V						2.
Connection cable	Female - free end	250 V						3.
Connection cable	Male - free end	250 V						4.
Connection cable	Female - free end	250 V/400 V						5.
Connection cable	Male - free end	250 V/400 V						6.
Connection cable	Female - free end	~ 50 V/- 120 V						7.
Connection cable	Male - free end	~ 50 V/- 120 V						8.
Colors / codings								
light grey	RST20i2...i5, RST20i7, RST16i2...i5							0
black	RST20i2...i5, RST20i7, RST16i2...i5, RST08i2...i3							1
concrete grey	RST25i3, RST25i5							3
signal brown	RST20i2...i5, RST16i2...i5							4
slate grey	RST08i2...i5							4
turquoise blue	RST20i2...i7, RST16i2...i3, RST16i5							6
leaves green	RST20i2...RST20i3, RST16i2...i3							7
pebble grey	RST20i2...i3, RST08i2...i5							8
light blue	RST20i3, RST20i5, RST20i7, RST16i2...i3, RST16i5, RST08i2...i3							9



GENERAL TECHNICAL DATA

IP ratings

Definition of IP ratings (DIN EN 60529-1)

IP	1st digit		2nd digit				
	6	8	IP ratings against ingress of objects and contact		IP ratings against ingress of water		
Example				Protection against contact		Protection against ingress of water	
			0	No protection	No protection	0	No protection
			1	Any large surface of the body (e.g. back of hand)	Large objects (> 50 mm in diameter)	1	Protection against vertically falling drops
			2	Finger	Medium-sized objects (> 12 mm in diameter)	2	Protection against diagonally (up to 15°) falling water drops
			3	Tools and wires (> 2.5 mm in diameter)	Small objects (> 2.5 mm in diameter)	3	Protection against spraying water up to 60° to the vertical
			4	Tools and wires (> 1.0 mm in diameter)	Grain-shaped objects (> 12 mm in diameter)	4	Protection from splashing water from any direction
			5	Complete protection against contact	Dust deposition	5	Protection against jet spray water ✓
			6	Complete protection against contact	Dust ingress ✓	6	Protection against powerful water jets ✓
			7			7	Protection against temporary immersion in water ✓
			8			8	Protection against continuous immersion in water ✓
			9			9	Protection against high pressure, high temperature spray downs ✓

GENERAL TECHNICAL DATA

Always the right cable

One of the decisive factors for the longevity of your system is the perfect interplay between the materials used in order to be able to withstand the different environmental conditions

While all connectors and distributors are designed for permanent operation indoors and outdoors, things are a little different when it comes to the cables. The selection of the appropriate cable is of utmost importance for the durable operation of the installation.

As a standard, we offer the H05VV-F and H05Z1Z1 cable, but its field of application is limited to indoor use. These cables are not suitable for outdoor use and permanently damp or wet rooms! The protection against foreign bodies (IP 6X) is in the foreground here. Temporary moisture for cleaning purposes is possible.

Temporary outdoor installations without special requirements can be realized with the rubber hose cable H07RN-F, whereby it must also be checked here whether an additional measure, such as laying in installation pipes, is necessary.

In the event that installations are directly exposed to environmental influences over a longer period of time, the selection of the suitable cable must be discussed with Wieland.



H05VV-F PVC CABLE

Use inside dry rooms, not outdoors, not directly in the ground.

No UV resistance.

- **Minimum bending radius:**
4 x outside diameter
- **Service temperature:**
5 °C (laying and handling)
to +70 °C



H07RN-F RUBBER-SHEATHED CABLE

Use inside dry, damp, and wet rooms, as well as outdoors, but not directly in the ground.

Limited UV resistance.

- **Minimum bending radius:**
4 x outside diameter
- **Service temperature:**
from -25 °C to +60 °C



H07RN-F (ENHANCED VERSION) ENHANCED RUBBER-SHEATHED CABLE

Use inside dry, damp, and wet rooms, as well as outdoors due to UV and ozone resistance. The cable is halogen-free and flame-retardant. But do not lay the cable directly in the ground.

- **Minimum bending radius:**
4 x outside diameter
- **Service temperature:**
from -50 °C to +90 °C



RST[®] MICRO TECHNICAL DATA

	RST08i2/i3	RST08i4/i5
Rated voltage	250/400 V	250/400 V
Rated current	8 A	8 A
Number of poles	2- or 3-pole	4- or 5-pole
Connectable cable diameter*	4 - 7 mm	5 - 10.6 mm
Connector temperature range	- 40 °C to +100 °C	
Material	Contact parts: Brass, surface-treated housing parts: Polyamide, halogen free, V0, f1 Sealing material: NBR	
Pollution degree	3 (when connected)	
Protection rating	IP66/68 (3m; 2h)/69 barrier seal optional	
Certificates / approvals	VDE (to IEC 61984), cULus, LR, DNV/GL, RINA, BV	

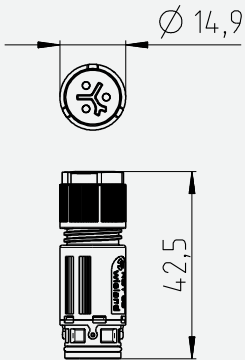
*Other diameters on request

RST® MICRO DIMENSIONS

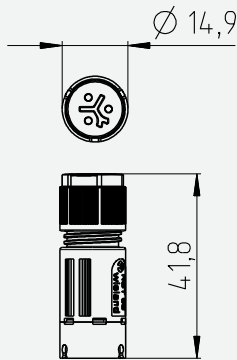
RST08i2/i3

CONNECTORS

female

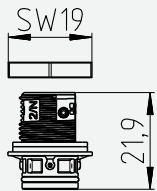


male

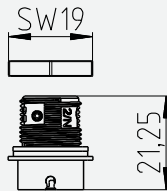


DEVICE CONNECTOR

female

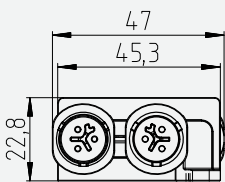


male

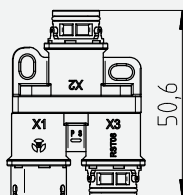
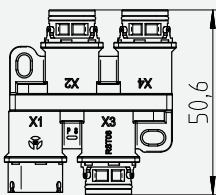
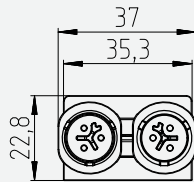


DISTRIBUTORS

1E / 3A



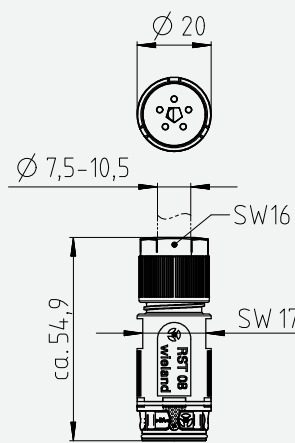
1E / 2A



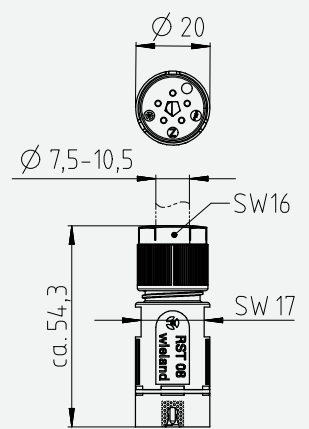
RST08i4/i5

CONNECTORS

female

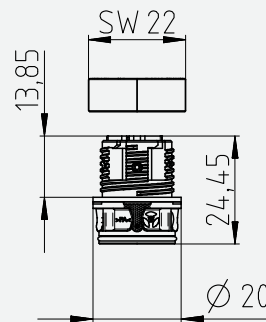


male

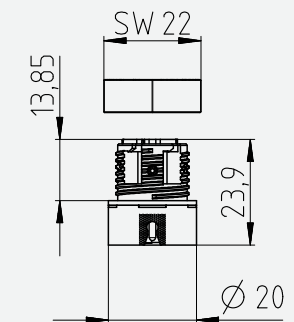


DEVICE CONNECTOR

female

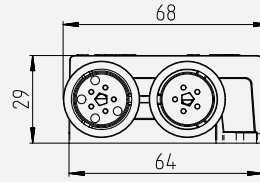


male

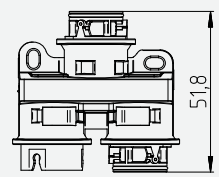
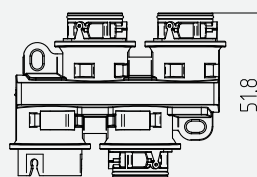
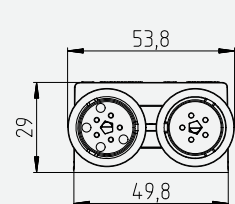


DISTRIBUTORS

1E / 3A



1E / 2A



NOTE: The drawing for your product can be found in the Download area of the relevant Art.No. at eshop.wieland-electric.com



RST® MICRO CABLE PREPARATION

Connectable conductor cross-sections

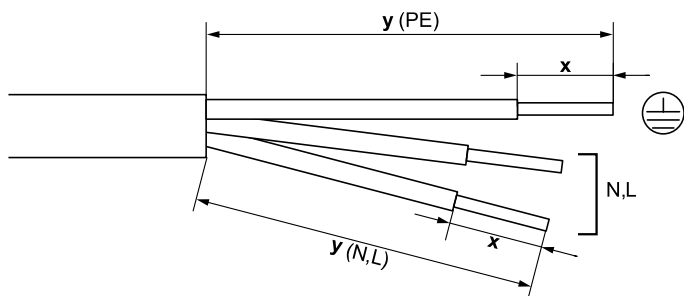
Conductor	Solid	Fine-stranded, no cable end sleeve	Fine-stranded, with cable end sleeve
Screw connection	0.2 - 1.0 mm ² / AWG 24 - 16	0.22 - 1.0 mm ² / AWG 24 - 16	0.22 - 0.50 mm ²

*Ferrules without insulating collars must be used.

i RST® terminals with screw clamping allow the connection of conductors without special preparation according to EN 60999-1.

Sheath strip and wire strip lengths

Conductor	PE	N, L
Sheath strip length y	19	18
Wire strip length x	6	6



RST[®] MICRO MATERIAL RESISTANCE

Medium	Connector & device connector	Distributors
Acytelene C ₂ H ₂	✓	
Alcohols	✓	✓
Amonia sulfuric acid = amonium sulfate	✓	
Ammonium chloride (Salmjak)	✓	
Ammonium sulfate 10 %	✓	
Butylalkohol (Butanol)	✓	
Butyl alcohol (butanol)	✓	
Citric acid, aqueous, 10%	✓	✓
Fruit juices, fruit acids	✓	
Glycerin	✓	
Potassium chloride	✓	
Common salt, (sodium chloride) aqueous, 10%.	✓	
Nickel chloride (II) saturated	✓	
Phosphates	✓	
Mercury pure	✓	
Sulfur hexaflouride	✓	
Water (sea water, salt water)	✓	✓

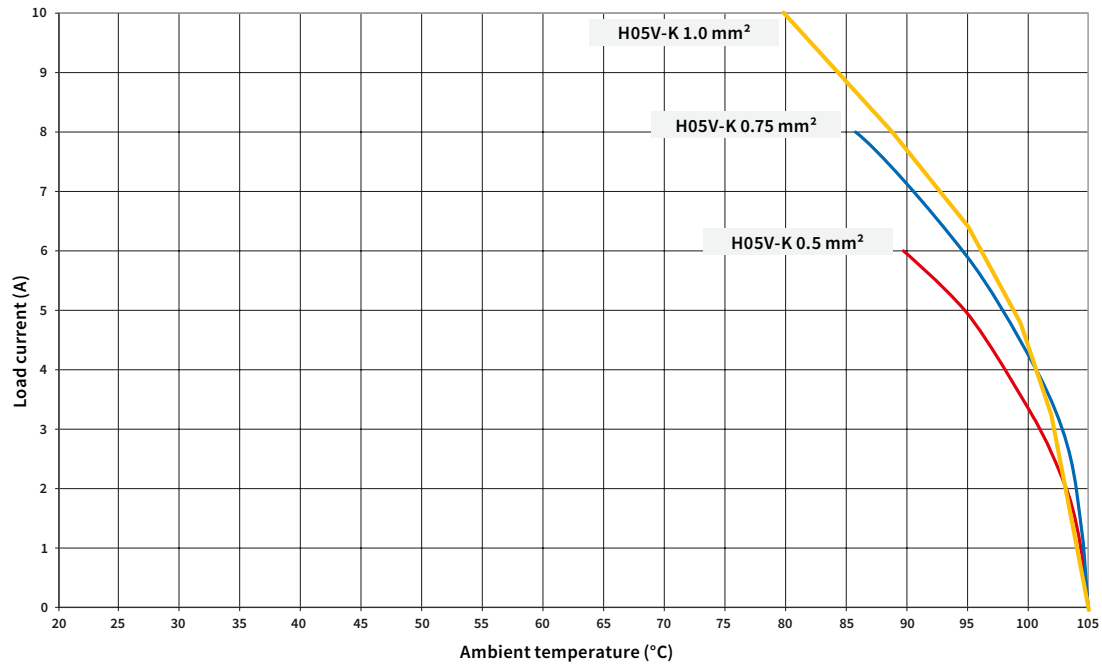
We use the thermoplastic material polyamide for our products. The table above shows an extract of substances and the resistance of polyamide at room temperature approx. 20 °C. Contact our customer service to have the material resistance to the substances confirmed or if you have other substances in use that are not included in this list.



RST[®] MICRO DERATING CURVES

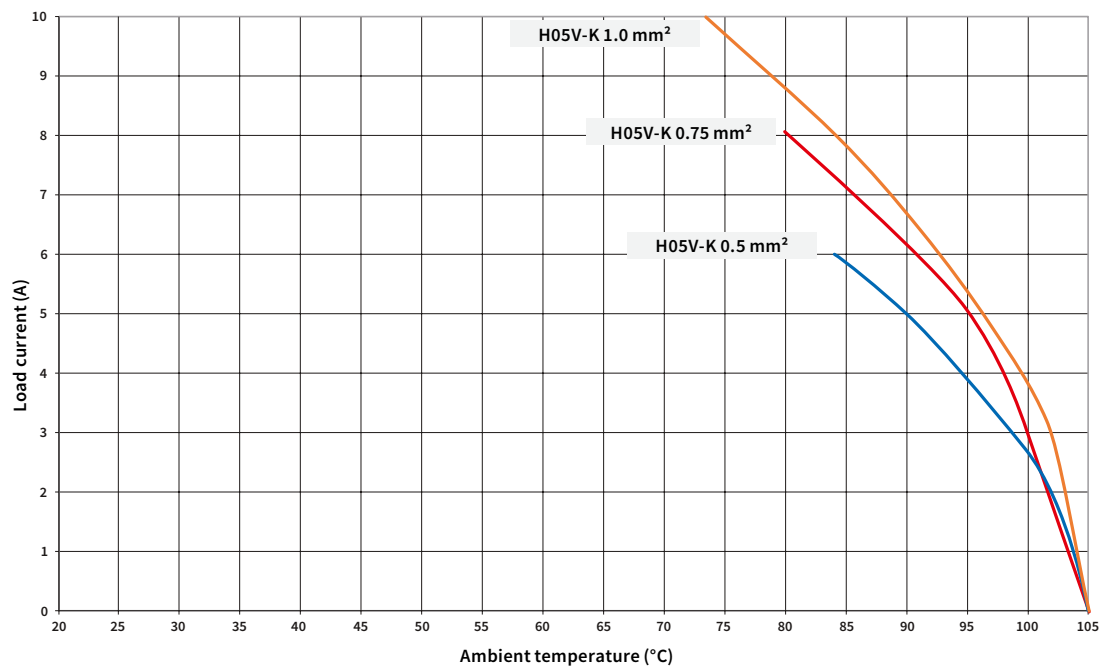
RST08i2

Derating curve to DIN EN 60512 Part 5-2; Test 5b



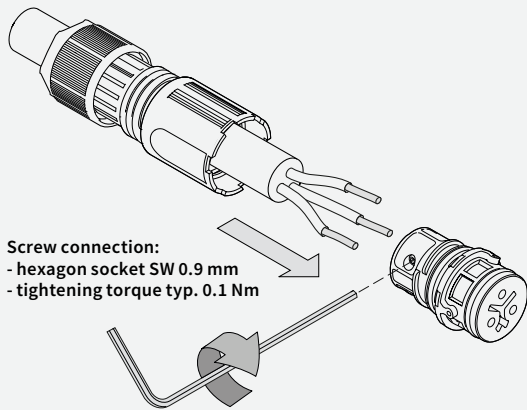
RST08i3

Derating curve to DIN EN 60512 Part 5-2; Test 5b



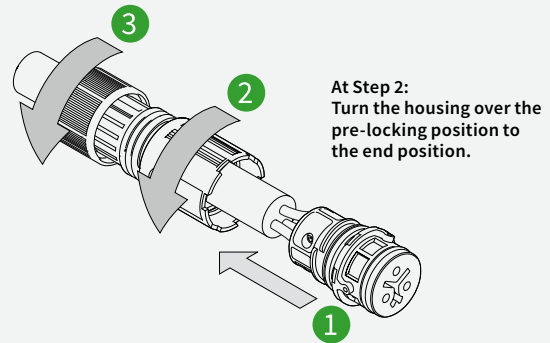
RST[®] MICRO ASSEMBLY INSTRUCTION

CABLE ASSEMBLY

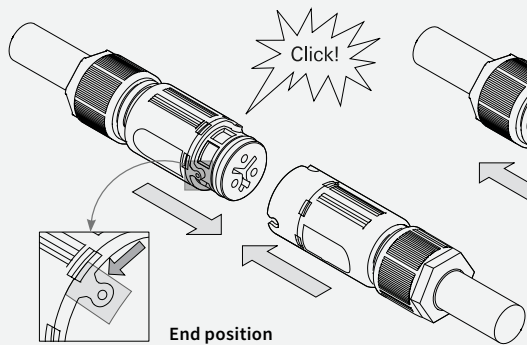


CLOSING THE CONNECTOR

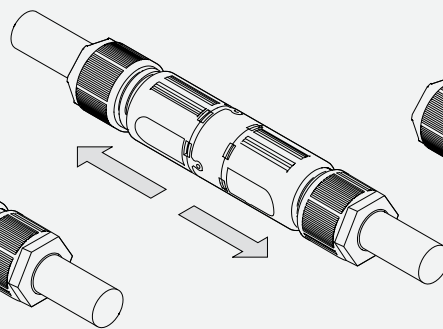
Gland nut gripping sleeve (3): Tightening torque typ. 0.8 Nm.



INSERT AND LOCK

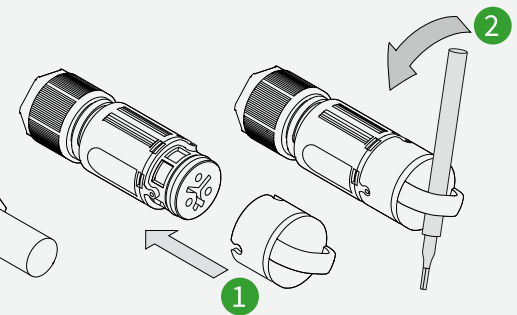


UNLOCK AND DISCONNECT



OPENING THE CONNECTOR

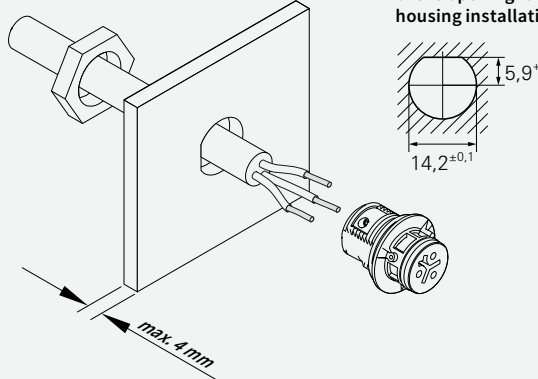
The cover cap makes the connector easier to open.



HOUSING INSTALLATION WITH M14 CABLE FEED THROUGH

Nut: Tightening torque typ. 0.7 Nm.

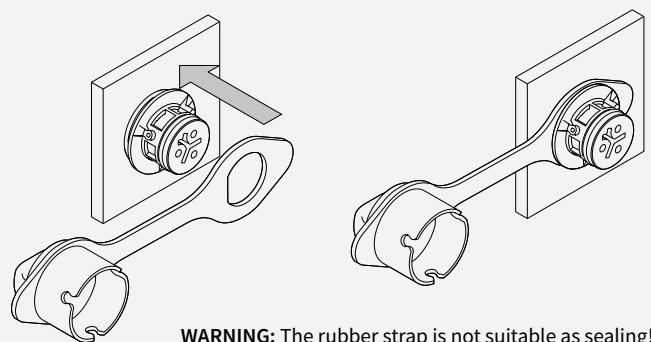
Dimension drawing of the opening for housing installation.



COVER CAP TO DEVICE CONNECTOR

Install device connector before attaching the cover cap.

Pull the rubber strap over the collar of the device connector.



WARNING: The rubber strap is not suitable as sealing!

i Proceed in the same way for 2 and 3-pole connectors. Observe the pole configuration.

NOTE: Please note that electrical connections and installations must be carried out only by appropriately trained specialists.

The Assembly instructions accompanying the product must be observed! The relevant Assembly instruction BA001157 can be found online in the download area of the product concerned: eshop.wieland-electric.com

RST® MINI TECHNICAL DATA

	RST16i2/i3	RST16i4/i5
Rated voltage	250/400 V	250/400 V
Rated current	16 A	16 A
Number of poles	2- or 3-pole	4- or 5-pole
Connectable cable diameter*	5.0 - 9.5 mm, 7.1 - 13 mm	7.1 - 13 mm, 10 - 14.5 mm
Connector temperature range	- 40 °C to 100 °C	
Material	Contact parts: Brass, surface-treated Housing parts: Polyamide, halogen-free, V2 Sealing material: NBR	
Pollution degree	3 (when connected)	
Protection rating	IP66/68 (3m; 2h)/69	
IK code	IK07 (2 joules)	
Mating cycles	according to IEC 61535 100x without load and 50x under nominal load (cos phi = 0.6)	
Certificates / approvals	VDE (IEC 61535), UL (UL 2238)**, CSA (C22.2 No.182.1 / C22.2 No.182.3), RINA, LR, DNV/GL, BV	

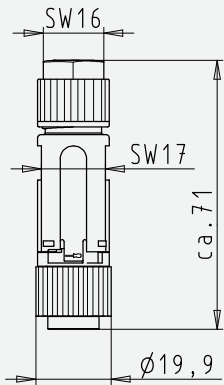
*Other diameters on request

**The light gray coding is excluded from this

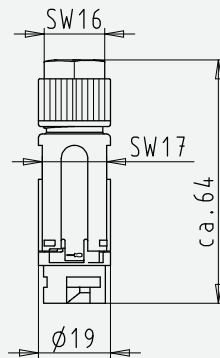
RST[®] MINI DIMENSIONS

RST16i2/13

CONNECTOR
female

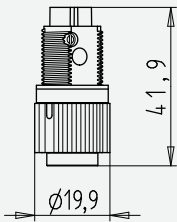
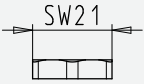


male

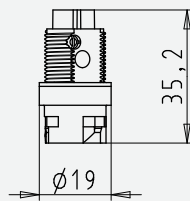
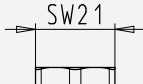


DEVICE CONNECTOR

female

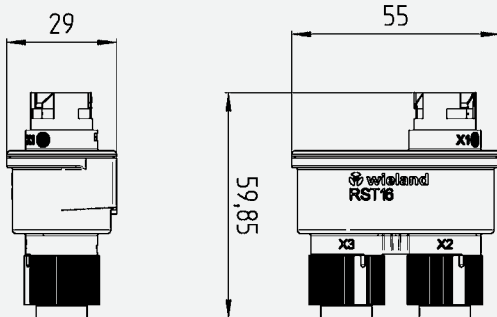


male



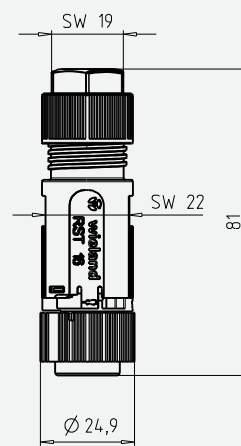
DISTRIBUTOR

1E/2A

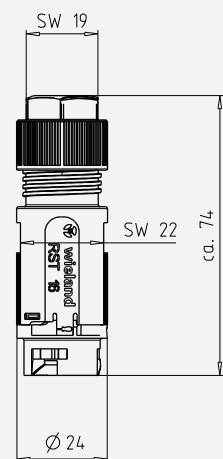


RST16i4/15

CONNECTOR
female

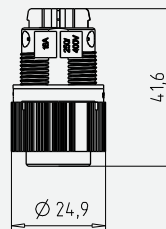
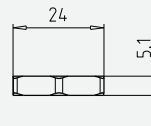


male

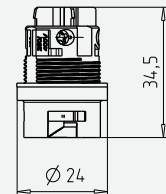
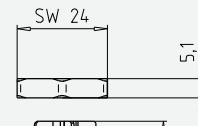


DEVICE CONNECTOR

female

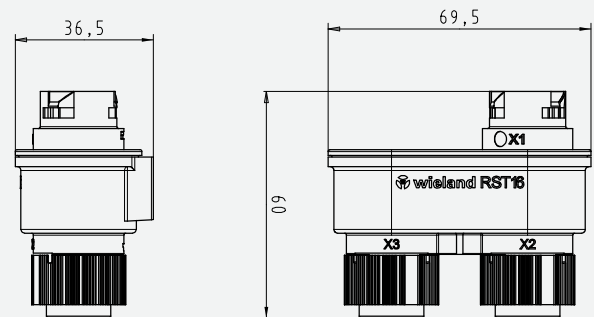


male



DISTRIBUTOR

1E/2A



NOTE: The drawing for your product can be found in the Download area of the relevant Art.No. at eshop.wieland-electric.com

RST® MINI CABLE PREPARATION

Connectable wires according to IEC

Screw connection (Connector and Device connector)

	Solid	Fine wired, no ferrules ¹⁾	Fine wired, with ferrules
RST16i2/i3	0.2 - 2.5 mm ²	0.25 - 2.5 mm ²	0.25 - 1.5 mm ²
RST16i4/i5	0.2 - 2.5 mm ²	0.25 - 2.5 mm ²	0.25 - 1.5 mm ²

1) The RST® range of screw terminal connectors is suitable for connecting unprepared cables to EN 60999-1

Spring clamp connection MOLA (only Device connector)

	Solid	Fine wired, ultrasonically welded	Fine wired, with ferrules
Connecting channel A (large)	1.0 - 2.5 mm ²	1.0 - 2.5 mm ²	1.0 - 1.5 mm ²
Connecting channel B (small)	0.5 - 1.0 mm ²	0.75 - 1.0 mm ²	0.5 mm ²

Connectable wires according to UL

Screw connection (Connector and Device connector)

	Solid	Multi stranded, no ferrules	Multi stranded, with ferrules	Multi stranded, ultrasonically welded
RST16i2/i3	AWG 24 - 14	AWG 24 - 14	AWG 24 - 16	AWG 18 - 14
RST16i4/i5	AWG 22 - 14	AWG 22 - 14	AWG 22 - 20	AWG 18 - 14

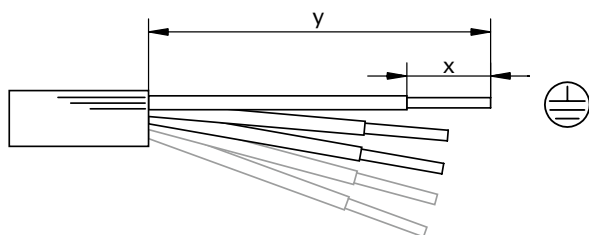
Spring clamp connection MOLA (only Device connector)

	Solid	Multi stranded, ultrasonically welded	Multi stranded, with ferrules
Connecting channel A (large)	AWG 18 - 14	AWG 18 - 14	AWG 18 - 16
Connecting channel B (small)	AWG 18	AWG 18	AWG 18

Stripping and stripping lengths

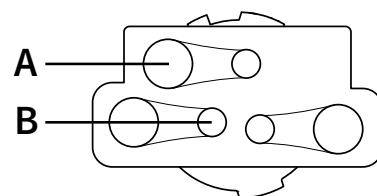
Screw connection (Connector and Device connector)

Conductor	PE	N, L, 1, 2, 3
Sheath strip length y	30	25
Wire strip length x	8	8



Spring clamp connection MOLA (only Device connector)

Connection channel	
A (large)	10±0,5mm
B (small)	8.5±0.5 mm



RST[®] MINI MATERIAL RESISTANCE

Medium	Connectors, Device Connectors & Distributors
Alcohols	✓
Ammonium chloride (Salmjak)	✓
Ammonium sulfate 10 %	✓
Citric acid, aqueous, 10%	✓
Fruit juices, fruit acids	✓
Glycerin	✓
Potassium chloride	✓
Common salt, (sodium chloride) aqueous, 10%	✓
Nickel chloride (II) saturated	✓
Mercury pure	✓
Sulfur hexafluoride	✓
Water (sea water, salt water)	✓

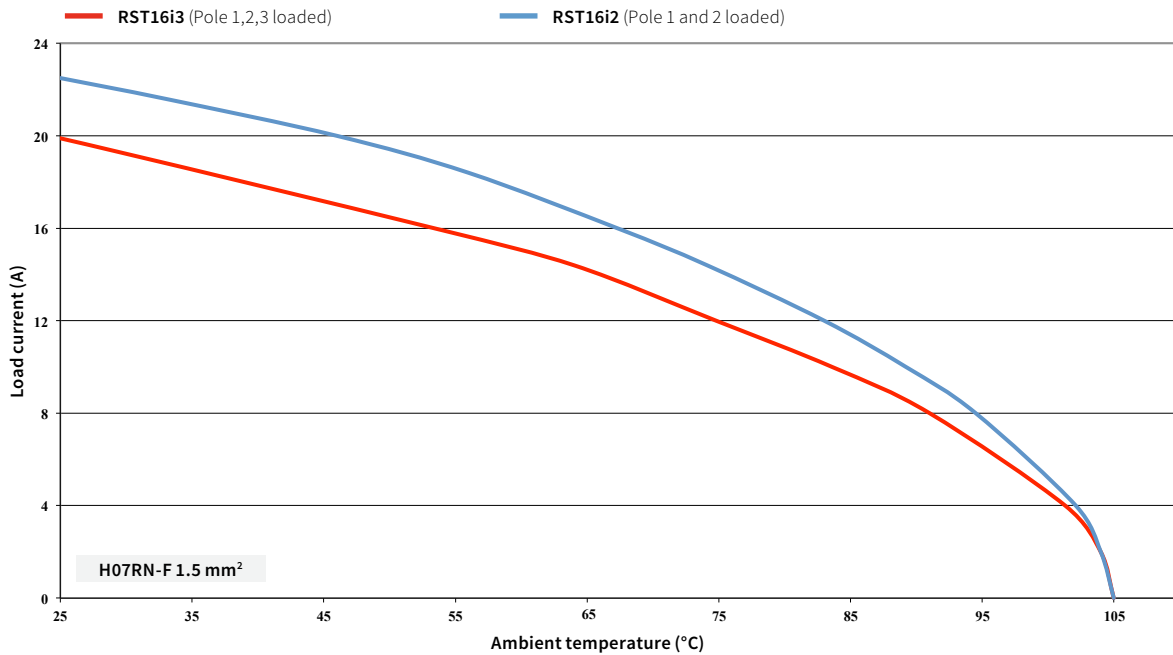
We use the thermoplastic material polyamide for our products. The table above shows an extract of substances and the resistance of polyamide at room temperature approx. 20 °C. Contact our customer service to have the material resistance to the substances confirmed or if you have other substances in use that are not included in this list.



RST[®] MINI DERATING CURVES

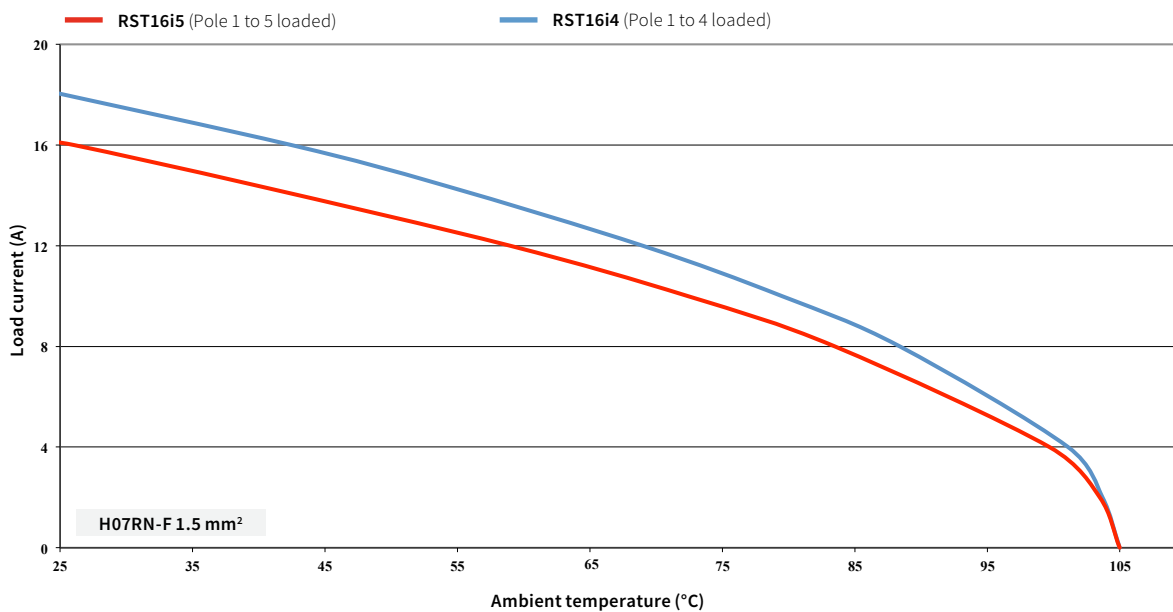
RST16i2/RST16i3

Derating curve to DIN EN 60512-2, Date: 2003-1



RST16i4/RST16i5

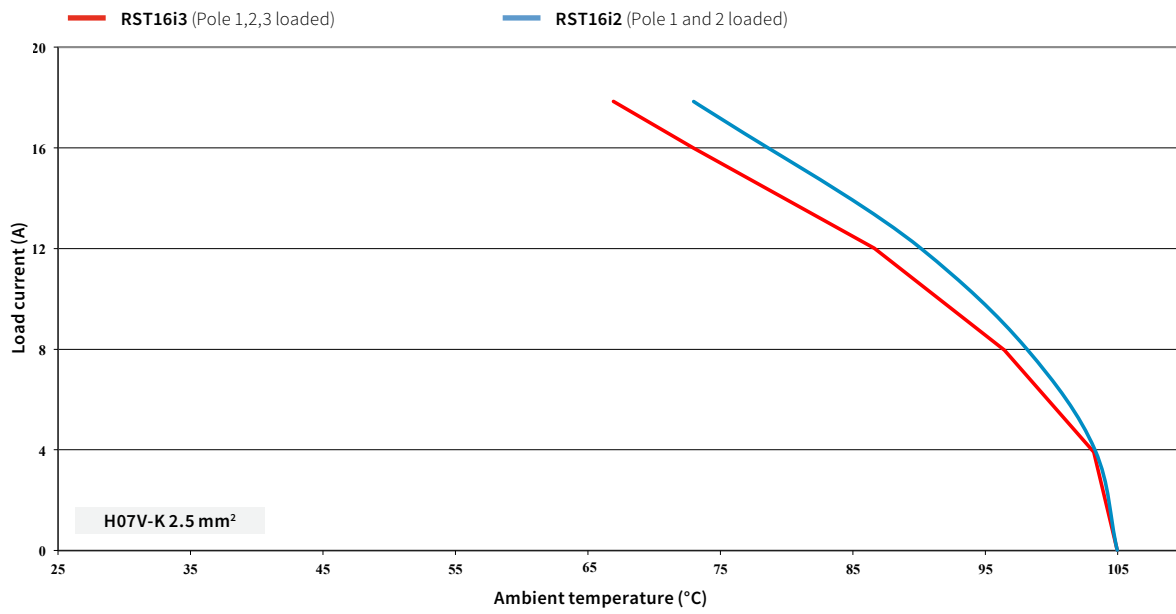
Derating curve to DIN EN 60512-2, Date: 2003-1



RST[®] MINI DERATING CURVES

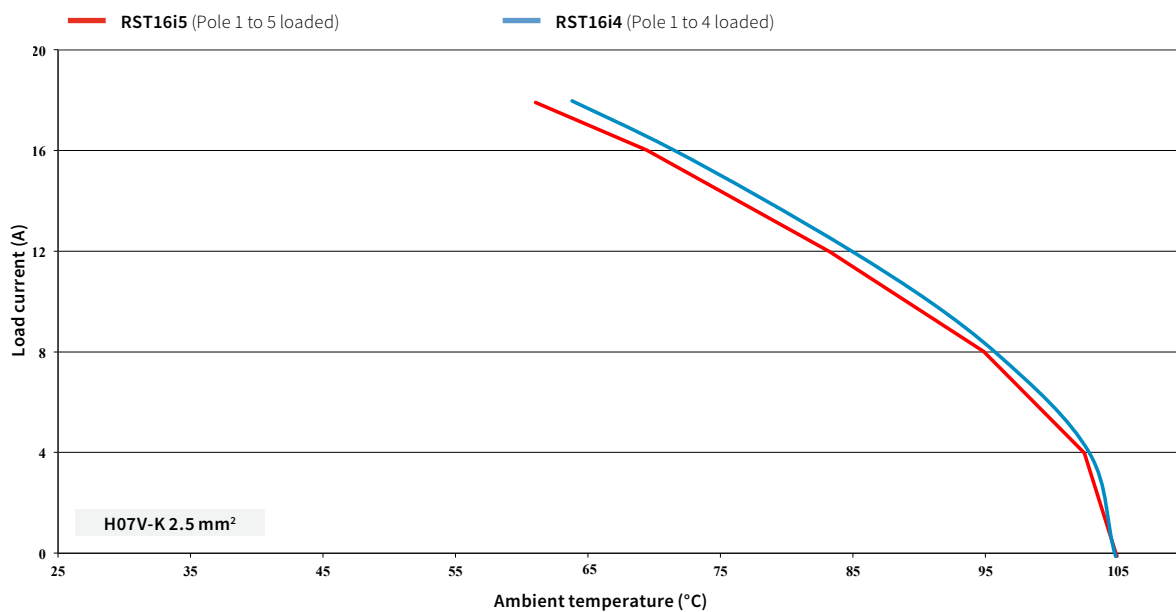
RST16i2/RST16i3

Derating curve to DIN EN 60512-2, Date: 2003-1



RST16i4/RST16i5

Derating curve to DIN EN 60512-2, Date: 2003-1

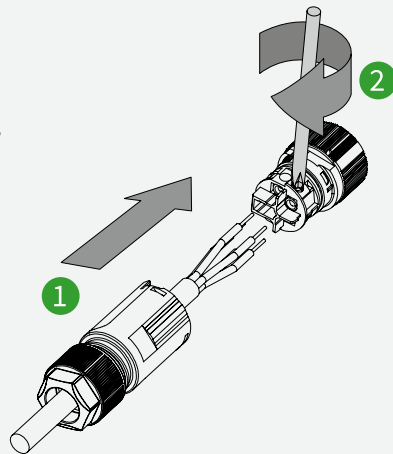


RST® MINI ASSEMBLY INSTRUCTION

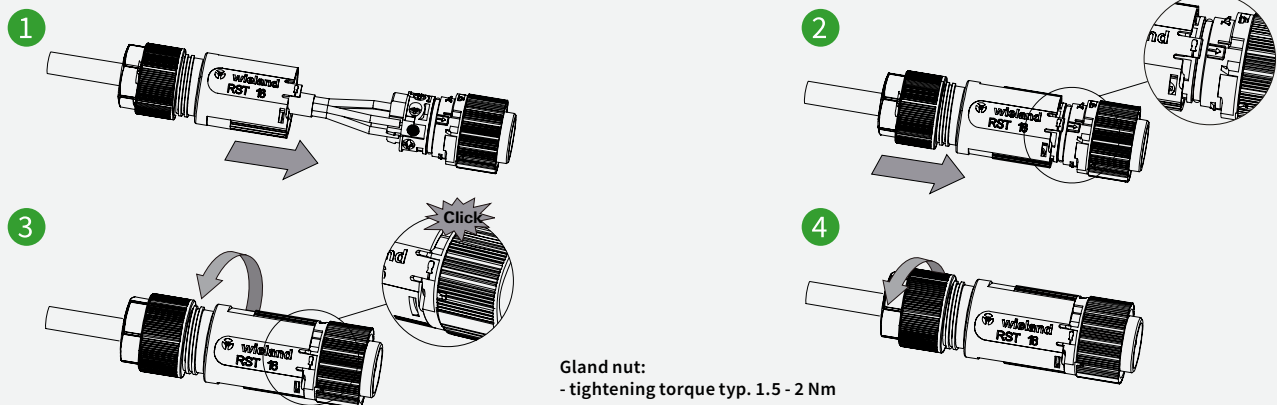
CABLE ASSEMBLY

Screw connection:

- Blade DIN 5264 A, ground
- Drive PZ1
- Tightening torque: 2-, 3-pole: 0.4 Nm 4-, 5-pole: 0.5 Nm



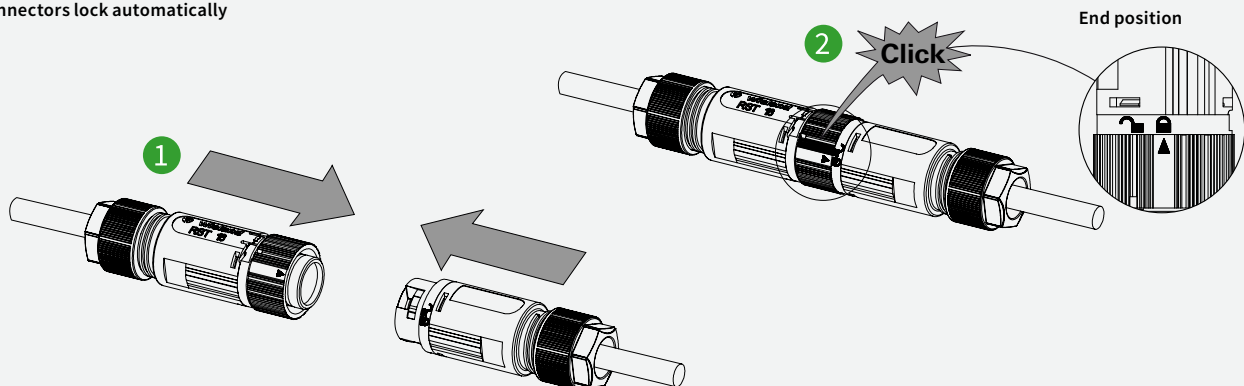
CLOSING THE CONNECTOR



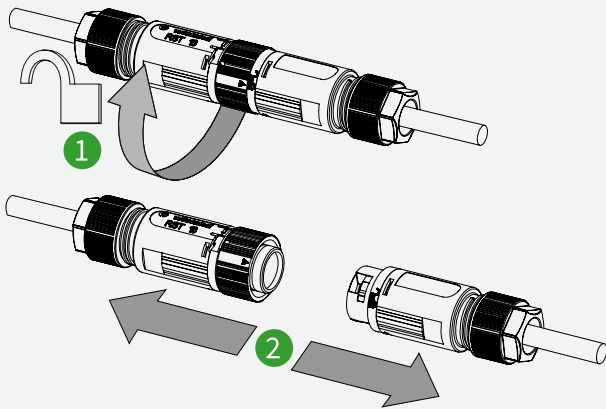
Gland nut:
- tightening torque typ. 1.5 - 2 Nm

INSERT AND LOCK

Connectors lock automatically

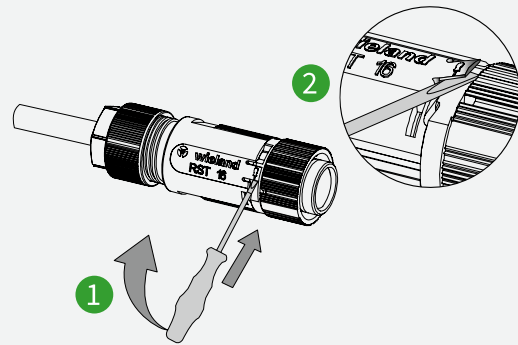


UNLOCK AND DISCONNECT



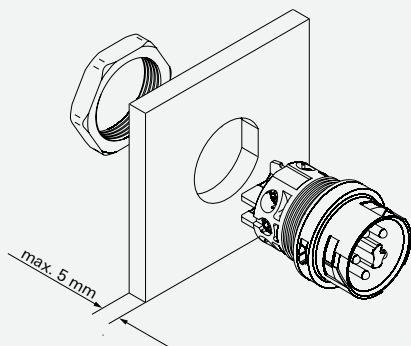
OPENING THE CONNECTOR

Screwdriver: Blade DIN 5264 A, ground

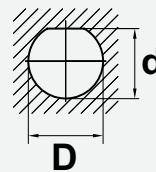


HOUSING INSTALLATION

Nut: Tightening torque typ. 1.5 Nm



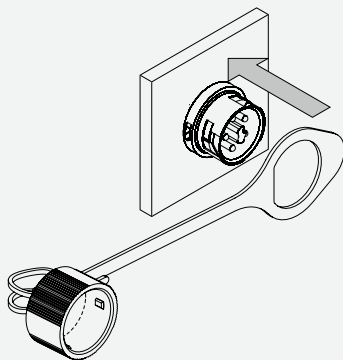
Dimension drawing of the opening for housing installation.



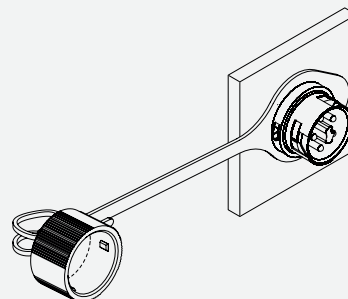
	D (mm)	d (mm)
2-, 3-pole	16.2 ^{+0.1}	14.6 ^{+0.1}
4-, 5-pole	20.4 ^{+0.1}	19.4 ^{+0.1}

COVER CAP TO DEVICE CONNECTOR

Install device connector before attaching the cover cap.



Pull the rubber strap over the collar of the device connector.



WARNING: The rubber strap is not suitable as sealing!

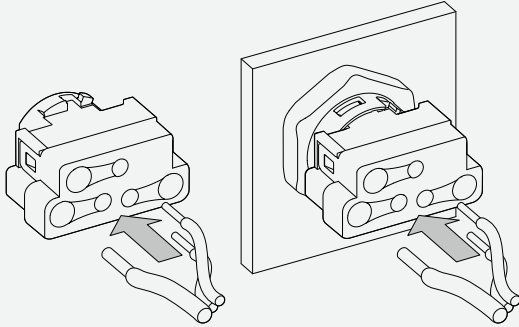
i Proceed in the same way for 2 to 5-pole connectors. Observe the pole configuration.

NOTE: Please note that electrical connections and installations must be carried out only by appropriately trained specialists. The Assembly instructions accompanying the product must be observed! The relevant Assembly instruction BA000960 can be found online in the download area of the product concerned: eshop.wieland-electric.com

RST[®] MOLA ASSEMBLY INSTRUCTION

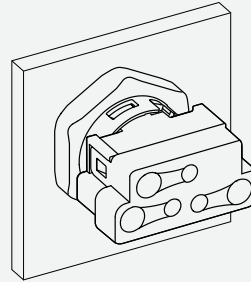
WIRING INNER ADAPTER

The inner adapter can be wired up before or after the housing installation.



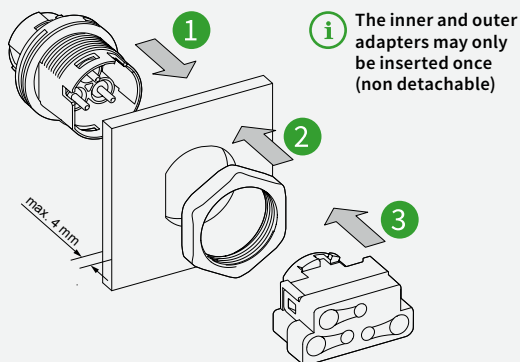
ORIENTATION INNER ADAPTER

Recommended orientation
(View from inside)

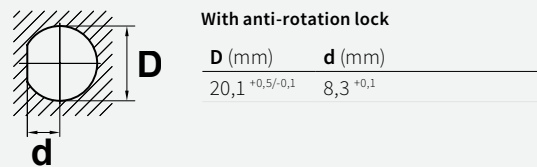
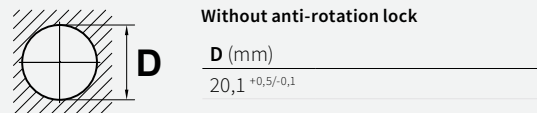


HOUSING INSTALLATION

Nut: Tightening torque typ. 1.5 - 2 Nm

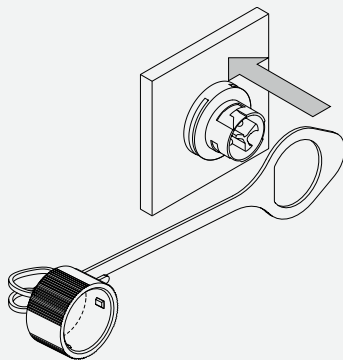


Dimension drawing of the opening for housing installation.

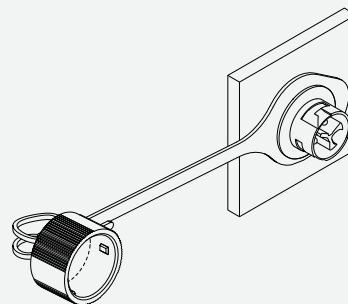


COVER CAP TO DEVICE CONNECTOR

Install device connector before attaching the cover cap.



Insert the eyelet of the anti-loss device over the device connection collar, preferably into the circumferential groove of the outer adapter.



WARNING: The rubber strap is not suitable as sealing!

i Proceed in the same way for 2 to 5-pole connectors. Observe the pole configuration.

NOTE: Please note that electrical connections and installations must be carried out only by appropriately trained specialists.

The Assembly instructions accompanying the product must be observed! The relevant Assembly instruction BA001238 can be found online in the download area of the product concerned: eshop.wieland-electric.com



RST® CLASSIC TECHNICAL DATA

	RST20i2/i3	RST20i4/i5	RST20i6/i7	RST25i3	RST25i5
Rated voltage	250/400 V	250/400 V	250/400 V	250 V	250/400 V
Rated current to IEC 61535:	20 A	20 A		25 A	25 A
Different currents			2,5 mm ² : 3x 20 A + 4x 5 A 1,5 mm ² 3x 16 A + 4x 4 A (no pole specification)		
Same currents			2,5 mm ² : 7x 15 A 1,5 mm ² : 7x 12 A		
Rated current to IEC 61984:				32 A (bei 6,0mm ²)	32 A (bei 6,0mm ²)
Number of poles	2- or 3-pole	4- or 5-pole	6- or 7-pole	3-pole	5-pole
Connectable cable diameter*	6.0 - 10.0 mm; 8.0 - 12.0 mm; 10.0 - 14.0 mm; 13.0 - 18.0 mm				
Temperature range:	Connector - 40 °C to 100 °C Cable H05VV max 70 °C, H07RN-F max. 60 °C, H07 RN-F enhanced 90 °C				
Material	Contact parts: Brass, surface-treated housing parts: Polyamide, halogen-free, V2 Sealing material: NBR				
Pollution degree	3 (when connected)				
Protection rating	IP66/68 (3m; 2h) / 69, barrier seal for RST20i6/7 optional Cable assembly as a shrink hose variant IP66/ 68 (3m; 2h) The installation instructions must be followed (refer also to the White Paper "Electrical installation for outdoor areas" Order No. 0693.1)				
IK code	IK 07 (2 joules)				
Glow-wire test	RST20i2-i5/RST25i3/i5: at 850 °C, 30 s RST20i6/i7: at 960 °C, 30 s for connectors, distributors, cable assemblies and device connectors				
Mating cycles	100 x without load and 50 x under nominal load (cos Φ = 0.6) to IEC 61535 Up to 5,000 mating cycles for RST20i2/3 / RST25i3 and 3,000 mating cycles for RST20i4/5 / RST25i5 are possible without load. After approx. 600 mating cycles, the seal should however be tested and re-greased with a suitable lubricant (e.g. Berulub FR 43 UV) if required.				
Certificates / approvals	VDE cULus** TÜV Rheinland LR GL / DNV RINA BV CSA*** UL	VDE cULus** TÜV Rheinland LR GL / DNV RINA BV CSA*** UL	VDE cULus	VDE cULus RINA CSA	VDE cULus RINA CSA
Directives	IEC 61535 IEC 61984 IEC 60999 VDE 0110 UL2238 CSA: C22.2 No.182.2-M1987 LR Type Approval System 2 PFG 1915	IEC 61535 IEC 61984 IEC 60999 VDE 0110 UL2238 CSA: C22.2 No.182.2-M1987 LR Type Approval System 2 PFG 1915	IEC 61535 IEC 61984 IEC 60999 VDE 0110 UL2238	IEC 61535 IEC 61984 IEC 60999 VDE 0110 UL2238 CSA: C22.2 No.182.2-M1987	IEC 61535 IEC 61984 IEC 60999 VDE 0110 UL2238 CSA: C22.2 No.182.2-M1987

*Other diameters on request

**Light gray coding in general and assembled cables in heat shrink technology are excluded from this

***Without assembled cables in heat shrink technology

RST® CLASSIC TECHNICAL DATA

ATEX VARIANTS

	RST20i2/i3	RST20i4/i5
Rated voltage	250/400 V	250/400 V
Rated current	20 A*	20 A*
Number of poles	2- or 3-pole	4- or 5-pole
Connectable cable diameter	6.0 - 10.0 mm; 10.0 - 14.0 mm**	
Device group	II	
Category	3	
Temperature class	T6: 85 °C	
Permissible ambient temperature	- 20 °C to + 40 °C***	
Certificates / approvals	IECEX SEV 15.0024 X; SEV 07ATEX0110X	
Classification	Connectors and device connections: CE1258 Ex II 3G Ex ec IIC T6 Gc CE1258 Ex II 3D Ex tc IIIC T85 °C Dc With assembled cable H05VV-F: CE1258 Ex II 3G Ex ec IIC T6 Gc CE1258 Ex II 3D Ex tc IIIC T70 °C Dc With assembled cable H07RN-F: CE1258 Ex II 3G Ex ec IIC T6 Gc CE1258 Ex II 3D Ex tc IIIC T60 °C Dc"	

Please note the reduction of current carrying capacity in the following cases.

- when using H07RN-F cables:
 2-/3-pole 1.5 mm² - max 14.5 A 2.5 mm² - max 17.5 A
 4-/5-pole 1.5 mm² - max 12.5 A 2.5 mm² - max 17.0 A

- when using the double connection:
 2 - 5-pole 1.5 mm² max. 16A

- when using the distribution blocks:
 2-/3-pole when using a conductor cross-section of 2.5 mm² to max 17.5 A

**Other diameters on request

***Extended range of application for subsequent connectors and device terminals with screw connection of types RST20i2/i3 & RST20i4/i5:
 Both the 2-/3-pole and the 4-/5-pole systems can be used, at an ambient temperature of +70 °C and using a conductor cross-section of 2.5 mm² with a load current of max 9.4 A for 2-/3-pole and 9.7 A for 4-/5-pole.



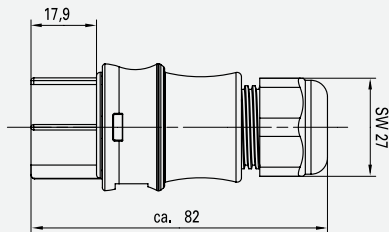
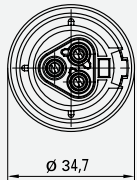
NOTE: For the use of the ATEX products, please refer to the further information of the certificate of conformity and assembly instructions. Both documents can be viewed in the download area of the relevant Art.No. of the product at eshop.wieland-electric.com.

RST® CLASSIC DIMENSIONS

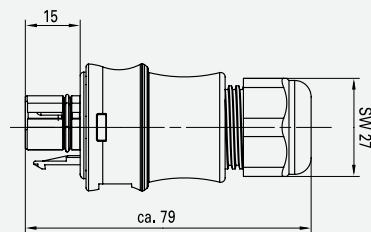
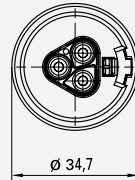
RST20i2 - i7

CONNECTORS

female

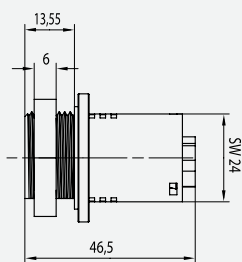
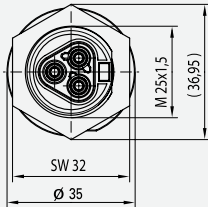


male

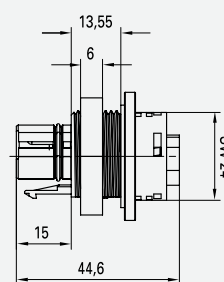
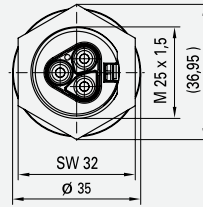


DEVICE CONNECTOR

female

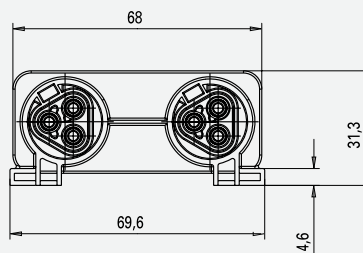
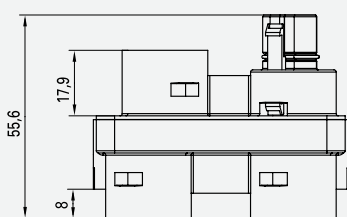


male



DISTRIBUTORS

1E / 3A



NOTE: Example illustration based on RSTi3 version.

The drawing for your product can be found in the download area of the relevant Art.No. at eshop.wieland-electric.com


RST® CLASSIC CABLE PREPARATION

Connectable conductor cross-sections Standard variants

RST20i2/i3/25i3	Solid	Fine-stranded, no cable end sleeve	Fine-stranded, with cable end sleeve	Multi-stranded	Fine-stranded, ultrason. welded
Screw connection	0.75 - 6 mm ² / AWG 16 - 10	0.75 - 6 mm ²	0.75 - 4 mm ²	0.75 - 6 mm ² / AWG 16 - 10	-
Crimp connection ¹⁾	-	0.75 - 4.0 mm ²	-	AWG 16 - 10	-
Spring force	0.5 - 2.5 mm ² / AWG 20 - 14	-	0.5 - 1.5 mm ² / AWG 20 - 16	0.75 - 1.5 mm ² / AWG 20 - 16	0.75 - 2.5 mm ²

RST20i4/i5/25i5	Solid	Fine-stranded, no cable end sleeve	Fine-stranded, with cable end sleeve	Multi-stranded
Screw connection	0.75 - 4 mm ² / AWG 18 - 12	0.75 - 4 mm ²	0.75 - 2.5 mm ²	0.75 - 4 mm ² / AWG 18 - 12
Crimp connection ¹⁾	-	0.75 - 4 mm ²	-	AWG 18 - 12

RST20i6/i7	Solid	Fine-stranded, no cable end sleeve ²⁾	Fine-stranded, with cable end sleeve	Multi-stranded
Screw connection	Connectors 0.2 - 1.5 mm ² Device connector 0.2 - 2.5 mm ²	0.2 - 2.5 mm ²	0.2 - 1.5 mm ²	0.2 - 2.5 mm ² / AWG 20 - 14
Crimp connection ¹⁾	-	0.2 - 2.5 mm ²	-	-

 RST® terminals with screw clamping allow the connection of conductors without special preparation according to EN 60999-1.

1) Crimp contacts must always be ordered separately to the connector. The range of crimp contacts can be found in RST® CLASSIC accessories.

RST20i7/i6:

2) Restriction of the connection section range for fine-stranded cables, when using connectors with the following strain reliefs.

- Double connection: 0.2 - 0.75 mm²

- straight, for cables Ø 6 - 10 mm and Ø 10 - 14 mm: 0.2 - 1.5 mm²

For spring forces, please use the following cable end sleeves. These can be found in RST® CLASSIC accessories.

Conductor cross-section	Ferrule
0.5 mm ²	DIN 46228-E0.5-10
0.75 mm ² / AWG 20	DIN 46228-E0.75 -12
1 mm ² / AWG 18	DIN 46228-E1.0 -12
1.5 mm ² / AWG 16	DIN 46228-E1.5 -12

Maximum conductor cross-section when using two flexible conductors on one clamping point for the connector variant double connection with screw connection (ATEX parts excluded):

Number of poles	max. cross-section
2	2.5 mm ²
3	2.5 mm ²
4	1.5 mm ²
5	1.5 mm ²
6	0.75 mm ²
7	0.75 mm ²

Connectable conductor cross-sections ATEX variants

RST20i2/i3	Solid	Fine-stranded, no cable end sleeve	Fine-stranded, with cable end sleeve	Fine-stranded, ultrason. welded
Screw connection	1.5 - 4 mm ²	1.5 - 4 mm ²	1.5 - 2.5 mm ²	-
Spring force	1.5 - 2,5 mm ²	-	1.5 mm ²	1,5 - 2,5 mm ²

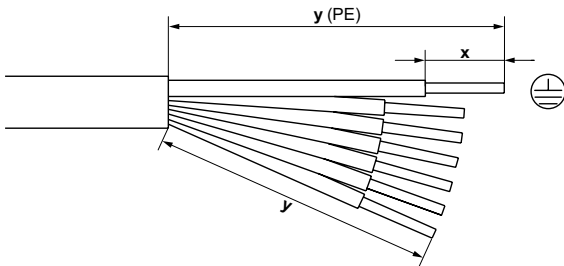
RST20i4/i5	Solid	Fine-stranded, no cable end sleeve	Fine-stranded, with cable end sleeve
Screw connection	1.5 - 2.5 mm ²	1.5 - 2.5 mm ²	1.5 - 2.5 mm ²



RST® CLASSIC CABLE PREPARATION

Sheath strip and wire strip lengths

RST20i2/i3/25i3		straight Ø 6 - 10 mm, Ø 8 - 12 mm, Ø 10 - 14 mm		straight Ø 13 - 18 mm		square Ø 6 - 10 mm, Ø 8 - 12 mm, Ø 10 - 14 mm		splitter connector Ø 6 - 10 mm, Ø 8 - 12 mm, Ø 10 - 14 mm		
Conductor	x	y (PE)	y	y (PE)	y	y (PE)	y	2-pole y	3-pole y (PE)	y
Screw connection	8 mm	31.5 mm	26.5 mm	42 mm	37 mm	31.5 mm	26.5 mm	42 mm	45.5 mm	40.5 mm
Spring connection										
solid	14 mm	40 mm	35 mm	-	-	40 mm	35 mm	-	55 mm	50 mm
fine stranded with AE	13 mm									
Crimp connection	8 mm	42 mm	37 mm	57 mm	52 mm	42 mm	37 mm	-	-	-
RST20i4/i5/25i5		straight Ø 6 - 10 mm, Ø 10 - 14 mm		straight Ø 13 - 18 mm		square Ø 6 - 10 mm, Ø 10 - 14 mm		splitter connector Ø 6 - 10 mm, Ø 13 - 18 mm		
Conductor	x	y (PE)	y	y (PE)	y	y (PE)	y	y (PE)	y	
Screw connection	8 mm	31.5 mm	26.5 mm	42 mm	37 mm	31.5 mm	26.5 mm	45.5 mm	40.5 mm	
Crimp connection	8 mm	42 mm	37 mm	49 mm	44 mm	42 mm	37 mm	-	-	
RST20i6/i7		straight Ø 6 - 10 mm, Ø 10 - 14 mm		straight Ø 13 - 18 mm		square Ø 6 - 10 mm, Ø 10 - 14 mm		splitter connector Ø 6 - 10 mm, Ø 13 - 18 mm		
Conductor	x	y (PE)	y	y (PE)	y	y (PE)	y	y (PE)	y	
Screw connection	8 mm	30 mm	25 mm	42 mm	37 mm	30 mm	25 mm	45 mm	40 mm	
Crimp connection	7 mm	37 mm	32 mm	44 mm	39 mm	37 mm	32 mm	-	-	



RST® CLASSIC MATERIAL RESISTANCE

Medium	Plug connectors, device connectors & distributors
Alcohols	✓
Ammoniumchlorid (Salmjak)	✓
Ammonium sulfate 10 %	✓
Citric acid, aqueous, 10%	✓
Fruit juices, fruit acids	✓
Glycerin	✓
Potassium chloride	✓
Common salt, (sodium chloride) aqueous, 10%	✓
Nickel chloride (II) saturated	✓
Mercury pure	✓
Sulfur hexafluoride	✓
Water (sea water, salt water)	✓

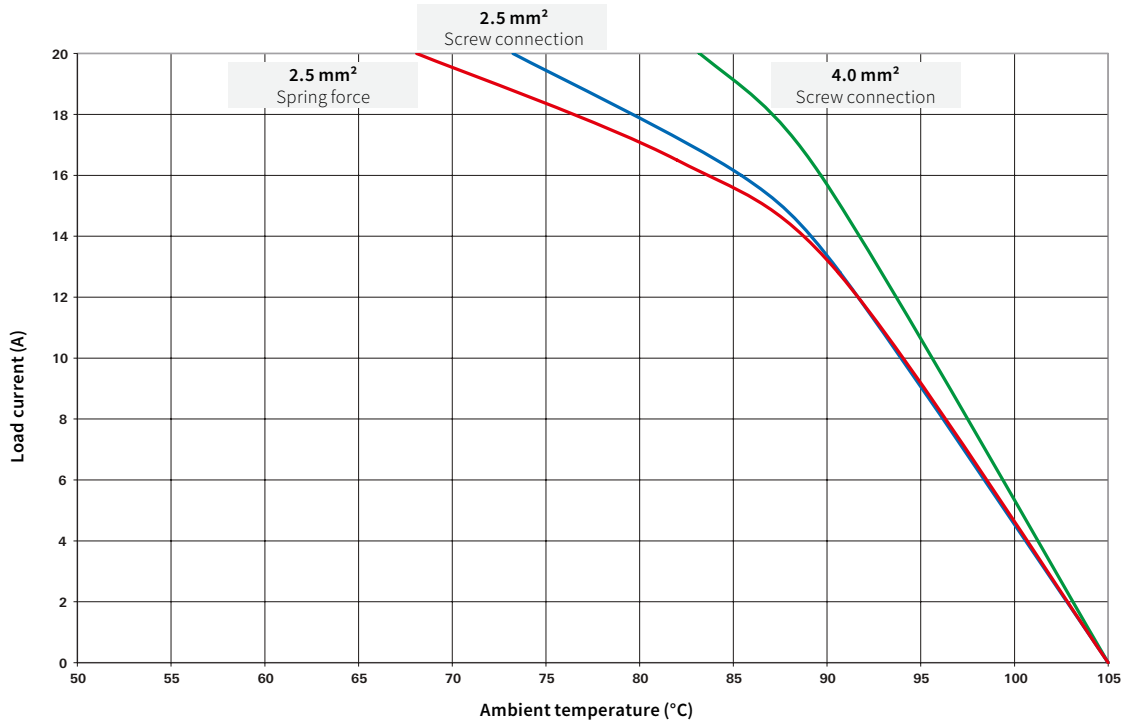
We use the thermoplastic material polyamide for our products. The table above shows an extract of substances and the resistance of polyamide at room temperature approx. 20 °C. Contact our customer service to have the material resistance to the substances confirmed or if you have other substances in use that are not included in this list.



RST[®] CLASSIC DERATING CURVES

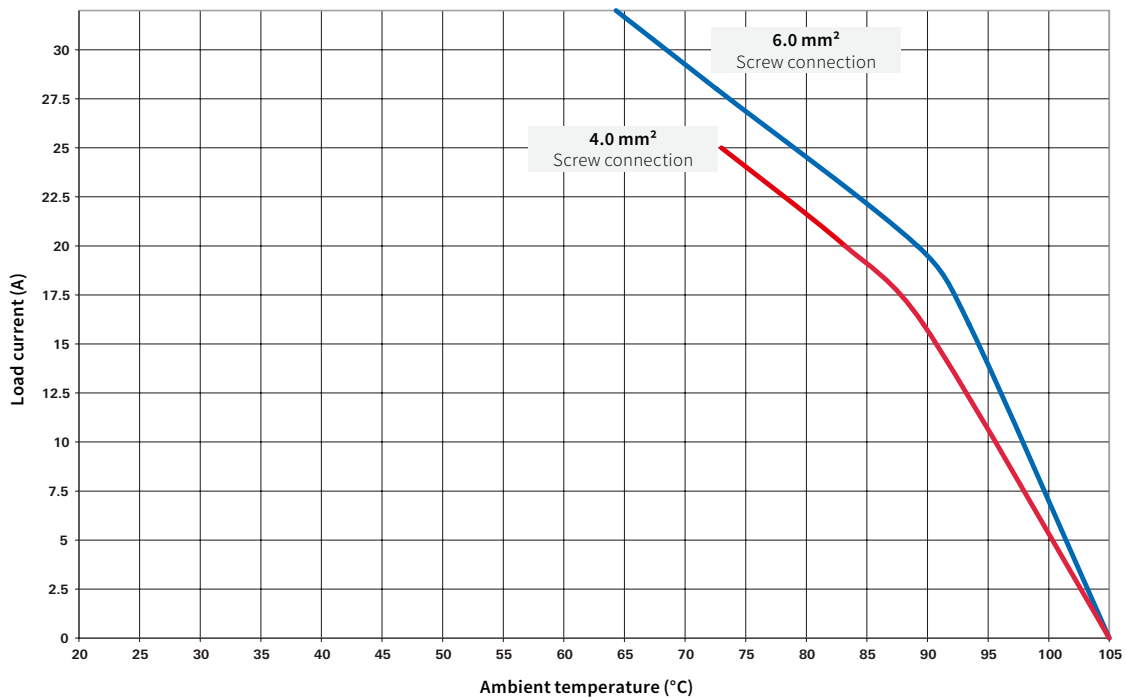
RST20i3 (Screw connection - spring force)

Derating curve to IEC 61984 Edition 2 dated 10/2008 Sec. 7.3.8



RST25i3 (screw connection)

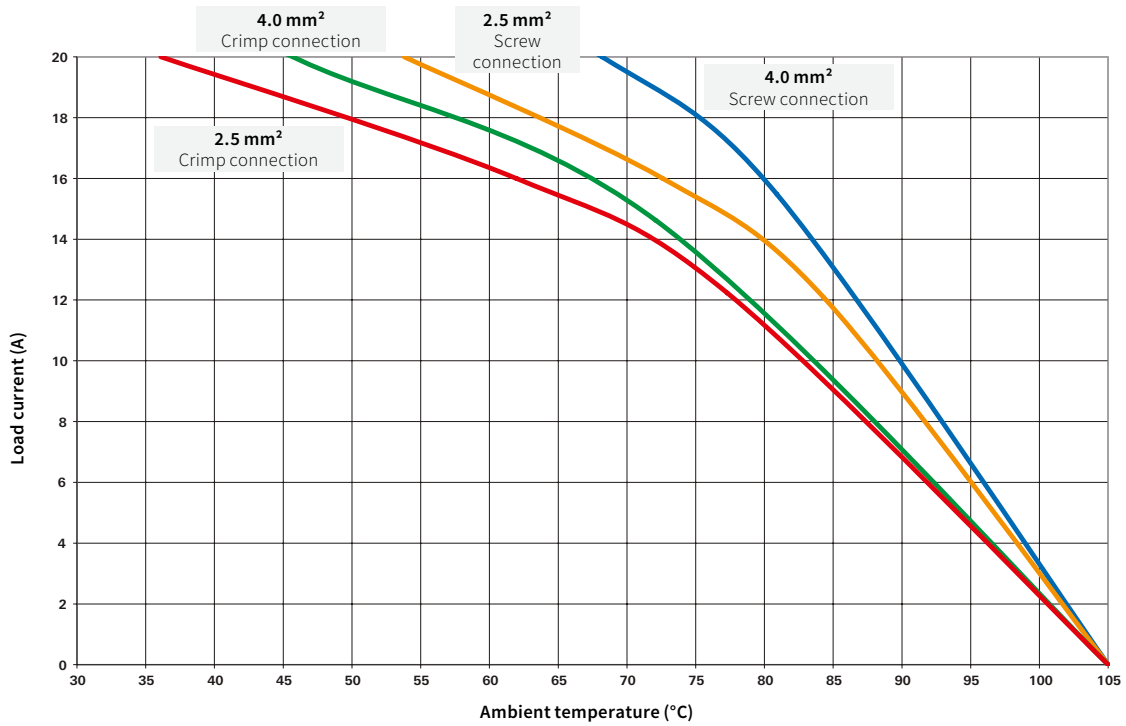
Derating curve to IEC 61984 Edition 2 dated 10/2008 Sec. 7.3.8



RST[®] CLASSIC DERATING CURVES

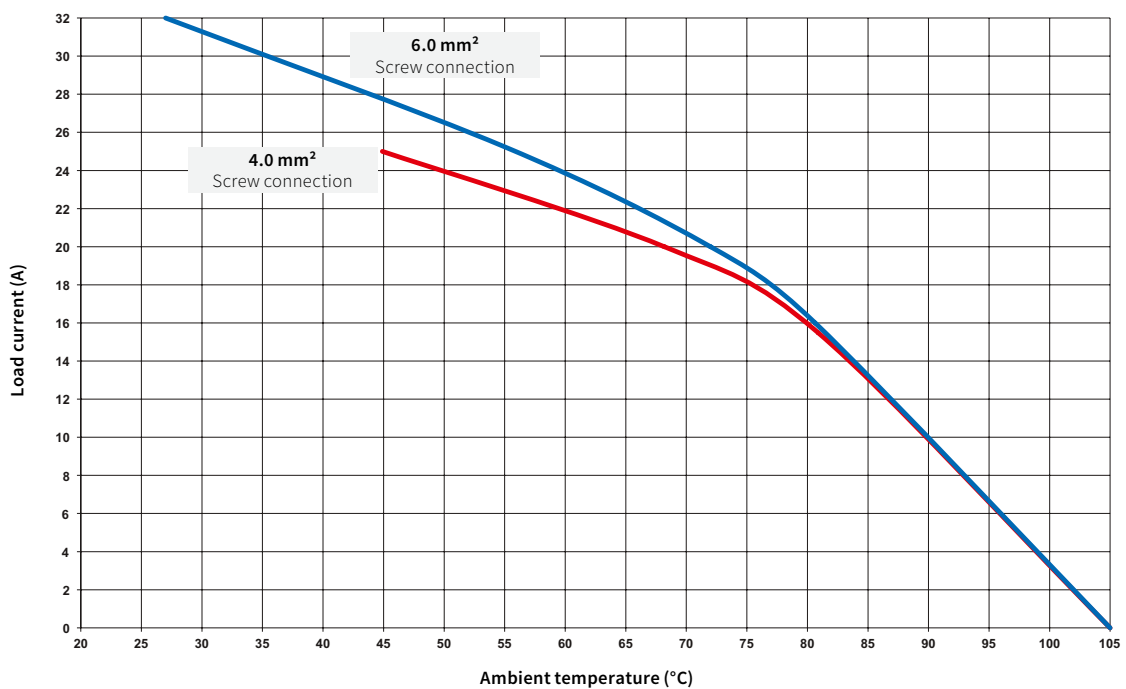
RST20i5 (screw connection – crimp connection)

Derating curve to IEC 61984 Edition 2 dated 10/2008 Sec. 7.3.8



RST25i5 (screw connection)

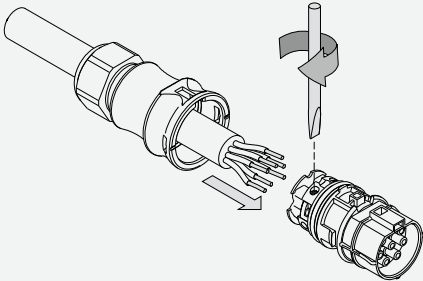
Derating curve to IEC 61984 Edition 2 dated 10/2008 Sec. 7.3.8



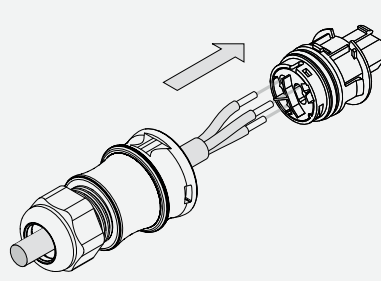
RST® CLASSIC ASSEMBLY INSTRUCTION

CABLE ASSEMBLY

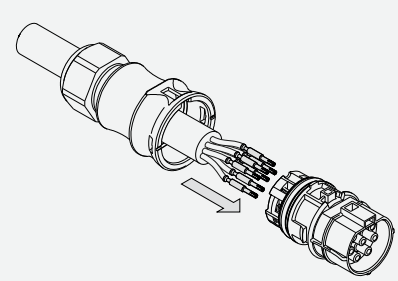
Screw connection



Spring force

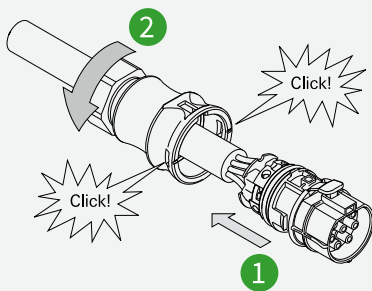


Crimp connection



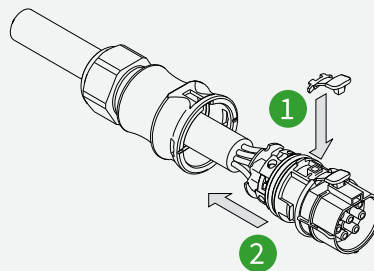
Number of poles	Torque	Screwdriver
RST20i2/i3	0.8 - 1 Nm	PZ1
RST20i4/i5	0.5 - 0.7 Nm	PZ1
RST20i6/i7	Type 0.5 Nm	DIN 5264 A, deburred 0.8 × 3.0 mm or 6-Lobe SL6 ("TORX" TX6)

CLOSING THE CONNECTOR



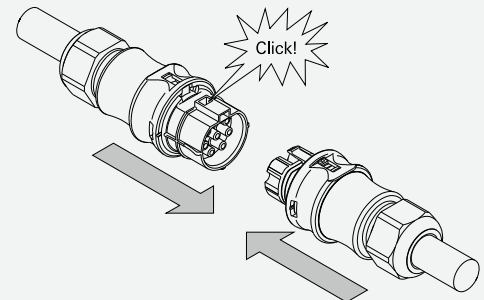
Tightening torque
typ. 4+1 Nm

OPTIONAL: USE THE MANUAL UNLOCKING FUNCTION



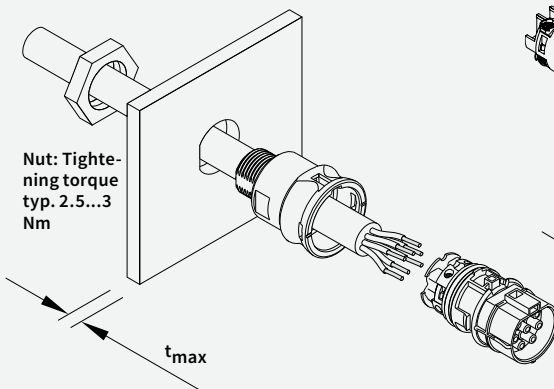
Manual
unlocking seat

INSERT AND LOCK



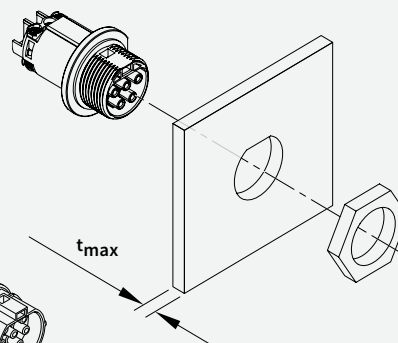
DEVICE CONNECTOR

Modular with M16, M20, M25 cable feed through

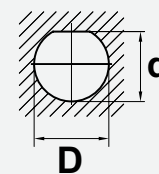


Nut: Tightening torque
typ. 2.5...3 Nm

One-piece with M25 cable feed through



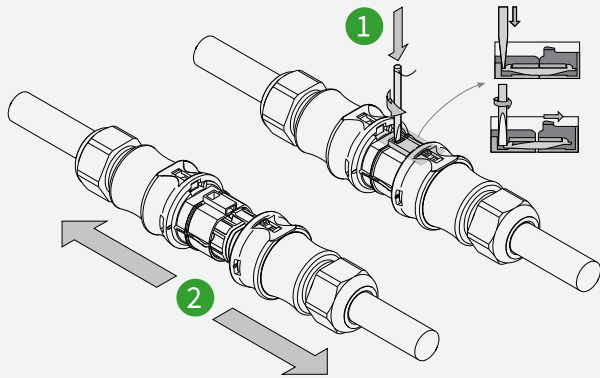
Dimension drawing of the opening for housing installation when anti-twist protection is required



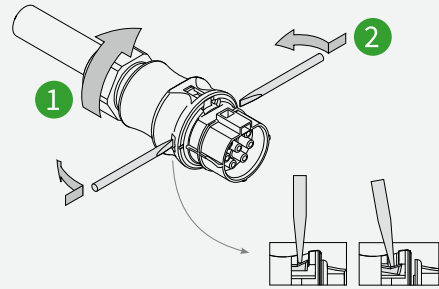
	D (mm)	d (mm)	t _{max} (mm)
M16	16.4 ^{-0.2}	15.0 ^{-0.2}	8
M20	20.4 ^{-0.2}	19.0 ^{-0.2}	8
M25	25.4 ^{-0.2}	23.9 ^{-0.2}	8
M32	32.5 ^{-0.2}	30.75 ^{-0.2}	7

RST® CLASSIC ASSEMBLY INSTRUCTION

UNLOCK AND DISCONNECT

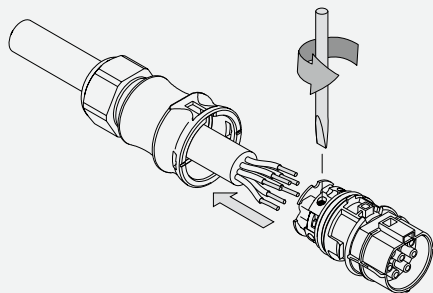


OPENING THE CONNECTOR

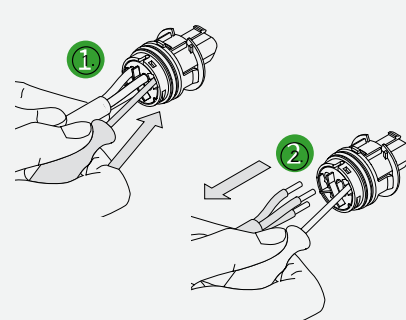


CABLE REMOVAL

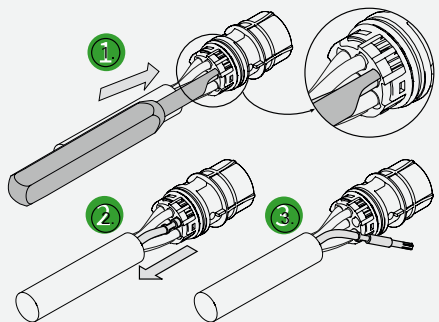
Screw connection



Spring force



Crimp connection



i Proceed in the same way for 2 to 7-pole connectors.
Observe the pole configuration.

NOTE: Please note that electrical connections and installations must be carried out only by appropriately trained specialists.
The Assembly instructions accompanying the product must be observed! The relevant Assembly instruction can be found online
in the download area of the product concerned: eshop.wieland-electric.com



RST® POWER TECHNICAL DATA

	RST50i4/i5
Rated voltage	250/400 V
Rated current	50 A
Number of poles	4 and 5-pole
Connectable cable diameter*	15 - 25 mm; 20 - 32 mm
Material	Contact parts: Brass, surface-treated housing parts: Polyamide, halogen-free, V2 Sealing material NBR, TPE
Pollution degree	3 (when connected)
Protection rating	IP66/67/69
IK code	IK07 (2 joules)
Certificates / approvals	VDE, c CSA us

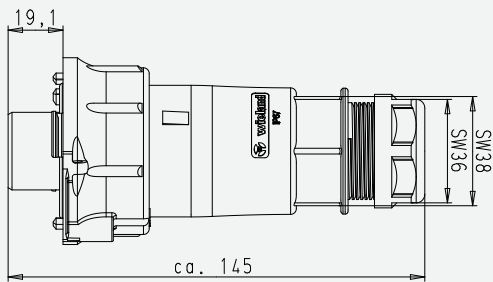
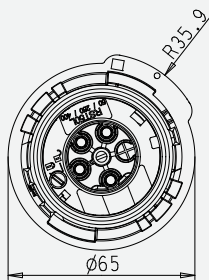
*Other diameters on request

RST® POWER DIMENSIONS

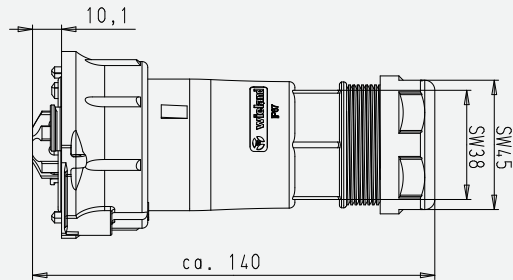
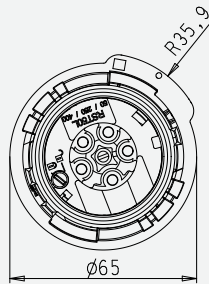
RST50i4/i5

CONNECTORS

female

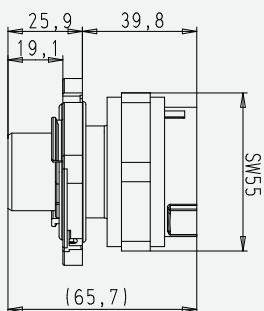
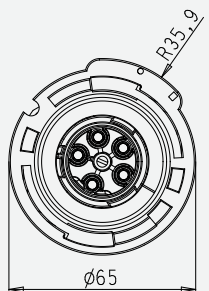


male

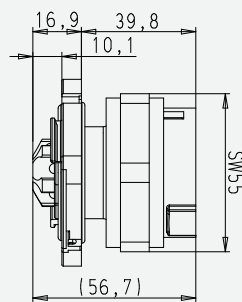
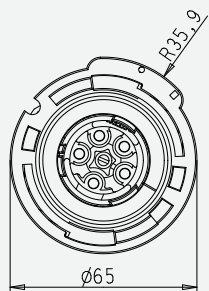


DEVICE CONNECTOR

female



male



NOTE:

The drawing for your product can be found in the download area of the relevant Art.No. at eshop.wieland-electric.com




RST® POWER CABLE PREPARATION

Connectable conductor cross-sections

Model	Solid		Fine-stranded		Multi-stranded	
	Connectors	Device connector	Connectors	Device connector	Connectors	Device connector
Screw connection	4.0 - 6.0 mm ² *	4.0 - 16.0 mm ²	4.0 - 16.0 mm ²	4.0 - 16.0 mm ²	4.0 - 6.0 mm ² *	4.0 - 16.0 mm ²
Crimp connection	-	-	4.0 - 10.0 mm ²	4.0 - 10.0 mm ²	-	-

* Solid and multi-wired conductors > 6.0 mm² cannot be connected in the existing installation space due to their stiffness.

 RST® terminals with screw clamping allow the connection of conductors without special preparation according to EN 60999-1. Crimp contacts must always be ordered separately to the connector. The range of crimp contacts can be found in RST® POWER accessories.

Sheath strip and wire strip lengths

Conductor		PE	1, 2, 3, N, PE
Sheath strip length	Screw connection	80 mm	70 mm
	Crimp connection	80 mm	70 mm
Wire strip length	Screw connection	10 mm	10 mm
	Crimp connection	11 mm	11 mm

RST® POWER MATERIAL RESISTANCE

Medium	Plug connectors & device connectors
Ammonium chloride (Salmjak)	✓
Citric acid, aqueous, 10%	✓
Common salt, (sodium chloride) aqueous, 10%	✓
Kerosene 100 %	✓
Mercury pure	✓
Sulfur hexafluoride	✓

We use the thermoplastic material polyamide for our products. The table above shows an extract of substances and the resistance of polyamide at room temperature approx. 20 °C. Contact our customer service to have the material resistance to the substances confirmed or if you have other substances in use that are not included in this list.

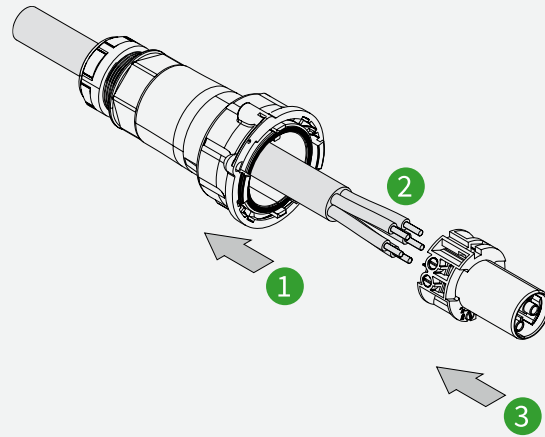


RST® POWER ASSEMBLY INSTRUCTION

CABLE ASSEMBLY

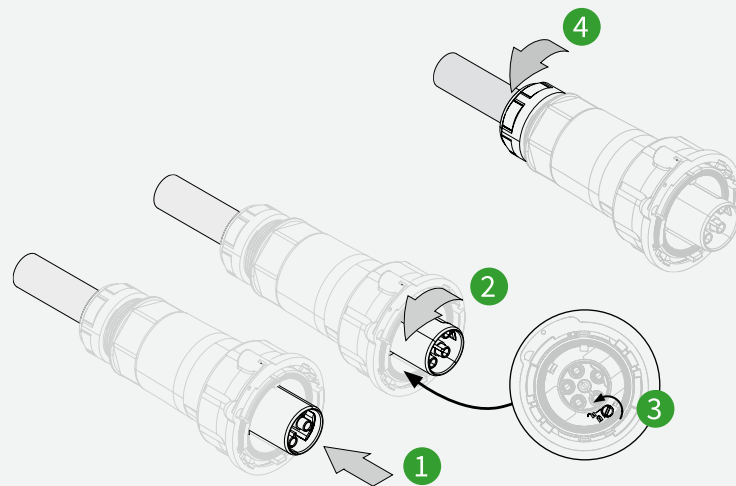
1. Pull the housing over the cable
2. Prepare cable (see technical specifications)
3. Insert prepared cable (for screw connections: tighten screws, torque 2 Nm)

Note: Make sure that the cables are firmly fixed in the connections.



CLOSING THE CONNECTOR

1. Introduce contact insert into housing (observe coding)
2. Turn the contact insert as far as it will go
3. Lock the contact insert
4. Tighten gland nut, torque
 - M32 gland nut: 8 Nm
 - M40 gland nut: 14 Nm

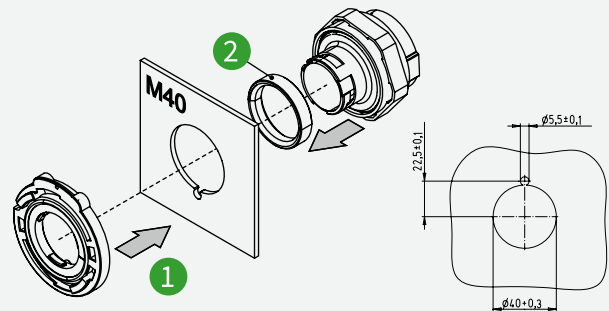
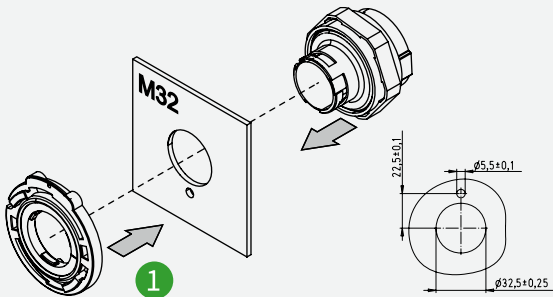


RST® POWER ASSEMBLY INSTRUCTION

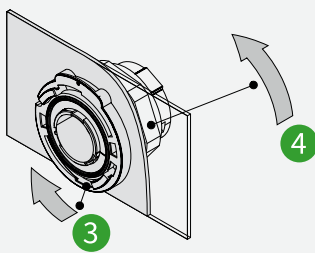
DEVICE CONNECTOR

i Housing wall thickness: 2 - 7 mm
Surface: smooth and even

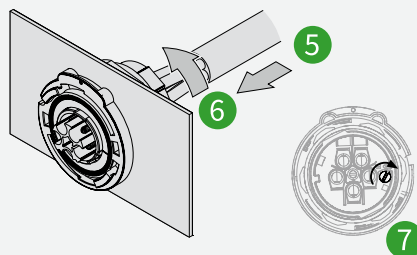
1. Join the parts together
2. Use the adapter ring for M40 bores



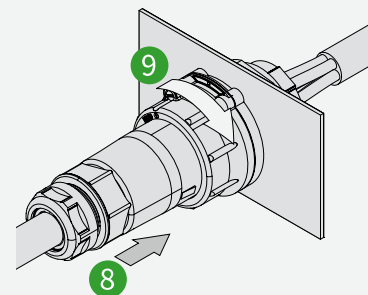
3. Engage bayonet ring, insert fixing pin into corresponding bore
4. Tighten locknut (torque: 2 Nm)



5. Introduce contact insert into device connector housing (observe coding)
6. Turn the contact insert as far as it will go
7. Lock contact insert (connected cable left out for clarity)

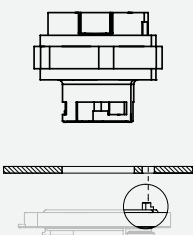


8. Plug in RST® connection
9. Close bayonet

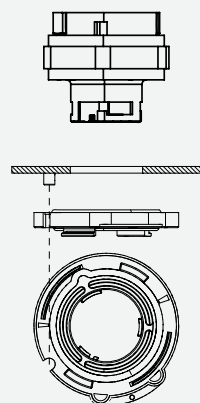


OPTIONS

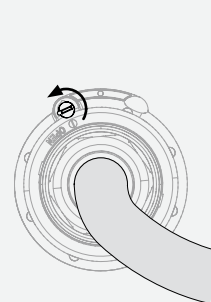
Fixing pin on flange



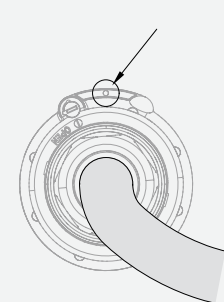
Fixing pin on mounting plate



Lock connection



Seal



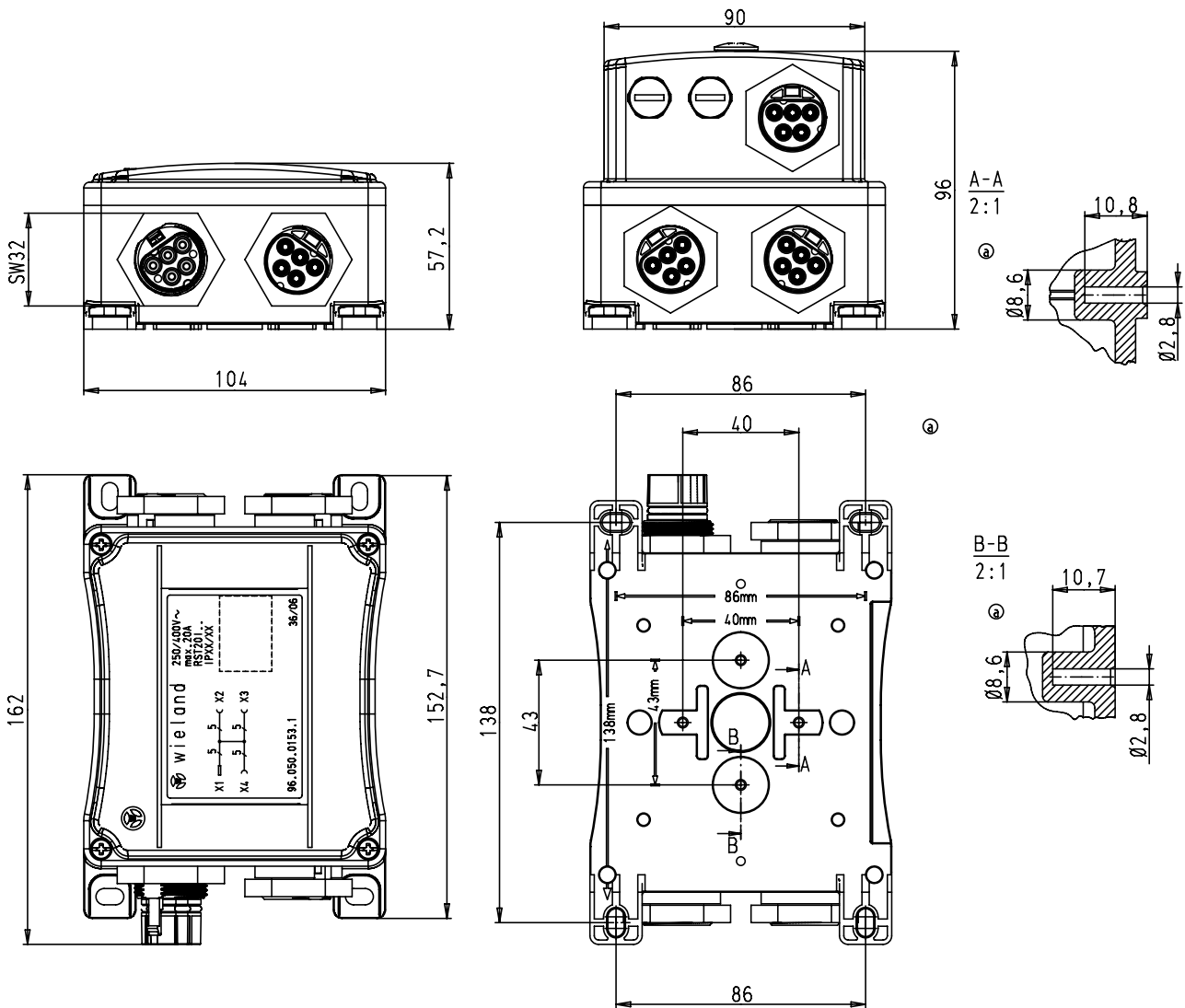
i Proceed in the same way for 4 and 5-pole connectors.
Observe the pole configuration.

NOTE: Please note that electrical connections and installations must be carried out only by appropriately trained specialists.
The Assembly instructions accompanying the product must be observed! The relevant Assembly instruction BA000641 can be found online in the download area of the product concerned: eshop.wieland-electric.com

RST® DISTRIBUTOR TECHNICAL DATA

RST® compact and multiple distributors	
Rated voltage	250/400 V
Rated current	20 A (25 A)
Temperature range:	-40 °C to +100 °C
Material	Contact parts: Brass, silver-plated Housing parts: thermoplastic PA 66, halogen-free, V2 Sealing material: NBR
Wiring	RST® MINI Standard: 1.5 mm ² , halogen free RST® CLASSIC Standard: 2.5 mm ² , halogen free (other cross-sections on request)
Directives	DIN VDE 0606 T200; DIN EN 61984 (VDE 0627); VDE 0110 IEC 60999
Certificates / approvals	VDE A direct assignment between approval and article number can be found in the eShop at http://eshop.wieland-electric.com , or speak to us.
Protection rating	IP66/68 (3m; 2h)/69 Special variants may offer different degrees of protection.
IK code	IK 07 (2 joules) to DIN EN 62262
Coding	Mechanical coding symbolized through color code. Gray and black with the same mechanical coding. Other codings optional.
Notes	Protection against contact generally guaranteed, even in the unmated condition Yellow/green conductor leading. According to the directive, voltage carrying part must be a female connector. Assembly of ring line with standards-compliant design therefore not possible! Can be connected only when polarity is correct; 1-pole not contactable. Contacts protected to prevent tensile load on the cable. All components can be locked together. In accordance with approval to DIN EN 61535, a lock must be provided. Potentially-hazardous interchangeability with installation connector systems of other manufacturers is not automatically ruled out through compliance with DIN VDE 0606 T200! Installation connector systems are no substitute for national plug/socket systems for domestic use.

RST[®] DISTRIBUTOR DIMENSIONS



INDEX

PART NUMBER | PAGE

01.006.1553.0	171	4L.040.1153.1	20	4L.427.1532.8	9
01.006.1553.1	171	4L.041.3041.4	18	4L.427.1533.1	10
02.122.9000.0	171	4L.041.3041.8	18	4L.427.1533.9	10
02.122.9100.0	171	4L.041.3043.9	18	4L.427.1534.1	11
02.122.9200.0	171	4L.041.3053.1	18	4L.427.1534.9	11
02.122.9300.0	171	4L.041.4041.4	19	4L.427.1537.4	10
02.125.5521.8	171	4L.041.4041.8	19	4L.427.1537.8	10
02.125.5621.8	171	4L.041.4043.9	19	4L.427.1538.4	11
02.125.5721.8	171	4L.041.4053.1	19	4L.427.1538.8	11
02.125.5821.8	171	4L.042.3041.4	18	4L.427.2030.1	9
02.127.1121.8	171	4L.042.3041.8	18	4L.427.2030.9	9
02.127.1221.8	171	4L.042.3043.9	18	4L.427.2032.4	9
02.127.1321.8	171	4L.042.3053.1	18	4L.427.2032.8	9
4L.020.0141.4	8	4L.042.4041.4	19	4L.427.2033.1	10
4L.020.0143.1	8	4L.042.4041.8	19	4L.427.2033.9	10
4L.020.0143.9	8	4L.042.4043.9	19	4L.427.2034.1	11
4L.020.0241.8	8	4L.042.4053.1	19	4L.427.2034.9	11
4L.020.1141.4	8	4L.050.0141.4	24	4L.427.2037.4	10
4L.020.1143.1	8	4L.050.0143.9	24	4L.427.2037.8	10
4L.020.1143.9	8	4L.050.0151.8	24	4L.427.2038.4	11
4L.020.1241.8	8	4L.050.0153.1	24	4L.427.2038.8	11
4L.021.3041.4	6	4L.050.1141.4	24	4L.427.2530.1	9
4L.021.3041.8	6	4L.050.1143.9	24	4L.427.2530.9	9
4L.021.3043.1	6	4L.050.1151.8	24	4L.427.2532.4	9
4L.021.3043.9	6	4L.050.1153.1	24	4L.427.2532.8	9
4L.021.4041.4	7	4L.051.3041.4	22	4L.427.2533.1	10
4L.021.4041.8	7	4L.051.3043.9	22	4L.427.2533.9	10
4L.021.4043.1	7	4L.051.3051.8	22	4L.427.2534.1	11
4L.021.4043.9	7	4L.051.3053.1	22	4L.427.2534.9	11
4L.022.3041.4	6	4L.051.4041.4	23	4L.427.2537.4	10
4L.022.3041.8	6	4L.051.4043.9	23	4L.427.2537.8	10
4L.022.3043.1	6	4L.051.4051.8	23	4L.427.2538.4	11
4L.022.3043.9	6	4L.051.4053.1	23	4L.427.2538.8	11
4L.022.4041.4	7	4L.052.3041.4	22	4L.427.3030.1	9
4L.022.4041.8	7	4L.052.3043.9	22	4L.427.3030.9	9
4L.022.4043.1	7	4L.052.3051.8	22	4L.427.3032.4	9
4L.022.4043.9	7	4L.052.3053.1	22	4L.427.3032.8	9
4L.030.0141.4	14	4L.052.4041.4	23	4L.427.3033.1	10
4L.030.0143.9	14	4L.052.4043.9	23	4L.427.3033.9	10
4L.030.0153.1	14	4L.052.4051.8	23	4L.427.3034.1	11
4L.030.0351.8	14	4L.052.4053.1	23	4L.427.3034.9	11
4L.030.1141.4	14	4L.427.0530.1	9	4L.427.3037.4	10
4L.030.1143.9	14	4L.427.0530.9	9	4L.427.3037.8	10
4L.030.1153.1	14	4L.427.0532.4	9	4L.427.3038.4	11
4L.030.1351.8	14	4L.427.0532.8	9	4L.427.3038.8	11
4L.031.3041.4	12	4L.427.0533.1	10	4L.427.4030.1	9
4L.031.3043.9	12	4L.427.0533.9	10	4L.427.4030.9	9
4L.031.3051.8	12	4L.427.0534.1	11	4L.427.4032.4	9
4L.031.3053.1	12	4L.427.0534.9	11	4L.427.4032.8	9
4L.031.4041.4	13	4L.427.0537.4	10	4L.427.4033.1	10
4L.031.4043.9	13	4L.427.0537.8	10	4L.427.4033.9	10
4L.031.4051.8	13	4L.427.0538.4	11	4L.427.4034.1	11
4L.031.4053.1	13	4L.427.0538.8	11	4L.427.4034.9	11
4L.032.3041.4	12	4L.427.1030.1	9	4L.427.4037.4	10
4L.032.3043.9	12	4L.427.1030.9	9	4L.427.4037.8	10
4L.032.3051.8	12	4L.427.1032.4	9	4L.427.4038.4	11
4L.032.3053.1	12	4L.427.1032.8	9	4L.427.4038.8	11
4L.032.4041.4	13	4L.427.1033.1	10	4L.437.0530.1	15
4L.032.4043.9	13	4L.427.1033.9	10	4L.437.0532.8	15
4L.032.4051.8	13	4L.427.1034.1	11	4L.437.0533.1	16
4L.032.4053.1	13	4L.427.1034.9	11	4L.437.0534.1	17
4L.040.0141.4	20	4L.427.1037.4	10	4L.437.0537.8	16
4L.040.0141.8	20	4L.427.1037.8	10	4L.437.0538.8	17
4L.040.0143.9	20	4L.427.1038.4	11	4L.437.1030.1	15
4L.040.0153.1	20	4L.427.1038.8	11	4L.437.1032.8	15
4L.040.1141.4	20	4L.427.1530.1	9	4L.437.1033.1	16
4L.040.1141.8	20	4L.427.1530.9	9	4L.437.1034.1	17
4L.040.1143.9	20	4L.427.1532.4	9	4L.437.1037.8	16

INDEX

PART NUMBER | PAGE

4L.437.1038.8	17	06.562.0583.0	63	9L.071.6253.6	151
4L.437.1530.1	15	06.562.5853.0	63	9L.071.6253.9	151
4L.437.1532.8	15	06.562.5853.1	63	9L.071.6353.1	153
4L.437.1533.1	16	06.562.8753.0	170	9L.071.6353.6	153
4L.437.1534.1	17	06.563.5053.1	26	9L.071.6353.9	153
4L.437.1537.8	16	06.563.5153.1	26	9L.072.4153.1	143
4L.437.1538.8	17	06.563.8653.0	62	9L.072.6053.0	149
4L.437.2030.1	15	06.563.8653.1	62	9L.072.6053.1	149
4L.437.2032.8	15	06.563.8753.0	62	9L.072.6053.6	149
4L.437.2033.1	16	06.563.8753.1	62	9L.072.6053.9	149
4L.437.2034.1	17	06.563.8853.0	62	9L.072.6153.0	147
4L.437.2037.8	16	06.563.8853.1	62	9L.072.6153.1	147
4L.437.2038.8	17	06.563.8953.0	62	9L.072.6153.6	147
4L.437.2530.1	15	06.563.8953.1	62	9L.072.6153.9	147
4L.437.2532.8	15	06.563.9053.0	62	9L.072.6253.0	151
4L.437.2533.1	16	06.563.9053.1	62	9L.072.6253.1	151
4L.437.2534.1	17	06.563.9153.0	62	9L.072.6253.6	151
4L.437.2537.8	16	06.563.9153.1	62	9L.072.6253.9	151
4L.437.2538.8	17	06.563.9253.0	63	9L.072.6353.1	153
4L.437.3030.1	15	06.563.9253.1	63	9L.072.6353.6	153
4L.437.3032.8	15	06.563.9353.0	62	9L.072.6353.9	153
4L.437.3033.1	16	06.563.9353.1	62	9L.073.4053.0	143
4L.437.3034.1	17	06.564.1553.1	26	9L.073.4053.1	143
4L.437.3037.8	16	06.564.1653.1	26	9L.073.4053.6	143
4L.437.3038.8	17	06.600.3627.0	172	9L.073.4053.9	143
4L.437.4030.1	15	06.600.3727.0	172	9L.073.4153.0	144
4L.437.4032.8	15	06.600.3827.0	172	9L.073.4153.1	144
4L.437.4033.1	16	06.600.3927.0	172	9L.073.4153.6	144
4L.437.4034.1	17	9L.061.4053.6	130	9L.073.4153.9	144
4L.437.4037.8	16	9L.061.4153.6	131	9L.161.0053.6	133
4L.437.4038.8	17	9L.061.4553.6	131	9L.161.0153.6	133
05.502.2100.0	172	9L.061.4853.6	130	9L.161.0553.6	134
05.502.3500.0	172	9L.061.6053.6	137	9L.161.0853.6	133
05.502.3600.0	172	9L.061.6153.6	135	9L.161.2053.6	137
05.502.4000.0	173	9L.061.6253.6	139	9L.161.2153.6	135
05.544.7800.0	171	9L.061.6353.6	141	9L.161.2253.6	139
05.544.7900.0	171	9L.062.6053.6	137	9L.161.2353.6	141
05.544.8000.0	171	9L.062.6153.6	135	9L.162.2053.6	137
05.545.0021.8	171	9L.062.6253.6	139	9L.162.2153.6	135
05.545.0121.8	171	9L.062.6353.6	141	9L.162.2253.6	139
05.545.0221.8	171	9L.063.4053.6	131	9L.162.2353.6	141
05.545.0321.8	171	9L.063.4153.6	132	9L.163.0053.6	134
05.545.4600.0	171	9L.071.4053.0	142	9L.163.0153.6	134
05.546.3921.8	171	9L.071.4053.1	142	9L.171.0053.0	145
05.546.4021.8	171	9L.071.4053.6	142	9L.171.0053.1	145
05.546.4121.8	171	9L.071.4053.9	142	9L.171.0053.6	145
05.564.4453.0	168	9L.071.4153.0	143	9L.171.0053.9	145
05.564.4453.1	168	9L.071.4153.1	143	9L.171.0153.0	145
05.564.8653.1	170	9L.071.4153.6	143	9L.171.0153.1	145
05.564.8653.3	170	9L.071.4153.9	143	9L.171.0153.6	145
05.564.8653.7	170	9L.071.4553.0	143	9L.171.0153.9	145
05.565.0400.0	170	9L.071.4553.1	143	9L.171.0553.0	146
05.565.0500.0	170	9L.071.4553.6	143	9L.171.0553.1	146
05.565.2600.0	170	9L.071.4553.9	143	9L.171.0553.6	146
05.565.8653.1	170	9L.071.4853.0	142	9L.171.0553.9	146
05.565.8653.3	170	9L.071.4853.1	142	9L.171.0853.0	145
05.565.8653.7	170	9L.071.4853.6	142	9L.171.0853.1	145
05.565.9953.0	169	9L.071.4853.9	142	9L.171.0853.6	145
05.565.9953.1	169	9L.071.6053.0	149	9L.171.0853.9	145
05.566.5253.0	173	9L.071.6053.1	149	9L.171.2053.0	149
05.566.5253.1	173	9L.071.6053.6	149	9L.171.2053.1	149
05.568.8853.1	173	9L.071.6053.9	149	9L.171.2053.6	149
05.583.2900.1	170	9L.071.6153.0	147	9L.171.2053.9	149
05.583.2900.3	170	9L.071.6153.1	147	9L.171.2153.0	147
06.502.4300.0	172	9L.071.6153.6	147	9L.171.2153.1	147
06.502.6100.0	26	9L.071.6153.9	147	9L.171.2153.6	147
06.502.6300.0	26	9L.071.6253.0	151	9L.171.2153.9	147
06.561.8383.0	63	9L.071.6253.1	151	9L.171.2253.0	151



INDEX

PART NUMBER | PAGE

9L.171.2253.1	151	41.041.4053.1	19	41.427.2034.9	11
9L.171.2253.6	151	41.042.3041.4	18	41.427.2037.4	10
9L.171.2253.9	151	41.042.3041.8	18	41.427.2037.8	10
9L.171.2353.1	153	41.042.3043.9	18	41.427.2038.4	11
9L.171.2353.6	153	41.042.3053.1	18	41.427.2038.8	11
9L.171.2353.9	153	41.042.4041.4	19	41.427.2530.1	9
9L.172.2053.0	149	41.042.4041.8	19	41.427.2530.9	9
9L.172.2053.1	149	41.042.4043.9	19	41.427.2532.4	9
9L.172.2053.6	149	41.042.4053.1	19	41.427.2532.8	9
9L.172.2053.9	149	41.051.3041.4	22	41.427.2533.1	10
9L.172.2153.0	147	41.051.3043.9	22	41.427.2533.9	10
9L.172.2153.1	147	41.051.3051.8	22	41.427.2534.1	11
9L.172.2153.6	147	41.051.3053.1	22	41.427.2534.9	11
9L.172.2153.9	147	41.051.4041.4	23	41.427.2537.4	10
9L.172.2253.0	151	41.051.4043.9	23	41.427.2537.8	10
9L.172.2253.1	151	41.051.4051.8	23	41.427.2538.4	11
9L.172.2253.6	151	41.051.4053.1	23	41.427.2538.8	11
9L.172.2253.9	151	41.052.3041.4	22	41.427.3030.1	9
9L.172.2353.1	153	41.052.3043.9	22	41.427.3030.9	9
9L.172.2353.6	153	41.052.3051.8	22	41.427.3032.4	9
9L.172.2353.9	153	41.052.3053.1	22	41.427.3032.8	9
9L.173.0053.0	146	41.052.4041.4	23	41.427.3033.1	10
9L.173.0053.1	146	41.052.4043.9	23	41.427.3033.9	10
9L.173.0053.6	146	41.052.4051.8	23	41.427.3034.1	11
9L.173.0053.9	146	41.052.4053.1	23	41.427.3034.9	11
9L.173.0153.0	146	41.427.0530.1	9	41.427.3037.4	10
9L.173.0153.1	146	41.427.0530.9	9	41.427.3037.8	10
9L.173.0153.6	146	41.427.0532.4	9	41.427.3038.4	11
9L.173.0153.9	146	41.427.0532.8	9	41.427.3038.8	11
41.021.3041.4	6	41.427.0533.1	10	41.427.4030.1	9
41.021.3041.8	6	41.427.0533.9	10	41.427.4030.9	9
41.021.3043.1	6	41.427.0534.1	11	41.427.4032.4	9
41.021.3043.9	6	41.427.0534.9	11	41.427.4032.8	9
41.021.4041.4	7	41.427.0537.4	10	41.427.4033.1	10
41.021.4041.8	7	41.427.0537.8	10	41.427.4033.9	10
41.021.4043.1	7	41.427.0538.4	11	41.427.4034.1	11
41.021.4043.9	7	41.427.0538.8	11	41.427.4034.9	11
41.022.3041.4	6	41.427.1030.1	9	41.427.4037.4	10
41.022.3041.8	6	41.427.1030.9	9	41.427.4037.8	10
41.022.3043.1	6	41.427.1032.4	9	41.427.4038.4	11
41.022.3043.9	6	41.427.1032.8	9	41.427.4038.8	11
41.022.4041.4	7	41.427.1033.1	10	41.437.0530.1	15
41.022.4041.8	7	41.427.1033.9	10	41.437.0532.8	15
41.022.4043.1	7	41.427.1034.1	11	41.437.0533.1	16
41.022.4043.9	7	41.427.1034.9	11	41.437.0534.1	17
41.031.3041.4	12	41.427.1037.4	10	41.437.0537.8	16
41.031.3043.9	12	41.427.1037.8	10	41.437.0538.8	17
41.031.3051.8	12	41.427.1038.4	11	41.437.1030.1	15
41.031.3053.1	12	41.427.1038.8	11	41.437.1032.8	15
41.031.4041.4	13	41.427.1530.1	9	41.437.1033.1	16
41.031.4043.9	13	41.427.1530.9	9	41.437.1034.1	17
41.031.4051.8	13	41.427.1532.4	9	41.437.1037.8	16
41.031.4053.1	13	41.427.1532.8	9	41.437.1038.8	17
41.032.3041.4	12	41.427.1533.1	10	41.437.1530.1	15
41.032.3043.9	12	41.427.1533.9	10	41.437.1532.8	15
41.032.3051.8	12	41.427.1534.1	11	41.437.1533.1	16
41.032.3053.1	12	41.427.1534.9	11	41.437.1534.1	17
41.032.4041.4	13	41.427.1537.4	10	41.437.1537.8	16
41.032.4043.9	13	41.427.1537.8	10	41.437.1538.8	17
41.032.4051.8	13	41.427.1538.4	11	41.437.2030.1	15
41.032.4053.1	13	41.427.1538.8	11	41.437.2032.8	15
41.041.3041.4	18	41.427.2030.1	9	41.437.2033.1	16
41.041.3041.8	18	41.427.2030.9	9	41.437.2034.1	17
41.041.3043.9	18	41.427.2032.4	9	41.437.2037.8	16
41.041.3053.1	18	41.427.2032.8	9	41.437.2038.8	17
41.041.4041.4	19	41.427.2033.1	10	41.437.2530.1	15
41.041.4041.8	19	41.427.2033.9	10	41.437.2532.8	15
41.041.4043.9	19	41.427.2034.1	11	41.437.2533.1	16

INDEX

PART NUMBER | PAGE

41.437.2534.1	17	46.031.5051.4	31	46.032.M054.9	32
41.437.2537.8	16	46.031.5051.6	31	46.032.M055.7	40
41.437.2538.8	17	46.031.5053.0	39	46.050.0150.4	55
41.437.3030.1	15	46.031.5053.1	39	46.050.0151.4	51
41.437.3032.8	15	46.031.5053.9	39	46.050.0153.0	55
41.437.3033.1	16	46.031.5054.0	31	46.050.0153.1	55
41.437.3034.1	17	46.031.5054.1	31	46.050.0153.6	55
41.437.3037.8	16	46.031.5054.9	31	46.050.0153.9	55
41.437.3038.8	17	46.031.5055.7	39	46.050.0154.0	51
41.437.4030.1	15	46.031.5056.7	31	46.050.0154.1	51
41.437.4032.8	15	46.032.4450.4	38	46.050.1250.4	55
41.437.4033.1	16	46.032.4450.6	38	46.050.1251.4	51
41.437.4034.1	17	46.032.4451.4	30	46.050.1253.0	55
41.437.4037.8	16	46.032.4451.6	30	46.050.1253.1	55
41.437.4038.8	17	46.032.4453.0	38	46.050.1253.6	55
46.030.0150.6	41	46.032.4453.1	38	46.050.1253.9	55
46.030.0151.4	33	46.032.4453.9	38	46.050.1254.0	51
46.030.0151.6	33	46.032.4454.0	30	46.050.1254.1	51
46.030.0153.0	41	46.032.4454.1	30	46.051.4150.4	52
46.030.0153.1	41	46.032.4454.9	30	46.051.4151.4	48
46.030.0153.9	41	46.032.4455.7	38	46.051.4153.0	52
46.030.0154.0	33	46.032.4456.7	30	46.051.4153.1	52
46.030.0154.1	33	46.032.4456.7	30	46.051.4153.6	52
46.030.0154.9	33	46.032.4550.4	38	46.051.4153.9	52
46.030.0155.7	41	46.032.4550.6	38	46.051.4153.9	52
46.030.1250.4	41	46.032.4551.4	30	46.051.4154.0	48
46.030.1250.6	41	46.032.4551.6	30	46.051.4154.1	48
46.030.1251.4	33	46.032.4553.0	38	46.051.4550.4	52
46.030.1251.6	33	46.032.4553.1	38	46.051.4551.4	48
46.030.1253.0	41	46.032.4553.9	38	46.051.4553.0	52
46.030.1253.1	41	46.032.4554.0	30	46.051.4553.1	52
46.030.1253.9	41	46.032.4554.1	30	46.051.4553.6	52
46.030.1254.0	33	46.032.4554.9	30	46.051.4553.9	52
46.030.1254.1	33	46.032.4555.7	38	46.051.4554.0	48
46.030.1254.9	33	46.032.4556.7	30	46.051.4554.1	48
46.030.1255.7	41	46.032.4951.4	30	46.051.5050.4	54
46.030.1354.4	33	46.032.4951.6	30	46.051.5051.4	50
46.030.1354.7	33	46.032.5050.4	39	46.051.5053.0	54
46.030.1355.4	41	46.032.5050.6	39	46.051.5053.1	54
46.030.1355.7	41	46.032.5051.4	31	46.051.5053.6	54
46.031.4450.4	38	46.032.5051.6	31	46.051.5053.9	54
46.031.4450.6	38	46.032.5053.0	39	46.051.5054.0	50
46.031.4451.4	30	46.032.5053.1	39	46.051.5054.1	50
46.031.4451.6	30	46.032.5053.9	39	46.051.M0L0.0	53
46.031.4453.0	38	46.032.5054.0	31	46.051.M0L0.1	53
46.031.4453.1	38	46.032.5054.1	31	46.051.M0L0.4	53
46.031.4453.9	38	46.032.5054.9	31	46.051.M0L0.6	53
46.031.4454.0	30	46.032.5055.7	39	46.051.M0L0.9	53
46.031.4454.1	30	46.032.5056.7	31	46.051.M0L1.0	49
46.031.4454.9	30	46.032.M0L0.0	40	46.051.M0L1.1	49
46.031.4455.7	38	46.032.M0L0.1	40	46.051.M0L1.4	49
46.031.4456.7	30	46.032.M0L0.4	40	46.051.M050.4	53
46.031.4550.4	38	46.032.M0L0.6	40	46.051.M051.4	49
46.031.4550.6	38	46.032.M0L0.7	40	46.051.M053.0	53
46.031.4551.4	30	46.032.M0L0.9	40	46.051.M053.1	53
46.031.4551.6	30	46.032.M0L1.0	32	46.051.M053.6	53
46.031.4553.0	38	46.032.M0L1.1	32	46.051.M053.9	53
46.031.4553.1	38	46.032.M0L1.4	32	46.051.M054.0	49
46.031.4553.9	38	46.032.M0L1.6	32	46.051.M054.1	49
46.031.4554.0	30	46.032.M0L1.9	32	46.052.4150.4	52
46.031.4554.1	30	46.032.M050.4	40	46.052.4151.4	48
46.031.4554.9	30	46.032.M050.6	40	46.052.4153.0	52
46.031.4555.7	38	46.032.M051.4	32	46.052.4153.1	52
46.031.4556.7	30	46.032.M051.6	32	46.052.4153.6	52
46.031.4951.4	30	46.032.M053.0	40	46.052.4153.9	52
46.031.4951.6	30	46.032.M053.1	40	46.052.4154.0	48
46.031.5050.4	39	46.032.M053.9	40	46.052.4154.1	48
46.031.5050.6	39	46.032.M054.0	32	46.052.4550.4	52
		46.032.M054.1	32	46.052.4551.4	48



INDEX

PART NUMBER | PAGE

46.052.4553.0	52	46.422.4000.1	34	46.423.8033.1	36
46.052.4553.1	52	46.422.4002.4	34	46.423.8034.1	37
46.052.4553.6	52	46.422.4003.1	34	46.423.8037.4	36
46.052.4553.9	52	46.422.4004.1	35	46.423.8038.4	37
46.052.4554.0	48	46.422.4007.4	34	46.432.10B0.1	42
46.052.4554.1	48	46.422.4008.4	35	46.432.10B3.1	43
46.052.5050.4	54	46.422.4030.1	34	46.432.10B4.1	44
46.052.5051.4	50	46.422.4032.4	34	46.432.10C0.1	42
46.052.5053.0	54	46.422.4033.1	34	46.432.10C3.1	43
46.052.5053.1	54	46.422.4034.1	35	46.432.10C4.1	44
46.052.5053.6	54	46.422.4037.4	34	46.432.20B0.1	42
46.052.5053.9	54	46.422.4038.4	35	46.432.20B3.1	43
46.052.5054.0	50	46.422.5000.1	34	46.432.20B4.1	44
46.052.5054.1	50	46.422.5002.4	34	46.432.20C0.1	42
46.052.M0L0.0	53	46.422.5003.1	34	46.432.20C3.1	43
46.052.M0L0.1	53	46.422.5004.1	35	46.432.20C4.1	44
46.052.M0L0.4	53	46.422.5007.4	34	46.432.30B4.1	44
46.052.M0L0.6	53	46.422.5008.4	35	46.432.0500.1	42
46.052.M0L0.9	53	46.422.5030.1	34	46.432.0503.1	43
46.052.M0L1.0	49	46.422.5032.4	34	46.432.0504.1	44
46.052.M0L1.1	49	46.422.5033.1	34	46.432.0530.1	42
46.052.M0L1.4	49	46.422.5034.1	35	46.432.0533.1	43
46.052.M050.4	53	46.422.5037.4	34	46.432.0534.1	44
46.052.M051.4	49	46.422.5038.4	35	46.432.1000.1	42
46.052.M053.0	53	46.423.1030.1	36	46.432.1003.1	43
46.052.M053.1	53	46.423.1032.4	36	46.432.1004.1	44
46.052.M053.6	53	46.423.1033.1	36	46.432.1030.1	42
46.052.M053.9	53	46.423.1034.1	37	46.432.1033.1	43
46.052.M054.0	49	46.423.1037.4	36	46.432.1034.1	44
46.052.M054.1	49	46.423.1038.4	37	46.432.2000.1	42
46.422.0508.4	35	46.423.2030.1	36	46.432.2003.1	43
46.422.0538.4	35	46.423.2032.4	36	46.432.2004.1	44
46.422.1000.1	34	46.423.2033.1	36	46.432.2030.1	42
46.422.1002.4	34	46.423.2034.1	37	46.432.2033.1	43
46.422.1003.1	34	46.423.2037.4	36	46.432.2034.1	44
46.422.1004.1	35	46.423.2038.4	37	46.432.3000.1	42
46.422.1007.4	34	46.423.3030.1	36	46.432.3003.1	43
46.422.1008.4	35	46.423.3032.4	36	46.432.3004.1	44
46.422.1030.1	34	46.423.3033.1	36	46.432.3030.1	42
46.422.1032.4	34	46.423.3034.1	37	46.432.3033.1	43
46.422.1033.1	34	46.423.3037.4	36	46.432.3034.1	44
46.422.1034.1	35	46.423.3038.4	37	46.432.4000.1	42
46.422.1037.4	34	46.423.4030.1	36	46.432.4003.1	43
46.422.1038.4	35	46.423.4032.4	36	46.432.4004.1	44
46.422.2000.1	34	46.423.4033.1	36	46.432.4030.1	42
46.422.2002.4	34	46.423.4034.1	37	46.432.4033.1	43
46.422.2003.1	34	46.423.4037.4	36	46.432.4034.1	44
46.422.2004.1	35	46.423.4038.4	37	46.432.5000.1	42
46.422.2007.4	34	46.423.5030.1	36	46.432.5003.1	43
46.422.2008.4	35	46.423.5032.4	36	46.432.5004.1	44
46.422.2030.1	34	46.423.5033.1	36	46.432.5030.1	42
46.422.2032.4	34	46.423.5034.1	37	46.432.5033.1	43
46.422.2033.1	34	46.423.5037.4	36	46.432.5034.1	44
46.422.2034.1	35	46.423.5038.4	37	46.433.1000.1	46
46.422.2037.4	34	46.423.6030.1	36	46.433.1003.1	47
46.422.2038.4	35	46.423.6032.4	36	46.433.1004.1	47
46.422.3000.1	34	46.423.6033.1	36	46.433.1030.1	46
46.422.3002.4	34	46.423.6034.1	37	46.433.1030.9	46
46.422.3003.1	34	46.423.6037.4	36	46.433.1031.7	46
46.422.3004.1	35	46.423.6038.4	37	46.433.1033.1	47
46.422.3007.4	34	46.423.7030.1	36	46.433.1033.9	47
46.422.3008.4	35	46.423.7032.4	36	46.433.1034.1	47
46.422.3030.1	34	46.423.7033.1	36	46.433.1034.9	47
46.422.3032.4	34	46.423.7034.1	37	46.433.1035.7	47
46.422.3033.1	34	46.423.7037.4	36	46.433.1036.7	47
46.422.3034.1	35	46.423.7038.4	37	46.433.2000.1	46
46.422.3037.4	34	46.423.8030.1	36	46.433.2003.1	47
46.422.3038.4	35	46.423.8032.4	36	46.433.2004.1	47

INDEX

PART NUMBER | PAGE

46.433.2030.1	46	46.433.7036.7	47	46.452.0564.1	58
46.433.2030.9	46	46.433.8000.1	46	46.452.0564.6	58
46.433.2031.7	46	46.433.8003.1	47	46.452.1000.1	56
46.433.2033.1	47	46.433.8004.1	47	46.452.1000.6	56
46.433.2033.9	47	46.433.8030.1	46	46.452.1003.1	57
46.433.2034.1	47	46.433.8030.9	46	46.452.1003.6	57
46.433.2034.9	47	46.433.8031.7	46	46.452.1004.1	58
46.433.2035.7	47	46.433.8033.1	47	46.452.1004.6	58
46.433.2036.7	47	46.433.8033.9	47	46.452.1030.1	56
46.433.3000.1	46	46.433.8034.1	47	46.452.1030.6	56
46.433.3003.1	47	46.433.8034.9	47	46.452.1033.1	57
46.433.3004.1	47	46.433.8035.7	47	46.452.1033.6	57
46.433.3030.1	46	46.433.8036.7	47	46.452.1034.1	58
46.433.3030.9	46	46.452.05C4.6	58	46.452.1034.6	58
46.433.3031.7	46	46.452.10B0.1	56	46.452.1060.1	56
46.433.3033.1	47	46.452.10B0.6	56	46.452.1060.6	56
46.433.3033.9	47	46.452.10B3.1	57	46.452.1063.1	57
46.433.3034.1	47	46.452.10B3.6	57	46.452.1063.6	57
46.433.3034.9	47	46.452.10B4.1	58	46.452.1064.1	58
46.433.3035.7	47	46.452.10B4.6	58	46.452.1064.6	58
46.433.3036.7	47	46.452.10C0.1	56	46.452.2000.1	56
46.433.4000.1	46	46.452.10C0.6	56	46.452.2000.6	56
46.433.4003.1	47	46.452.10C3.1	57	46.452.2003.1	57
46.433.4004.1	47	46.452.10C3.6	57	46.452.2003.6	57
46.433.4030.1	46	46.452.10C4.1	58	46.452.2004.1	58
46.433.4030.9	46	46.452.10C4.6	58	46.452.2004.6	58
46.433.4031.7	46	46.452.10D0.1	56	46.452.2030.1	56
46.433.4033.1	47	46.452.10D0.6	56	46.452.2030.6	56
46.433.4033.9	47	46.452.10D3.1	57	46.452.2033.1	57
46.433.4034.1	47	46.452.10D3.6	57	46.452.2033.6	57
46.433.4034.9	47	46.452.10D4.1	58	46.452.2034.1	58
46.433.4035.7	47	46.452.10D4.6	58	46.452.2034.6	58
46.433.4036.7	47	46.452.20B0.1	56	46.452.2060.1	56
46.433.5000.1	46	46.452.20B0.6	56	46.452.2060.6	56
46.433.5003.1	47	46.452.20B3.1	57	46.452.2063.1	57
46.433.5004.1	47	46.452.20B3.6	57	46.452.2063.6	57
46.433.5030.1	46	46.452.20B4.1	58	46.452.2064.1	58
46.433.5030.9	46	46.452.20B4.6	58	46.452.2064.6	58
46.433.5031.7	46	46.452.20C0.1	56	46.452.3000.1	56
46.433.5033.1	47	46.452.20C0.6	56	46.452.3000.6	56
46.433.5033.9	47	46.452.20C3.1	57	46.452.3003.1	57
46.433.5034.1	47	46.452.20C3.6	57	46.452.3003.6	57
46.433.5034.9	47	46.452.20C4.1	58	46.452.3004.1	58
46.433.5035.7	47	46.452.20C4.6	58	46.452.3004.6	58
46.433.5036.7	47	46.452.20D0.1	56	46.452.3030.1	56
46.433.6000.1	46	46.452.20D0.6	56	46.452.3030.6	56
46.433.6003.1	47	46.452.20D3.1	57	46.452.3033.1	57
46.433.6004.1	47	46.452.20D3.6	57	46.452.3033.6	57
46.433.6030.1	46	46.452.20D4.1	58	46.452.3034.1	58
46.433.6030.9	46	46.452.20D4.6	58	46.452.3034.6	58
46.433.6031.7	46	46.452.30C0.6	56	46.452.3060.1	56
46.433.6033.1	47	46.452.40C0.6	56	46.452.3060.6	56
46.433.6033.9	47	46.452.50C0.6	56	46.452.3063.1	57
46.433.6034.1	47	46.452.0500.1	56	46.452.3063.6	57
46.433.6034.9	47	46.452.0500.6	56	46.452.3064.1	58
46.433.6035.7	47	46.452.0503.1	57	46.452.3064.6	58
46.433.6036.7	47	46.452.0503.6	57	46.452.4000.1	56
46.433.7000.1	46	46.452.0504.6	58	46.452.4000.6	56
46.433.7003.1	47	46.452.0530.1	56	46.452.4003.1	57
46.433.7004.1	47	46.452.0530.6	56	46.452.4003.6	57
46.433.7030.1	46	46.452.0533.1	57	46.452.4004.1	58
46.433.7030.9	46	46.452.0533.6	57	46.452.4004.6	58
46.433.7031.7	46	46.452.0534.1	58	46.452.4030.1	56
46.433.7033.1	47	46.452.0534.6	58	46.452.4030.6	56
46.433.7033.9	47	46.452.0560.1	56	46.452.4033.1	57
46.433.7034.1	47	46.452.0560.6	56	46.452.4033.6	57
46.433.7034.9	47	46.452.0563.1	57	46.452.4034.1	58
46.433.7035.7	47	46.452.0563.6	57	46.452.4034.6	58



INDEX

PART NUMBER | PAGE

46.452.4060.1	56	46.453.3060.6	59	46.453.8004.6	60
46.452.4060.6	56	46.453.3063.6	59	46.453.8030.1	59
46.452.4063.1	57	46.453.3064.6	60	46.453.8030.6	59
46.452.4063.6	57	46.453.4000.1	59	46.453.8033.1	59
46.452.4064.1	58	46.453.4000.6	59	46.453.8033.6	59
46.452.4064.6	58	46.453.4003.1	59	46.453.8034.1	60
46.452.5000.1	56	46.453.4003.6	59	46.453.8034.6	60
46.452.5000.6	56	46.453.4004.1	60	46.453.8060.6	59
46.452.5003.1	57	46.453.4004.6	60	46.453.8063.6	59
46.452.5003.6	57	46.453.4030.1	59	46.453.8064.6	60
46.452.5004.1	58	46.453.4030.6	59	95.101.0800.0	172
46.452.5004.6	58	46.453.4033.1	59	95.101.1300.0	172
46.452.5030.1	56	46.453.4033.6	59	96.020.0150.8	75
46.452.5030.6	56	46.453.4034.1	60	96.020.0151.4	75
46.452.5033.1	57	46.453.4034.6	60	96.020.0153.0	75
46.452.5033.6	57	46.453.4060.6	59	96.020.0153.1	75
46.452.5034.1	58	46.453.4063.6	59	96.020.0155.7	75
46.452.5034.6	58	46.453.4064.6	60	96.020.0250.8	75
46.452.5060.1	56	46.453.5000.1	59	96.020.0251.4	75
46.452.5060.6	56	46.453.5000.6	59	96.020.0253.0	75
46.452.5063.1	57	46.453.5003.1	59	96.020.0253.1	75
46.452.5063.6	57	46.453.5003.6	59	96.021.0050.8	70
46.452.5064.1	58	46.453.5004.1	60	96.021.0051.4	70
46.452.5064.6	58	46.453.5004.6	60	96.021.0053.0	70
46.452.6003.1	57	46.453.5030.1	59	96.021.0053.1	70
46.452.6033.1	57	46.453.5030.6	59	96.021.0150.8	70
46.453.1000.1	59	46.453.5033.1	59	96.021.0151.4	70
46.453.1000.6	59	46.453.5033.6	59	96.021.0153.0	70
46.453.1003.1	59	46.453.5034.1	60	96.021.0153.1	70
46.453.1003.6	59	46.453.5034.6	60	96.021.0250.8	71
46.453.1004.1	60	46.453.5060.6	59	96.021.0251.4	71
46.453.1004.6	60	46.453.5063.6	59	96.021.0253.0	71
46.453.1030.1	59	46.453.5064.6	60	96.021.0253.1	71
46.453.1030.6	59	46.453.6000.1	59	96.021.0351.4	71
46.453.1033.1	59	46.453.6000.6	59	96.021.0353.0	71
46.453.1033.6	59	46.453.6003.1	59	96.021.0353.1	71
46.453.1034.1	60	46.453.6003.6	59	96.021.0453.0	70
46.453.1034.6	60	46.453.6004.1	60	96.021.0453.1	70
46.453.1060.6	59	46.453.6004.6	60	96.021.0950.8	70
46.453.1063.6	59	46.453.6030.1	59	96.021.0951.4	70
46.453.1064.6	60	46.453.6030.6	59	96.021.1050.8	74
46.453.2000.1	59	46.453.6033.1	59	96.021.1051.4	74
46.453.2000.6	59	46.453.6033.6	59	96.021.1053.0	74
46.453.2003.1	59	46.453.6034.1	60	96.021.1053.1	74
46.453.2003.6	59	46.453.6034.6	60	96.021.2050.8	73
46.453.2004.1	60	46.453.6060.6	59	96.021.2051.4	73
46.453.2004.6	60	46.453.6063.6	59	96.021.2053.0	73
46.453.2030.1	59	46.453.6064.6	60	96.021.2053.1	73
46.453.2030.6	59	46.453.7000.1	59	96.021.2150.8	72
46.453.2033.1	59	46.453.7000.6	59	96.021.2151.4	72
46.453.2033.6	59	46.453.7003.1	59	96.021.2153.0	72
46.453.2034.1	60	46.453.7003.6	59	96.021.2153.1	72
46.453.2034.6	60	46.453.7004.1	60	96.021.4050.8	68
46.453.2060.6	59	46.453.7004.6	60	96.021.4051.4	68
46.453.2063.6	59	46.453.7030.1	59	96.021.4053.0	68
46.453.2064.6	60	46.453.7030.6	59	96.021.4053.1	68
46.453.3000.1	59	46.453.7033.1	59	96.021.4055.7	68
46.453.3000.6	59	46.453.7033.6	59	96.021.4150.8	68
46.453.3003.1	59	46.453.7034.1	60	96.021.4151.4	68
46.453.3003.6	59	46.453.7034.6	60	96.021.4153.0	68
46.453.3004.1	60	46.453.7060.6	59	96.021.4153.1	68
46.453.3004.6	60	46.453.7063.6	59	96.021.4155.7	68
46.453.3030.1	59	46.453.7064.6	60	96.021.4250.8*	69
46.453.3030.6	59	46.453.8000.1	59	96.021.4251.4*	69
46.453.3033.1	59	46.453.8000.6	59	96.021.4253.0*	69
46.453.3033.6	59	46.453.8003.1	59	96.021.4253.1*	69
46.453.3034.1	60	46.453.8003.6	59	96.021.4351.4*	69
46.453.3034.6	60	46.453.8004.1	60	96.021.4353.0*	69

INDEX

PART NUMBER | PAGE

96.021.4353.1*	69	96.022.6150.8	72	96.024.6050.8	73
96.021.4451.4	68	96.022.6151.4	72	96.024.6051.4	73
96.021.4453.0	68	96.022.6153.0	72	96.024.6053.0	73
96.021.4453.1	68	96.022.6153.1	72	96.024.6053.1	73
96.021.4950.8	68	96.023.0050.8	70	96.024.6250.8	74
96.021.4951.4	68	96.023.0051.4	70	96.024.6251.4	74
96.021.5050.8	74	96.023.0053.0	70	96.024.6253.0	74
96.021.5051.4	74	96.023.0053.1	70	96.024.6253.1	74
96.021.5053.0	74	96.023.0150.8	70	96.025.2153.0	72
96.021.5053.1	74	96.023.0151.4	70	96.025.2153.1	72
96.021.6050.8	73	96.023.0153.0	70	96.025.6153.0	72
96.021.6051.4	73	96.023.0153.1	70	96.025.6153.1	72
96.021.6053.0	73	96.023.0950.8	71	96.026.2153.0	72
96.021.6053.1	73	96.023.0951.4	71	96.026.2153.1	72
96.021.6150.8	72	96.023.2050.8	73	96.026.6153.0	72
96.021.6151.4	72	96.023.2051.4	73	96.026.6153.1	72
96.021.6153.0	72	96.023.2053.0	73	96.030.0151.4	93
96.021.6153.1	72	96.023.2053.1	73	96.030.0153.0	93
96.022.0050.8	70	96.023.2250.8	74	96.030.0153.1	93
96.022.0051.4	70	96.023.2251.4	74	96.030.0153.9	93
96.022.0053.0	70	96.023.2253.0	74	96.030.0155.7	93
96.022.0053.1	70	96.023.2253.1	74	96.030.0251.4	93
96.022.0150.8	70	96.023.4050.8	69	96.030.0253.0	93
96.022.0151.4	70	96.023.4051.4	69	96.030.0253.1	93
96.022.0153.0	70	96.023.4053.0	69	96.030.0255.7	93
96.022.0153.1	70	96.023.4053.1	69	96.031.0051.4	84
96.022.0253.1	71	96.023.4150.8	69	96.031.0053.0	84
96.022.0350.8	71	96.023.4151.4	69	96.031.0053.1	84
96.022.0453.0	70	96.023.4153.0	69	96.031.0053.9	84
96.022.0453.1	70	96.023.4153.1	69	96.031.0055.7	84
96.022.0950.8	70	96.023.4950.8	69	96.031.0151.4	84
96.022.0951.4	70	96.023.4951.4	69	96.031.0153.0	84
96.022.1050.8	74	96.023.6050.8	73	96.031.0153.1	84
96.022.1051.4	74	96.023.6051.4	73	96.031.0153.9	84
96.022.1053.0	74	96.023.6053.0	73	96.031.0155.7	84
96.022.1053.1	74	96.023.6053.1	73	96.031.0253.0	84
96.022.2050.8	73	96.023.6250.8	74	96.031.0253.1	84
96.022.2051.4	73	96.023.6251.4	74	96.031.0253.9	84
96.022.2053.0	73	96.023.6253.0	74	96.031.0255.7	84
96.022.2053.1	73	96.023.6253.1	74	96.031.0353.0	85
96.022.2150.8	72	96.024.0050.8	70	96.031.0353.1	85
96.022.2151.4	72	96.024.0051.4	70	96.031.0353.9	85
96.022.2153.0	72	96.024.0053.0	70	96.031.0355.7	85
96.022.2153.1	72	96.024.0053.1	70	96.031.0553.9	84
96.022.4050.8	68	96.024.0150.8	70	96.031.0555.7	84
96.022.4051.4	68	96.024.0151.4	70	96.031.1051.4	91
96.022.4053.0	68	96.024.0153.0	70	96.031.1053.0	91
96.022.4053.1	68	96.024.0153.1	70	96.031.1053.1	91
96.022.4055.7	68	96.024.0950.8	71	96.031.1053.9	91
96.022.4150.8	68	96.024.0951.4	71	96.031.1055.7	91
96.022.4151.4	68	96.024.2050.8	73	96.031.2051.4	89
96.022.4153.0	68	96.024.2051.4	73	96.031.2053.0	89
96.022.4153.1	68	96.024.2053.0	73	96.031.2053.1	89
96.022.4155.7	68	96.024.2053.1	73	96.031.2053.9	89
96.022.4350.8*	69	96.024.2250.8	74	96.031.2055.7	89
96.022.4451.4	68	96.024.2251.4	74	96.031.2151.4	87
96.022.4453.0	68	96.024.2253.0	74	96.031.2153.0	87
96.022.4453.1	68	96.024.2253.1	74	96.031.2153.1	87
96.022.4950.8	68	96.024.4050.8	69	96.031.2153.9	87
96.022.4951.4	68	96.024.4051.4	69	96.031.2155.7	87
96.022.5050.8	74	96.024.4053.0	69	96.031.4051.4	82
96.022.5051.4	74	96.024.4053.1	69	96.031.4053.0	82
96.022.5053.0	74	96.024.4150.8	69	96.031.4053.1	82
96.022.5053.1	74	96.024.4151.4	69	96.031.4053.9	82
96.022.6050.8	73	96.024.4153.0	69	96.031.4054.3	154
96.022.6051.4	73	96.024.4153.1	69	96.031.4055.7	82
96.022.6053.0	73	96.024.4950.8	69	96.031.4151.4	82
96.022.6053.1	73	96.024.4951.4	69	96.031.4153.0	82



INDEX

PART NUMBER | PAGE

96.031.4153.1	82	96.032.4051.4	82	96.033.4153.0	82
96.031.4153.9	82	96.032.4053.0	82	96.033.4153.1	82
96.031.4154.3	154	96.032.4053.1	82	96.033.4153.9	82
96.031.4155.7	82	96.032.4053.9	82	96.033.4154.3	154
96.031.4251.4*	83	96.032.4054.3	154	96.033.4155.7	82
96.031.4253.0*	83	96.032.4055.7	82	96.033.6051.4	89
96.031.4253.1*	83	96.032.4151.4	82	96.033.6053.0	89
96.031.4253.9*	83	96.032.4153.0	82	96.033.6053.1	89
96.031.4254.3*	154	96.032.4153.1	82	96.033.6053.9	89
96.031.4255.7*	83	96.032.4153.9	82	96.033.6054.3	156
96.031.4353.0*	83	96.032.4154.3	154	96.033.6055.7	89
96.031.4353.1*	83	96.032.4155.7	82	96.033.6251.4	91
96.031.4353.9*	83	96.032.4251.4*	83	96.033.6253.0	91
96.031.4355.7*	83	96.032.4253.0*	83	96.033.6253.1	91
96.031.4551.4	82	96.032.4253.1*	83	96.033.6253.9	91
96.031.4553.0	82	96.032.4353.0*	83	96.033.6254.3	157
96.031.4553.1	82	96.032.4353.1*	83	96.033.6255.7	91
96.031.4553.9	82	96.032.4551.4	82	96.034.0051.4	84
96.031.4554.3	154	96.032.4553.0	82	96.034.0053.0	84
96.031.4555.7	82	96.032.4553.1	82	96.034.0053.1	84
96.031.5051.4	91	96.032.4553.9	82	96.034.0053.9	84
96.031.5053.0	91	96.032.4554.3	154	96.034.0055.7	84
96.031.5053.1	91	96.032.4555.7	82	96.034.0151.4	84
96.031.5053.9	91	96.032.5051.4	91	96.034.0153.0	84
96.031.5054.3	157	96.032.5053.0	91	96.034.0153.1	84
96.031.5055.7	91	96.032.5053.1	91	96.034.0153.9	84
96.031.6051.4	89	96.032.5053.9	91	96.034.0155.7	84
96.031.6053.0	89	96.032.5054.3	157	96.034.2051.4	89
96.031.6053.1	89	96.032.5055.7	91	96.034.2053.0	89
96.031.6053.9	89	96.032.6051.4	89	96.034.2053.1	89
96.031.6054.3	156	96.032.6053.0	89	96.034.2053.9	89
96.031.6055.7	89	96.032.6053.1	89	96.034.2055.7	89
96.031.6151.4	87	96.032.6053.9	89	96.034.2251.4	91
96.031.6153.0	87	96.032.6054.3	156	96.034.2253.0	91
96.031.6153.1	87	96.032.6055.7	89	96.034.2253.1	91
96.031.6153.9	87	96.032.6151.4	87	96.034.2253.9	91
96.031.6154.3	155	96.032.6153.0	87	96.034.2255.7	91
96.031.6155.7	87	96.032.6153.1	87	96.034.4051.4	82
96.032.0051.4	84	96.032.6153.9	87	96.034.4053.0	82
96.032.0053.0	84	96.032.6154.3	155	96.034.4053.1	82
96.032.0053.1	84	96.032.6155.7	87	96.034.4053.9	82
96.032.0053.9	84	96.033.0051.4	84	96.034.4054.3	154
96.032.0055.7	84	96.033.0053.0	84	96.034.4055.7	82
96.032.0151.4	84	96.033.0053.1	84	96.034.4151.4	82
96.032.0153.0	84	96.033.0053.9	84	96.034.4153.0	82
96.032.0153.1	84	96.033.0055.7	84	96.034.4153.1	82
96.032.0153.9	84	96.033.0151.4	84	96.034.4153.9	82
96.032.0155.7	84	96.033.0153.0	84	96.034.4154.3	154
96.032.0251.4	84	96.033.0153.1	84	96.034.4155.7	82
96.032.0253.1	84	96.033.0153.9	84	96.034.6051.4	89
96.032.0351.4	85	96.033.0155.7	84	96.034.6053.0	89
96.032.0553.9	84	96.033.2051.4	89	96.034.6053.1	89
96.032.0555.7	84	96.033.2053.0	89	96.034.6053.9	89
96.032.1051.4	91	96.033.2053.1	89	96.034.6054.3	156
96.032.1053.0	91	96.033.2053.9	89	96.034.6055.7	89
96.032.1053.1	91	96.033.2055.7	89	96.034.6251.4	91
96.032.1053.9	91	96.033.2251.4	91	96.034.6253.0	91
96.032.1055.7	91	96.033.2253.0	91	96.034.6253.1	91
96.032.2051.4	89	96.033.2253.1	91	96.034.6253.9	91
96.032.2053.0	89	96.033.2253.9	91	96.034.6254.3	157
96.032.2053.1	89	96.033.2255.7	91	96.034.6255.7	91
96.032.2053.9	89	96.033.4051.4	82	96.035.2153.0	87
96.032.2055.7	89	96.033.4053.0	82	96.035.2153.1	87
96.032.2151.4	87	96.033.4053.1	82	96.035.6153.0	87
96.032.2153.0	87	96.033.4053.9	82	96.035.6153.1	87
96.032.2153.1	87	96.033.4054.3	154	96.036.2153.0	87
96.032.2153.9	87	96.033.4055.7	82	96.036.2153.1	87
96.032.2155.7	87	96.033.4151.4	82	96.036.6153.0	87

INDEX

PART NUMBER | PAGE

96.036.6153.1	87	96.050.3153.1	120	96.052.4251.4*	114
96.040.0151.4	108	96.050.4153.1	120	96.052.4253.0*	114
96.041.4051.4	102	96.050.5153.1	120	96.052.4253.1*	114
96.041.4053.0	102	96.050.6153.1	120	96.052.4253.6*	114
96.041.4053.1	102	96.050.7153.1	120	96.052.4353.0*	115
96.041.4151.4	102	96.051.4051.4	114	96.052.4353.1*	115
96.041.4153.0	102	96.051.4053.0	114	96.052.4353.6*	115
96.041.4153.1	102	96.051.4053.1	114	96.052.4551.4	114
96.041.4253.0*	102	96.051.4053.6	114	96.052.4553.0	114
96.041.4253.1*	102	96.051.4053.8	114	96.052.4553.1	114
96.041.4353.0*	103	96.051.4053.9	114	96.052.4553.6	114
96.041.4353.1*	103	96.051.4054.3	160	96.052.4553.8	114
96.041.4553.0	102	96.051.4151.4	114	96.052.4553.9	114
96.041.4553.1	102	96.051.4153.0	114	96.052.4554.3	160
96.041.5051.4	107	96.051.4153.1	114	96.052.5051.4	119
96.041.5053.0	107	96.051.4153.6	114	96.052.5053.0	119
96.041.5053.1	107	96.051.4153.8	114	96.052.5053.1	119
96.041.6051.4	106	96.051.4153.9	114	96.052.5053.6	119
96.041.6053.0	106	96.051.4154.3	160	96.052.5053.9	119
96.041.6053.1	106	96.051.4251.4*	114	96.052.5054.3	164
96.041.6153.0	105	96.051.4253.0*	114	96.052.6051.4	118
96.041.6153.1	105	96.051.4253.1*	114	96.052.6053.0	118
96.042.4051.4	102	96.051.4253.6*	114	96.052.6053.1	118
96.042.4053.0	102	96.051.4253.9*	114	96.052.6053.6	118
96.042.4053.1	102	96.051.4351.4*	115	96.052.6053.9	118
96.042.4151.4	102	96.051.4353.0*	115	96.052.6054.3	163
96.042.4153.0	102	96.051.4353.1*	115	96.052.6151.4	117
96.042.4153.1	102	96.051.4353.6*	115	96.052.6153.0	117
96.042.4353.1*	103	96.051.4353.9*	115	96.052.6153.1	117
96.042.4553.0	102	96.051.4551.4	114	96.052.6153.6	117
96.042.4553.1	102	96.051.4553.0	114	96.052.6153.9	117
96.042.5051.4	107	96.051.4553.1	114	96.052.6154.3	162
96.042.5053.0	107	96.051.4553.6	114	96.053.4051.4	114
96.042.5053.1	107	96.051.4553.8	114	96.053.4053.0	114
96.042.6051.4	106	96.051.4553.9	114	96.053.4053.1	114
96.042.6053.0	106	96.051.4554.3	160	96.053.4053.6	114
96.042.6053.1	106	96.051.5051.4	119	96.053.4053.9	114
96.042.6153.0	105	96.051.5053.0	119	96.053.4151.4	114
96.042.6153.1	105	96.051.5053.1	119	96.053.4153.0	114
96.043.4053.0	102	96.051.5053.6	119	96.053.4153.1	114
96.043.4053.1	102	96.051.5053.9	119	96.053.4153.6	114
96.043.4153.0	102	96.051.5054.3	164	96.053.4153.9	114
96.043.4153.1	102	96.051.6051.4	118	96.053.6051.4	118
96.043.6053.0	106	96.051.6053.0	118	96.053.6053.0	118
96.043.6053.1	106	96.051.6053.1	118	96.053.6053.1	118
96.043.6251.4	107	96.051.6053.6	118	96.053.6053.6	118
96.043.6253.0	107	96.051.6053.9	118	96.053.6053.9	118
96.043.6253.1	107	96.051.6054.3	163	96.053.6054.3	163
96.044.4053.0	102	96.051.6151.4	117	96.053.6251.4	119
96.044.4053.1	102	96.051.6153.0	117	96.053.6253.0	119
96.044.4153.0	102	96.051.6153.1	117	96.053.6253.1	119
96.044.4153.1	102	96.051.6153.6	117	96.053.6253.6	119
96.044.6051.4	106	96.051.6153.9	117	96.053.6253.9	119
96.044.6053.0	106	96.051.6154.3	162	96.053.6254.3	164
96.044.6053.1	106	96.052.4051.4	114	96.054.4051.4	114
96.044.6251.4	107	96.052.4053.0	114	96.054.4053.0	114
96.044.6253.0	107	96.052.4053.1	114	96.054.4053.1	114
96.044.6253.1	107	96.052.4053.6	114	96.054.4053.6	114
96.045.6153.0	105	96.052.4053.8	114	96.054.4053.9	114
96.045.6153.1	105	96.052.4053.9	114	96.054.4151.4	114
96.046.6153.0	105	96.052.4054.3	160	96.054.4153.0	114
96.046.6153.1	105	96.052.4151.4	114	96.054.4153.1	114
96.050.0153.0	120	96.052.4153.0	114	96.054.4153.6	114
96.050.0153.1	120	96.052.4153.1	114	96.054.4153.9	114
96.050.0153.6	120	96.052.4153.6	114	96.054.6051.4	118
96.050.0153.9	120	96.052.4153.8	114	96.054.6053.0	118
96.050.1153.1	120	96.052.4153.9	114	96.054.6053.1	118
96.050.2153.1	120	96.052.4154.3	160	96.054.6053.6	118



INDEX

PART NUMBER | PAGE

96.054.6053.9	118	96.071.6053.6	149	96.074.4153.6	144
96.054.6054.3	163	96.071.6053.9	149	96.074.4153.9	144
96.054.6251.4	119	96.071.6153.0	147	96.074.6053.0	149
96.054.6253.0	119	96.071.6153.1	147	96.074.6053.1	149
96.054.6253.1	119	96.071.6153.6	147	96.074.6053.6	149
96.054.6253.6	119	96.071.6153.9	147	96.074.6053.9	149
96.054.6253.9	119	96.071.6253.0	151	96.074.6253.0	151
96.054.6254.3	164	96.071.6253.1	151	96.074.6253.1	151
96.055.6153.0	117	96.071.6253.6	151	96.074.6253.6	151
96.055.6153.1	117	96.071.6253.9	151	96.074.6253.9	151
96.055.6153.6	117	96.071.6353.1	153	96.075.6153.0	147
96.056.6153.0	117	96.071.6353.6	153	96.075.6153.1	147
96.056.6153.1	117	96.071.6353.9	153	96.075.6153.6	147
96.056.6153.6	117	96.072.4053.0	142	96.075.6153.9	147
96.061.4053.6	130	96.072.4053.1	142	96.076.6153.0	147
96.061.4153.6	131	96.072.4053.6	142	96.076.6153.1	147
96.061.4253.6*	132	96.072.4053.9	142	96.076.6153.6	147
96.061.4353.6*	132	96.072.4153.0	143	96.076.6153.9	147
96.061.4553.6	131	96.072.4153.1	143	96.131.0053.0	86
96.061.4853.6	130	96.072.4153.6	143	96.131.0053.1	86
96.061.6053.6	137	96.072.4153.9	143	96.131.0055.7	86
96.061.6153.6	135	96.072.4253.1*	144	96.131.0153.0	86
96.061.6253.6	139	96.072.4253.6*	144	96.131.0153.1	86
96.061.6353.6	141	96.072.4553.0	143	96.131.0155.7	86
96.062.4053.6	130	96.072.4553.1	143	96.131.1053.0	92
96.062.4153.6	131	96.072.4553.6	143	96.131.1053.1	92
96.062.4553.6	131	96.072.4553.9	143	96.131.1055.7	92
96.062.4853.6	130	96.072.4853.0	142	96.131.2053.0	90
96.062.6053.6	137	96.072.4853.1	142	96.131.2053.1	90
96.062.6153.6	135	96.072.4853.6	142	96.131.2153.0	88
96.062.6253.6	139	96.072.4853.9	142	96.131.2153.1	88
96.062.6353.6	141	96.072.6053.0	149	96.131.4553.0	86
96.063.4053.6	132	96.072.6053.1	149	96.131.4553.1	86
96.063.4153.6	132	96.072.6053.6	149	96.132.0053.0	86
96.063.6053.6	137	96.072.6053.9	149	96.132.0053.1	86
96.063.6253.6	139	96.072.6153.0	147	96.132.0055.7	86
96.064.4053.6	132	96.072.6153.1	147	96.132.0153.0	86
96.064.4153.6	132	96.072.6153.6	147	96.132.0153.1	86
96.064.6053.6	137	96.072.6153.9	147	96.132.1053.0	92
96.064.6253.6	139	96.072.6253.0	151	96.132.1053.1	92
96.065.6153.6	135	96.072.6253.1	151	96.132.1055.7	92
96.066.6153.6	135	96.072.6253.6	151	96.132.2053.0	90
96.071.4053.0	142	96.072.6253.9	151	96.132.2053.1	90
96.071.4053.1	142	96.072.6353.1	153	96.132.2153.0	88
96.071.4053.6	142	96.072.6353.6	153	96.132.2153.1	88
96.071.4053.9	142	96.072.6353.9	153	96.132.4553.0	86
96.071.4153.0	143	96.073.4053.0	144	96.132.4553.1	86
96.071.4153.1	143	96.073.4053.1	144	96.133.0053.0	86
96.071.4153.6	143	96.073.4053.6	144	96.133.0153.0	86
96.071.4153.9	143	96.073.4053.9	144	96.133.0153.1	86
96.071.4253.0*	144	96.073.4153.0	144	96.133.2053.0	90
96.071.4253.1*	144	96.073.4153.1	144	96.133.2053.1	90
96.071.4253.6*	144	96.073.4153.6	144	96.133.2253.0	92
96.071.4253.9*	144	96.073.4153.9	144	96.133.2253.1	92
96.071.4353.0*	144	96.073.6053.0	149	96.134.0053.0	86
96.071.4353.1*	144	96.073.6053.1	149	96.134.0153.0	86
96.071.4353.6*	144	96.073.6053.6	149	96.134.0153.1	86
96.071.4353.9*	144	96.073.6053.9	149	96.134.2053.0	90
96.071.4553.0	143	96.073.6253.0	151	96.134.2053.1	90
96.071.4553.1	143	96.073.6253.1	151	96.134.2253.0	92
96.071.4553.6	143	96.073.6253.6	151	96.134.2253.1	92
96.071.4553.9	143	96.073.6253.9	151	96.135.2153.0	88
96.071.4853.0	142	96.074.4053.0	144	96.135.2153.1	88
96.071.4853.1	142	96.074.4053.1	144	96.136.2153.0	88
96.071.4853.6	142	96.074.4053.6	144	96.136.2153.1	88
96.071.4853.9	142	96.074.4053.9	144	96.141.0053.0	104
96.071.6053.0	149	96.074.4153.0	144	96.141.0053.1	104
96.071.6053.1	149	96.074.4153.1	144	96.141.0153.0	104

INDEX

PART NUMBER | PAGE

96.141.0153.1	104	96.152.0051.4	116	96.154.2253.1	119
96.141.0553.0	104	96.152.0053.0	116	96.154.2253.6	119
96.141.0553.1	104	96.152.0053.1	116	96.154.2253.9	119
96.141.1053.0	107	96.152.0053.6	116	96.155.2153.0	117
96.141.1053.1	107	96.152.0053.9	116	96.156.2153.0	117
96.141.2053.0	106	96.152.0151.4	116	96.161.0053.6	133
96.141.2053.1	106	96.152.0153.0	116	96.161.0153.6	133
96.141.2153.0	105	96.152.0153.1	116	96.161.0553.6	134
96.141.2153.1	105	96.152.0153.6	116	96.161.0853.6	133
96.142.0053.0	104	96.152.0153.9	116	96.161.2053.6	137
96.142.0053.1	104	96.152.0551.4	116	96.161.2153.6	135
96.142.0153.0	104	96.152.0553.0	116	96.161.2253.6	139
96.142.0153.1	104	96.152.0553.1	116	96.161.2353.6	141
96.142.0553.0	104	96.152.0553.6	116	96.162.0053.6	133
96.142.0553.1	104	96.152.0553.9	116	96.162.0153.6	133
96.142.1053.0	107	96.152.1051.4	119	96.162.0553.6	134
96.142.1053.1	107	96.152.1053.0	119	96.162.0853.6	133
96.142.2053.0	106	96.152.1053.1	119	96.162.2053.6	137
96.142.2053.1	106	96.152.1053.6	119	96.162.2153.6	135
96.142.2153.0	105	96.152.1053.8	119	96.162.2253.6	139
96.142.2153.1	105	96.152.1053.9	119	96.162.2353.6	141
96.143.0053.0	104	96.152.2051.4	118	96.163.0053.6	134
96.143.0053.1	104	96.152.2053.0	118	96.163.0153.6	134
96.143.0153.0	104	96.152.2053.1	118	96.163.2053.6	138
96.143.0153.1	104	96.152.2053.6	118	96.163.2253.6	140
96.143.2053.0	106	96.152.2053.9	118	96.164.0053.6	134
96.143.2053.1	106	96.152.2151.4	117	96.164.0153.6	134
96.143.2253.0	107	96.152.2153.0	117	96.164.2053.6	138
96.143.2253.1	107	96.152.2153.1	117	96.164.2253.6	140
96.144.0053.0	104	96.152.2153.6	117	96.165.2153.6	136
96.144.0053.1	104	96.152.2153.9	117	96.166.2153.6	136
96.144.0153.0	104	96.153.0051.4	116	96.171.0053.0	145
96.144.0153.1	104	96.153.0053.0	116	96.171.0053.1	145
96.144.2053.0	106	96.153.0053.1	116	96.171.0053.6	145
96.144.2053.1	106	96.153.0053.6	116	96.171.0053.9	145
96.144.2253.0	107	96.153.0053.9	116	96.171.0153.0	145
96.144.2253.1	107	96.153.0151.4	116	96.171.0153.1	145
96.151.0051.4	116	96.153.0153.0	116	96.171.0153.6	145
96.151.0053.0	116	96.153.0153.1	116	96.171.0153.9	145
96.151.0053.1	116	96.153.0153.6	116	96.171.0553.0	146
96.151.0053.6	116	96.153.0153.9	116	96.171.0553.1	146
96.151.0053.9	116	96.153.2051.4	118	96.171.0553.6	146
96.151.0151.4	116	96.153.2053.0	118	96.171.0553.9	146
96.151.0153.0	116	96.153.2053.1	118	96.171.0853.0	145
96.151.0153.1	116	96.153.2053.6	118	96.171.0853.1	145
96.151.0153.6	116	96.153.2053.9	118	96.171.0853.6	145
96.151.0153.9	116	96.153.2251.4	119	96.171.0853.9	145
96.151.0551.4	116	96.153.2253.0	119	96.171.2053.0	149
96.151.0553.0	116	96.153.2253.1	119	96.171.2053.1	149
96.151.0553.1	116	96.153.2253.6	119	96.171.2053.6	149
96.151.0553.6	116	96.153.2253.9	119	96.171.2053.9	149
96.151.0553.9	116	96.154.0051.4	116	96.171.2153.0	147
96.151.1051.4	119	96.154.0053.0	116	96.171.2153.1	147
96.151.1053.0	119	96.154.0053.1	116	96.171.2153.6	147
96.151.1053.1	119	96.154.0053.6	116	96.171.2153.9	147
96.151.1053.6	119	96.154.0053.9	116	96.171.2253.0	151
96.151.1053.8	119	96.154.0151.4	116	96.171.2253.1	151
96.151.1053.9	119	96.154.0153.0	116	96.171.2253.6	151
96.151.2051.4	118	96.154.0153.1	116	96.171.2253.9	151
96.151.2053.0	118	96.154.0153.6	116	96.171.2353.1	153
96.151.2053.1	118	96.154.0153.9	116	96.171.2353.6	153
96.151.2053.6	118	96.154.2051.4	118	96.171.2353.9	153
96.151.2053.9	118	96.154.2053.0	118	96.172.0053.0	145
96.151.2151.4	117	96.154.2053.1	118	96.172.0053.1	145
96.151.2153.0	117	96.154.2053.6	118	96.172.0053.6	145
96.151.2153.1	117	96.154.2053.9	118	96.172.0053.9	145
96.151.2153.6	117	96.154.2251.4	119	96.172.0153.0	145
96.151.2153.9	117	96.154.2253.0	119	96.172.0153.1	145



INDEX

PART NUMBER | PAGE

96.172.0153.6	145	96.222.1004.1	77	96.222.4098.8	77
96.172.0153.9	145	96.222.1007.4	77	96.222.5000.1	76
96.172.0553.0	146	96.222.1008.4	77	96.222.5002.4	76
96.172.0553.1	146	96.222.1030.1	76	96.222.5003.1	77
96.172.0553.6	146	96.222.1032.4	76	96.222.5004.1	77
96.172.0553.9	146	96.222.1033.1	77	96.222.5007.4	77
96.172.0853.0	145	96.222.1034.1	77	96.222.5008.4	77
96.172.0853.1	145	96.222.1037.4	77	96.222.5030.1	76
96.172.0853.6	145	96.222.1038.4	77	96.222.5032.4	76
96.172.0853.9	145	96.222.1092.4	76	96.222.5033.1	77
96.172.2053.0	149	96.222.1092.8	76	96.222.5034.1	77
96.172.2053.1	149	96.222.1097.4	77	96.222.5037.4	77
96.172.2053.6	149	96.222.1097.8	77	96.222.5038.4	77
96.172.2053.9	149	96.222.1098.4	77	96.222.5092.4	76
96.172.2153.0	147	96.222.1098.8	77	96.222.5092.8	76
96.172.2153.1	147	96.222.2000.1	76	96.222.5097.4	77
96.172.2153.6	147	96.222.2002.4	76	96.222.5097.8	77
96.172.2153.9	147	96.222.2003.1	77	96.222.5098.4	77
96.172.2253.0	151	96.222.2004.1	77	96.222.5098.8	77
96.172.2253.1	151	96.222.2007.4	77	96.222.6000.1	76
96.172.2253.6	151	96.222.2008.4	77	96.222.6002.4	76
96.172.2253.9	151	96.222.2030.1	76	96.222.6003.1	77
96.172.2353.1	153	96.222.2032.4	76	96.222.6004.1	77
96.172.2353.6	153	96.222.2033.1	77	96.222.6007.4	77
96.172.2353.9	153	96.222.2034.1	77	96.222.6008.4	77
96.173.0053.0	146	96.222.2037.4	77	96.222.6030.1	76
96.173.0053.1	146	96.222.2038.4	77	96.222.6032.4	76
96.173.0053.6	146	96.222.2092.4	76	96.222.6033.1	77
96.173.0053.9	146	96.222.2092.8	76	96.222.6034.1	77
96.173.0153.0	146	96.222.2097.4	77	96.222.6037.4	77
96.173.0153.1	146	96.222.2097.8	77	96.222.6038.4	77
96.173.0153.6	146	96.222.2098.4	77	96.222.6092.4	76
96.173.0153.9	146	96.222.2098.8	77	96.222.6092.8	76
96.173.2053.0	150	96.222.3000.1	76	96.222.6097.4	77
96.173.2053.1	150	96.222.3002.4	76	96.222.6097.8	77
96.173.2053.6	150	96.222.3003.1	77	96.222.6098.4	77
96.173.2053.9	150	96.222.3004.1	77	96.222.6098.8	77
96.173.2253.0	152	96.222.3007.4	77	96.222.7000.1	76
96.173.2253.1	152	96.222.3008.4	77	96.222.7002.4	76
96.173.2253.6	152	96.222.3030.1	76	96.222.7003.1	77
96.173.2253.9	152	96.222.3032.4	76	96.222.7004.1	77
96.174.0053.0	146	96.222.3033.1	77	96.222.7007.4	77
96.174.0053.1	146	96.222.3034.1	77	96.222.7008.4	77
96.174.0053.6	146	96.222.3037.4	77	96.222.7030.1	76
96.174.0053.9	146	96.222.3038.4	77	96.222.7032.4	76
96.174.0153.0	146	96.222.3092.4	76	96.222.7033.1	77
96.174.0153.1	146	96.222.3092.8	76	96.222.7034.1	77
96.174.0153.6	146	96.222.3097.4	77	96.222.7037.4	77
96.174.0153.9	146	96.222.3097.8	77	96.222.7038.4	77
96.174.2053.0	150	96.222.3098.4	77	96.222.7092.4	76
96.174.2053.1	150	96.222.3098.8	77	96.222.7092.8	76
96.174.2053.6	150	96.222.4000.1	76	96.222.7097.4	77
96.174.2053.9	150	96.222.4002.4	76	96.222.7097.8	77
96.174.2253.0	152	96.222.4003.1	77	96.222.7098.4	77
96.174.2253.1	152	96.222.4004.1	77	96.222.7098.8	77
96.174.2253.6	152	96.222.4007.4	77	96.222.8000.1	76
96.174.2253.9	152	96.222.4008.4	77	96.222.8002.4	76
96.175.2153.0	148	96.222.4030.1	76	96.222.8003.1	77
96.175.2153.1	148	96.222.4032.4	76	96.222.8004.1	77
96.175.2153.6	148	96.222.4033.1	77	96.222.8007.4	77
96.175.2153.9	148	96.222.4034.1	77	96.222.8008.4	77
96.176.2153.0	148	96.222.4037.4	77	96.222.8030.1	76
96.176.2153.1	148	96.222.4038.4	77	96.222.8032.4	76
96.176.2153.6	148	96.222.4092.4	76	96.222.8033.1	77
96.176.2153.9	148	96.222.4092.8	76	96.222.8034.1	77
96.222.1000.1	76	96.222.4097.4	77	96.222.8037.4	77
96.222.1002.4	76	96.222.4097.8	77	96.222.8038.4	77
96.222.1003.1	77	96.222.4098.4	77	96.222.8092.4	76

INDEX

PART NUMBER | PAGE

96.222.8092.8	76	96.232.10D4.1	96	96.232.4000.1	94
96.222.8097.4	77	96.232.10D5.7	95	96.232.4001.7	94
96.222.8097.8	77	96.232.10D6.7	96	96.232.4003.1	95
96.222.8098.4	77	96.232.20B0.1	94	96.232.4004.1	96
96.222.8098.8	77	96.232.20B1.7	94	96.232.4005.7	95
96.223.1092.4	79	96.232.20B3.1	95	96.232.4006.7	96
96.223.1092.8	79	96.232.20B4.1	96	96.232.4030.1	94
96.223.1097.4	79	96.232.20B5.7	95	96.232.4031.7	94
96.223.1097.8	79	96.232.20B6.7	96	96.232.4033.1	95
96.223.1098.4	80	96.232.20C0.1	94	96.232.4034.1	96
96.223.1098.8	80	96.232.20C1.7	94	96.232.4035.7	95
96.223.2092.4	79	96.232.20C3.1	95	96.232.4036.7	96
96.223.2092.8	79	96.232.20C4.1	96	96.232.4050.1	94
96.223.2097.4	79	96.232.20C5.7	95	96.232.4053.1	95
96.223.2097.8	79	96.232.20C6.7	96	96.232.4054.1	96
96.223.2098.4	80	96.232.20D0.1	94	96.232.5000.1	94
96.223.2098.8	80	96.232.20D1.7	94	96.232.5001.7	94
96.223.3092.4	79	96.232.20D3.1	95	96.232.5003.1	95
96.223.3092.8	79	96.232.20D4.1	96	96.232.5004.1	96
96.223.3097.4	79	96.232.20D5.7	95	96.232.5005.7	95
96.223.3097.8	79	96.232.20D6.7	96	96.232.5006.7	96
96.223.3098.4	80	96.232.30B0.1	94	96.232.5030.1	94
96.223.3098.8	80	96.232.40B0.1	94	96.232.5031.7	94
96.223.4092.4	79	96.232.50B0.1	94	96.232.5033.1	95
96.223.4092.8	79	96.232.1000.1	94	96.232.5034.1	96
96.223.4097.4	79	96.232.1001.7	94	96.232.5035.7	95
96.223.4097.8	79	96.232.1003.1	95	96.232.5036.7	96
96.223.4098.4	80	96.232.1004.1	96	96.232.5050.1	94
96.223.4098.8	80	96.232.1005.7	95	96.232.5053.1	95
96.223.5092.4	79	96.232.1006.7	96	96.232.5054.1	96
96.223.5092.8	79	96.232.1030.1	94	96.232.6000.1	94
96.223.5097.4	79	96.232.1031.7	94	96.232.6001.7	94
96.223.5097.8	79	96.232.1033.1	95	96.232.6003.1	95
96.223.5098.4	80	96.232.1034.1	96	96.232.6004.1	96
96.223.5098.8	80	96.232.1035.7	95	96.232.6005.7	95
96.223.6092.4	79	96.232.1036.7	96	96.232.6006.7	96
96.223.6092.8	79	96.232.1050.1	94	96.232.6030.1	94
96.223.6097.4	79	96.232.1053.1	95	96.232.6031.7	94
96.223.6097.8	79	96.232.1054.1	96	96.232.6033.1	95
96.223.6098.4	80	96.232.2000.1	94	96.232.6034.1	96
96.223.6098.8	80	96.232.2001.7	94	96.232.6035.7	95
96.223.7092.4	79	96.232.2003.1	95	96.232.6036.7	96
96.223.7092.8	79	96.232.2004.1	96	96.232.6050.1	94
96.223.7097.4	79	96.232.2005.7	95	96.232.6053.1	95
96.223.7097.8	79	96.232.2006.7	96	96.232.6054.1	96
96.223.7098.4	80	96.232.2030.1	94	96.232.7000.1	94
96.223.7098.8	80	96.232.2031.7	94	96.232.7001.7	94
96.223.8092.4	79	96.232.2033.1	95	96.232.7003.1	95
96.223.8092.8	79	96.232.2034.1	96	96.232.7004.1	96
96.223.8097.4	79	96.232.2035.7	95	96.232.7005.7	95
96.223.8097.8	79	96.232.2036.7	96	96.232.7006.7	96
96.223.8098.4	80	96.232.2050.1	94	96.232.7030.1	94
96.223.8098.8	80	96.232.2053.1	95	96.232.7031.7	94
96.232.10B0.1	94	96.232.2054.1	96	96.232.7033.1	95
96.232.10B1.7	94	96.232.3000.1	94	96.232.7034.1	96
96.232.10B3.1	95	96.232.3001.7	94	96.232.7035.7	95
96.232.10B4.1	96	96.232.3003.1	95	96.232.7036.7	96
96.232.10B5.7	95	96.232.3004.1	96	96.232.7050.1	94
96.232.10B6.7	96	96.232.3005.7	95	96.232.7053.1	95
96.232.10C0.1	94	96.232.3006.7	96	96.232.7054.1	96
96.232.10C1.7	94	96.232.3030.1	94	96.232.8000.1	94
96.232.10C3.1	95	96.232.3031.7	94	96.232.8001.7	94
96.232.10C4.1	96	96.232.3033.1	95	96.232.8003.1	95
96.232.10C5.7	95	96.232.3034.1	96	96.232.8004.1	96
96.232.10C6.7	96	96.232.3036.7	96	96.232.8005.7	95
96.232.10D0.1	94	96.232.3050.1	94	96.232.8006.7	96
96.232.10D1.7	94	96.232.3053.1	95	96.232.8030.1	94
96.232.10D3.1	95	96.232.3054.1	96	96.232.8031.7	94



INDEX

PART NUMBER | PAGE

96.232.8033.1	95	96.233.2031.7	99	96.233.7004.1	101
96.232.8034.1	96	96.233.2033.1	100	96.233.7005.7	100
96.232.8035.7	95	96.233.2034.1	101	96.233.7006.7	101
96.232.8036.7	96	96.233.2035.7	100	96.233.7030.1	99
96.232.8050.1	94	96.233.2036.7	101	96.233.7031.7	99
96.232.8053.1	95	96.233.2060.1	99	96.233.7033.1	100
96.232.8054.1	96	96.233.2063.1	100	96.233.7034.1	101
96.233.10B0.1	99	96.233.3000.1	99	96.233.7035.7	100
96.233.10B1.7	99	96.233.3001.7	99	96.233.7036.7	101
96.233.10B3.1	100	96.233.3003.1	100	96.233.7060.1	99
96.233.10B4.1	101	96.233.3004.1	101	96.233.7063.1	100
96.233.10B5.7	100	96.233.3005.7	100	96.233.8000.1	99
96.233.10B6.7	101	96.233.3006.7	101	96.233.8001.7	99
96.233.10C0.1	99	96.233.3030.1	99	96.233.8003.1	100
96.233.10C1.7	99	96.233.3031.7	99	96.233.8004.1	101
96.233.10C3.1	100	96.233.3033.1	100	96.233.8005.7	100
96.233.10C4.1	101	96.233.3034.1	101	96.233.8006.7	101
96.233.10C5.7	100	96.233.3035.7	100	96.233.8030.1	99
96.233.10C6.7	101	96.233.3036.7	101	96.233.8031.7	99
96.233.10D0.1	99	96.233.3060.1	99	96.233.8033.1	100
96.233.10D1.7	99	96.233.3063.1	100	96.233.8034.1	101
96.233.10D3.1	100	96.233.3064.1	101	96.233.8035.7	100
96.233.10D4.1	101	96.233.4000.1	99	96.233.8036.7	101
96.233.10D5.7	100	96.233.4001.7	99	96.233.8060.1	99
96.233.10D6.7	101	96.233.4003.1	100	96.233.8063.1	100
96.233.20B0.1	99	96.233.4004.1	101	96.442.1000.1	109
96.233.20B1.7	99	96.233.4005.7	100	96.442.1003.1	109
96.233.20B3.1	100	96.233.4006.7	101	96.442.1004.1	110
96.233.20B4.1	101	96.233.4030.1	99	96.442.1030.1	109
96.233.20B5.7	100	96.233.4031.7	99	96.442.1033.1	109
96.233.20B6.7	101	96.233.4033.1	100	96.442.1034.1	110
96.233.20C0.1	99	96.233.4034.1	101	96.442.2000.1	109
96.233.20C1.7	99	96.233.4035.7	100	96.442.2003.1	109
96.233.20C3.1	100	96.233.4036.7	101	96.442.2004.1	110
96.233.20C4.1	101	96.233.4060.1	99	96.442.2030.1	109
96.233.20C5.7	100	96.233.4063.1	100	96.442.2033.1	109
96.233.20C6.7	101	96.233.5000.1	99	96.442.2034.1	110
96.233.20D0.1	99	96.233.5001.7	99	96.442.3000.1	109
96.233.20D1.7	99	96.233.5003.1	100	96.442.3003.1	109
96.233.20D3.1	100	96.233.5004.1	101	96.442.3004.1	110
96.233.20D4.1	101	96.233.5005.7	100	96.442.3030.1	109
96.233.20D5.7	100	96.233.5006.7	101	96.442.3033.1	109
96.233.20D6.7	101	96.233.5030.1	99	96.442.3034.1	110
96.233.30B0.1	99	96.233.5031.7	99	96.442.4000.1	109
96.233.50D0.1	99	96.233.5033.1	100	96.442.4003.1	109
96.233.60D0.1	99	96.233.5034.1	101	96.442.4004.1	110
96.233.1000.1	99	96.233.5035.7	100	96.442.4030.1	109
96.233.1001.7	99	96.233.5036.7	101	96.442.4033.1	109
96.233.1003.1	100	96.233.5060.1	99	96.442.4034.1	110
96.233.1004.1	101	96.233.5063.1	100	96.442.5000.1	109
96.233.1005.7	100	96.233.5064.1	101	96.442.5003.1	109
96.233.1006.7	101	96.233.6000.1	99	96.442.5004.1	110
96.233.1030.1	99	96.233.6001.7	99	96.442.5030.1	109
96.233.1031.7	99	96.233.6003.1	100	96.442.5033.1	109
96.233.1033.1	100	96.233.6004.1	101	96.442.5034.1	110
96.233.1034.1	101	96.233.6005.7	100	96.442.6000.1	109
96.233.1035.7	100	96.233.6006.7	101	96.442.6003.1	109
96.233.1036.7	101	96.233.6030.1	99	96.442.6004.1	110
96.233.1060.1	99	96.233.6031.7	99	96.442.6030.1	109
96.233.1063.1	100	96.233.6033.1	100	96.442.6033.1	109
96.233.1064.1	101	96.233.6034.1	101	96.442.6034.1	110
96.233.2000.1	99	96.233.6035.7	100	96.442.7000.1	109
96.233.2001.7	99	96.233.6036.7	101	96.442.7003.1	109
96.233.2003.1	100	96.233.6060.1	99	96.442.7004.1	110
96.233.2004.1	101	96.233.6063.1	100	96.442.7030.1	109
96.233.2005.7	100	96.233.7000.1	99	96.442.7033.1	109
96.233.2006.7	101	96.233.7001.7	99	96.442.7034.1	110
96.233.2030.1	99	96.233.7003.1	100	96.442.8000.1	109

INDEX

PART NUMBER | PAGE

96.442.8003.1	109	96.452.20B3.6	122	96.452.80B0.6	121
96.442.8004.1	110	96.452.20B4.1	123	96.452.80B3.1	122
96.442.8030.1	109	96.452.20B4.6	123	96.452.80B4.1	123
96.442.8033.1	109	96.452.20C0.1	121	96.452.80B4.6	123
96.442.8034.1	110	96.452.20C0.6	121	96.452.80C0.1	121
96.443.1000.1	111	96.452.20C3.1	122	96.452.80C0.6	121
96.443.1003.1	111	96.452.20C3.6	122	96.452.80C3.1	122
96.443.1004.1	112	96.452.20C4.1	123	96.452.80C4.1	123
96.443.1030.1	111	96.452.20C4.6	123	96.452.80C4.6	123
96.443.1033.1	111	96.452.30B0.1	121	96.452.1000.1	121
96.443.1034.1	112	96.452.30B0.6	121	96.452.1000.6	121
96.443.2000.1	111	96.452.30B3.1	122	96.452.1003.1	122
96.443.2003.1	111	96.452.30B3.6	122	96.452.1003.6	122
96.443.2004.1	112	96.452.30B4.1	123	96.452.1004.1	123
96.443.2030.1	111	96.452.30B4.6	123	96.452.1004.6	123
96.443.2033.1	111	96.452.30C0.1	121	96.452.1030.1	121
96.443.2034.1	112	96.452.30C0.6	121	96.452.1030.6	121
96.443.3000.1	111	96.452.30C3.1	122	96.452.1033.1	122
96.443.3003.1	111	96.452.30C3.6	122	96.452.1033.6	122
96.443.3004.1	112	96.452.30C4.1	123	96.452.1034.1	123
96.443.3030.1	111	96.452.30C4.6	123	96.452.1034.6	123
96.443.3033.1	111	96.452.40B0.1	121	96.452.1050.1	121
96.443.3034.1	112	96.452.40B0.6	121	96.452.1053.1	122
96.443.4000.1	111	96.452.40B3.1	122	96.452.1054.1	123
96.443.4003.1	111	96.452.40B3.6	122	96.452.2000.1	121
96.443.4004.1	112	96.452.40B4.1	123	96.452.2000.6	121
96.443.4030.1	111	96.452.40B4.6	123	96.452.2003.1	122
96.443.4033.1	111	96.452.40C0.1	121	96.452.2003.6	122
96.443.4034.1	112	96.452.40C0.6	121	96.452.2004.1	123
96.443.5000.1	111	96.452.40C3.1	122	96.452.2004.6	123
96.443.5003.1	111	96.452.40C3.6	122	96.452.2030.1	121
96.443.5004.1	112	96.452.40C4.1	123	96.452.2030.6	121
96.443.5030.1	111	96.452.40C4.6	123	96.452.2033.1	122
96.443.5033.1	111	96.452.50B0.1	121	96.452.2033.6	122
96.443.5034.1	112	96.452.50B0.6	121	96.452.2034.1	123
96.443.6000.1	111	96.452.50B3.1	122	96.452.2034.6	123
96.443.6003.1	111	96.452.50B3.6	122	96.452.2050.1	121
96.443.6004.1	112	96.452.50B4.1	123	96.452.2053.1	122
96.443.6030.1	111	96.452.50B4.6	123	96.452.2054.1	123
96.443.6033.1	111	96.452.50C0.1	121	96.452.3000.1	121
96.443.6034.1	112	96.452.50C0.6	121	96.452.3000.6	121
96.443.7000.1	111	96.452.50C3.1	122	96.452.3003.1	122
96.443.7003.1	111	96.452.50C3.6	122	96.452.3003.6	122
96.443.7004.1	112	96.452.50C4.1	123	96.452.3004.1	123
96.443.7030.1	111	96.452.50C4.6	123	96.452.3004.6	123
96.443.7033.1	111	96.452.60B0.1	121	96.452.3030.1	121
96.443.7034.1	112	96.452.60B0.6	121	96.452.3030.6	121
96.443.8000.1	111	96.452.60B3.1	122	96.452.3033.1	122
96.443.8003.1	111	96.452.60B3.6	122	96.452.3033.6	122
96.443.8004.1	112	96.452.60B4.1	123	96.452.3034.1	123
96.443.8030.1	111	96.452.60C0.1	121	96.452.3034.6	123
96.443.8033.1	111	96.452.60C0.6	121	96.452.3050.1	121
96.443.8034.1	112	96.452.60C3.1	122	96.452.3053.1	122
96.452.10B0.1	121	96.452.60C3.6	122	96.452.3054.1	123
96.452.10B0.6	121	96.452.60C4.1	123	96.452.4000.1	121
96.452.10B3.1	122	96.452.70B0.1	121	96.452.4000.6	121
96.452.10B3.6	122	96.452.70B0.6	121	96.452.4003.1	122
96.452.10B4.1	123	96.452.70B3.1	122	96.452.4003.6	122
96.452.10B4.6	123	96.452.70B3.6	122	96.452.4004.1	123
96.452.10C0.1	121	96.452.70B4.1	123	96.452.4004.6	123
96.452.10C0.6	121	96.452.70B4.6	123	96.452.4030.1	121
96.452.10C3.1	122	96.452.70C0.1	121	96.452.4030.6	121
96.452.10C3.6	122	96.452.70C0.6	121	96.452.4033.1	122
96.452.10C4.1	123	96.452.70C3.1	122	96.452.4033.6	122
96.452.10C4.6	123	96.452.70C3.6	122	96.452.4034.1	123
96.452.20B0.1	121	96.452.70C4.1	123	96.452.4034.6	123
96.452.20B0.6	121	96.452.70C4.6	123	96.452.4050.1	121
96.452.20B3.1	122	96.452.80B0.1	121	96.452.4053.1	122



INDEX

PART NUMBER | PAGE

96.452.4054.1	123	96.453.10C0.6	124	96.453.50B3.6	125
96.452.5000.1	121	96.453.10C3.1	125	96.453.50B4.1	126
96.452.5000.6	121	96.453.10C3.6	125	96.453.50B4.6	126
96.452.5003.1	122	96.453.10C4.1	126	96.453.50C0.1	124
96.452.5003.6	122	96.453.10C4.6	126	96.453.50C0.6	124
96.452.5004.1	123	96.453.10D0.1	124	96.453.50C3.1	125
96.452.5004.6	123	96.453.10D0.6	124	96.453.50C3.6	125
96.452.5030.1	121	96.453.10D3.1	125	96.453.50C4.1	126
96.452.5030.6	121	96.453.10D3.6	125	96.453.50C4.6	126
96.452.5033.1	122	96.453.10D4.1	126	96.453.50D0.1	124
96.452.5033.6	122	96.453.10D4.6	126	96.453.50D0.6	124
96.452.5034.1	123	96.453.20B0.1	124	96.453.50D3.1	125
96.452.5034.6	123	96.453.20B0.6	124	96.453.50D3.6	125
96.452.5050.1	121	96.453.20B3.1	125	96.453.50D4.1	126
96.452.5053.1	122	96.453.20B3.6	125	96.453.50D4.6	126
96.452.5054.1	123	96.453.20B4.1	126	96.453.60B0.1	124
96.452.6000.1	121	96.453.20B4.6	126	96.453.60B0.6	124
96.452.6000.6	121	96.453.20C0.1	124	96.453.60B3.1	125
96.452.6003.1	122	96.453.20C0.6	124	96.453.60B3.6	125
96.452.6003.6	122	96.453.20C3.1	125	96.453.60B4.1	126
96.452.6004.1	123	96.453.20C3.6	125	96.453.60C0.1	124
96.452.6004.6	123	96.453.20C4.1	126	96.453.60C0.6	124
96.452.6030.1	121	96.453.20C4.6	126	96.453.60C3.1	125
96.452.6030.6	121	96.453.20D0.1	124	96.453.60C3.6	125
96.452.6033.1	122	96.453.20D0.6	124	96.453.60C4.1	126
96.452.6033.6	122	96.453.20D3.1	125	96.453.60D0.1	124
96.452.6034.1	123	96.453.20D3.6	125	96.453.60D0.6	124
96.452.6034.6	123	96.453.20D4.1	126	96.453.60D3.1	125
96.452.6050.1	121	96.453.20D4.6	126	96.453.60D3.6	125
96.452.6053.1	122	96.453.30B0.1	124	96.453.60D4.1	126
96.452.6054.1	123	96.453.30B0.6	124	96.453.70B0.1	124
96.452.7000.1	121	96.453.30B3.1	125	96.453.70B0.6	124
96.452.7000.6	121	96.453.30B3.6	125	96.453.70B3.1	125
96.452.7003.1	122	96.453.30B4.1	126	96.453.70B4.1	126
96.452.7003.6	122	96.453.30B4.6	126	96.453.70C0.1	124
96.452.7004.1	123	96.453.30C0.1	124	96.453.70C0.6	124
96.452.7004.6	123	96.453.30C0.6	124	96.453.70C3.1	125
96.452.7030.1	121	96.453.30C3.1	125	96.453.70C4.1	126
96.452.7030.6	121	96.453.30C3.6	125	96.453.70D0.1	124
96.452.7033.1	122	96.453.30C4.1	126	96.453.70D0.6	124
96.452.7033.6	122	96.453.30C4.6	126	96.453.70D3.1	125
96.452.7034.1	123	96.453.30D0.1	124	96.453.70D4.1	126
96.452.7034.6	123	96.453.30D0.6	124	96.453.80B0.1	124
96.452.7050.1	121	96.453.30D3.1	125	96.453.80B0.6	124
96.452.7053.1	122	96.453.30D3.6	125	96.453.80B3.1	125
96.452.7054.1	123	96.453.30D4.1	126	96.453.80B3.6	125
96.452.8000.1	121	96.453.30D4.6	126	96.453.80B4.1	126
96.452.8000.6	121	96.453.40B0.1	124	96.453.80C0.1	124
96.452.8003.1	122	96.453.40B0.6	124	96.453.80C0.6	124
96.452.8003.6	122	96.453.40B3.1	125	96.453.80C3.1	125
96.452.8004.1	123	96.453.40B3.6	125	96.453.80C3.6	125
96.452.8004.6	123	96.453.40B4.1	126	96.453.80C4.1	126
96.452.8030.1	121	96.453.40B4.6	126	96.453.80D0.1	126
96.452.8030.6	121	96.453.40C0.1	124	96.453.80D0.6	124
96.452.8033.1	122	96.453.40C0.6	124	96.453.80D3.1	125
96.452.8033.6	122	96.453.40C3.1	125	96.453.80D3.6	125
96.452.8034.1	123	96.453.40C3.6	125	96.453.80D4.1	126
96.452.8034.6	123	96.453.40C4.1	126	96.453.1000.1	124
96.452.8050.1	121	96.453.40C4.6	126	96.453.1000.6	124
96.452.8053.1	122	96.453.40D0.1	124	96.453.1003.1	125
96.452.8054.1	123	96.453.40D0.6	124	96.453.1003.6	125
96.453.10B0.1	124	96.453.40D3.1	125	96.453.1004.1	126
96.453.10B0.6	124	96.453.40D3.6	125	96.453.1004.6	126
96.453.10B3.1	125	96.453.40D4.1	126	96.453.1030.1	124
96.453.10B3.6	125	96.453.40D4.6	126	96.453.1030.6	124
96.453.10B4.1	126	96.453.50B0.1	124	96.453.1033.1	125
96.453.10B4.6	126	96.453.50B0.6	124	96.453.1033.6	125
96.453.10C0.1	124	96.453.50B3.1	125	96.453.1034.1	126

INDEX

PART NUMBER | PAGE

96.453.1034.6	126	96.453.6004.1	126	96.454.3003.6	127
96.453.1050.1	124	96.453.6004.6	126	96.454.3004.1	128
96.453.1053.1	125	96.453.6030.1	124	96.454.3004.6	128
96.453.1054.1	126	96.453.6030.6	124	96.454.3030.1	127
96.453.2000.1	124	96.453.6033.1	125	96.454.3030.6	127
96.453.2000.6	124	96.453.6033.6	125	96.454.3033.1	127
96.453.2003.1	125	96.453.6034.1	126	96.454.3033.6	127
96.453.2003.6	125	96.453.6034.6	126	96.454.3034.1	128
96.453.2004.1	126	96.453.6050.1	124	96.454.3034.6	128
96.453.2004.6	126	96.453.6053.1	125	96.454.4000.1	127
96.453.2030.1	124	96.453.6054.1	126	96.454.4000.6	127
96.453.2030.6	124	96.453.7000.1	124	96.454.4003.1	127
96.453.2033.1	125	96.453.7000.6	124	96.454.4003.6	127
96.453.2033.6	125	96.453.7003.1	125	96.454.4004.1	128
96.453.2034.1	126	96.453.7003.6	125	96.454.4004.6	128
96.453.2034.6	126	96.453.7004.1	126	96.454.4030.1	127
96.453.2050.1	124	96.453.7004.6	126	96.454.4030.6	127
96.453.2053.1	125	96.453.7030.1	124	96.454.4033.1	127
96.453.2054.1	126	96.453.7030.6	124	96.454.4033.6	127
96.453.3000.1	124	96.453.7033.1	125	96.454.4034.1	128
96.453.3000.6	124	96.453.7033.6	125	96.454.4034.6	128
96.453.3003.1	125	96.453.7034.1	126	96.454.5000.1	127
96.453.3003.6	125	96.453.7034.6	126	96.454.5000.6	127
96.453.3004.1	126	96.453.7050.1	124	96.454.5003.1	127
96.453.3004.6	126	96.453.7053.1	125	96.454.5003.6	127
96.453.3030.1	124	96.453.7054.1	126	96.454.5004.1	128
96.453.3030.6	124	96.453.8000.1	124	96.454.5004.6	128
96.453.3033.1	125	96.453.8000.6	124	96.454.5030.1	127
96.453.3033.6	125	96.453.8003.1	125	96.454.5030.6	127
96.453.3034.1	126	96.453.8003.6	125	96.454.5033.1	127
96.453.3034.6	126	96.453.8004.1	126	96.454.5033.6	127
96.453.3050.1	124	96.453.8004.6	126	96.454.5034.1	128
96.453.3053.1	125	96.453.8030.1	124	96.454.5034.6	128
96.453.3054.1	126	96.453.8030.6	124	96.454.6000.1	127
96.453.4000.1	124	96.453.8033.1	125	96.454.6000.6	127
96.453.4000.6	124	96.453.8033.6	125	96.454.6003.1	127
96.453.4003.1	125	96.453.8034.1	126	96.454.6003.6	127
96.453.4003.6	125	96.453.8034.6	126	96.454.6004.1	128
96.453.4004.1	126	96.453.8050.1	124	96.454.6004.6	128
96.453.4004.6	126	96.453.8053.1	125	96.454.6030.1	127
96.453.4030.1	124	96.453.8054.1	126	96.454.6030.6	127
96.453.4030.6	124	96.454.1000.1	127	96.454.6033.1	127
96.453.4033.1	125	96.454.1000.6	127	96.454.6033.6	127
96.453.4033.6	125	96.454.1003.1	127	96.454.6034.1	128
96.453.4034.1	126	96.454.1003.6	127	96.454.6034.6	128
96.453.4034.6	126	96.454.1004.1	128	96.454.7000.1	127
96.453.4050.1	124	96.454.1004.6	128	96.454.7000.6	127
96.453.4053.1	125	96.454.1030.1	127	96.454.7003.1	127
96.453.4054.1	126	96.454.1030.6	127	96.454.7003.6	127
96.453.5000.1	124	96.454.1033.1	127	96.454.7004.1	128
96.453.5000.6	124	96.454.1033.6	127	96.454.7004.6	128
96.453.5003.1	125	96.454.1034.1	128	96.454.7030.1	127
96.453.5003.6	125	96.454.1034.6	128	96.454.7030.6	127
96.453.5004.1	126	96.454.2000.1	127	96.454.7033.1	127
96.453.5004.6	126	96.454.2000.6	127	96.454.7033.6	127
96.453.5030.1	124	96.454.2003.1	127	96.454.7034.1	128
96.453.5030.6	124	96.454.2003.6	127	96.454.7034.6	128
96.453.5033.1	125	96.454.2004.1	128	96.454.8000.1	127
96.453.5033.6	125	96.454.2004.6	128	96.454.8000.6	127
96.453.5034.1	126	96.454.2030.1	127	96.454.8003.1	127
96.453.5034.6	126	96.454.2030.6	127	96.454.8003.6	127
96.453.5050.1	124	96.454.2033.1	127	96.454.8004.1	128
96.453.5053.1	125	96.454.2033.6	127	96.454.8004.6	128
96.453.5054.1	126	96.454.2034.1	128	96.454.8030.1	127
96.453.6000.1	124	96.454.2034.6	128	96.454.8030.6	127
96.453.6000.6	124	96.454.3000.1	127	96.454.8033.1	127
96.453.6003.1	125	96.454.3000.6	127	96.454.8033.6	127
96.453.6003.6	125	96.454.3003.1	127	96.454.8034.1	128



INDEX

PART NUMBER | PAGE

96.454.8034.6	128	99.413.6205.2	168	99.988.0000.7	75
96.834.1000.3	158	99.414.6205.2	168	X6.021.0050.8*	179
96.834.1003.3	158	99.415.6205.2	168	X6.021.0051.4*	179
96.834.1004.3	159	99.416.6205.2	168	X6.021.0053.0*	179
96.834.1030.3	158	99.429.0000.0	174	X6.021.0053.1*	179
96.834.1033.3	158	99.430.0000.0	174	X6.021.0150.8*	179
96.834.1034.3	159	99.431.0000.0	173	X6.021.0151.4*	179
96.834.2000.3	158	99.436.0000.1	26	X6.021.0153.0*	179
96.834.2003.3	158	99.438.0000.1	63	X6.021.0153.1*	179
96.834.2004.3	159	99.439.0000.1	174	X6.021.1051.4*	181
96.834.2030.3	158	99.441.0000.1	63	X6.021.1053.0*	181
96.834.2033.3	158	99.506.0000.7	78	X6.021.1053.1*	181
96.834.2034.3	159	99.507.0000.7	78	X6.021.2051.4*	180
96.834.3000.3	158	99.508.0000.7	78	X6.021.2053.0*	180
96.834.3003.3	158	99.511.0000.7	78	X6.021.2053.1*	180
96.834.3004.3	159	99.513.0000.7	98	X6.021.4050.8	178
96.834.3030.3	158	99.514.0000.7	98	X6.021.4051.4	178
96.834.3033.3	158	99.515.0000.7	98	X6.021.4053.0	178
96.834.3034.3	159	99.516.0000.7	98	X6.021.4053.1	178
96.834.4000.3	158	99.517.0000.7	98	X6.021.4150.8	178
96.834.4003.3	158	99.518.0000.7	98	X6.021.4151.4	178
96.834.4004.3	159	99.529.0000.7	168	X6.021.4153.0	178
96.834.4030.3	158	99.530.0000.7	168	X6.021.4153.1	178
96.834.4033.3	158	99.531.0000.7	168	X6.021.4250.8	178
96.834.4034.3	159	99.532.0000.7	168	X6.021.4251.4	178
96.854.1000.3	165	99.533.0000.7	98	X6.021.4253.0	178
96.854.1003.3	165	99.534.0000.7	78	X6.021.4253.1	178
96.854.1004.3	166	99.535.0000.7	98	X6.021.4350.8	178
96.854.1030.3	165	99.537.0000.7	173	X6.021.4351.4	178
96.854.1033.3	165	99.575.0000.7	160	X6.021.4353.0	178
96.854.1034.3	166	99.576.0000.7	160	X6.021.4353.1	178
96.854.2000.3	165	99.577.0000.7	164	X6.021.5051.4	181
96.854.2003.3	165	99.578.0000.7	164	X6.021.5053.0	181
96.854.2004.3	166	99.584.0000.7*	161	X6.021.5053.1	181
96.854.2030.3	165	99.585.0000.7*	161	X6.021.6051.4	180
96.854.2033.3	165	99.589.0000.7	169	X6.021.6053.0	180
96.854.2034.3	166	99.591.0000.7	169	X6.021.6053.1	180
96.854.3000.3	165	99.592.0000.7	68	X6.022.0050.8*	179
96.854.3003.3	165	99.593.0000.7	68	X6.022.0051.4*	179
96.854.3004.3	166	99.594.0000.7	82	X6.022.0053.0*	179
96.854.3030.3	165	99.606.0000.8	93	X6.022.0053.1*	179
96.854.3033.3	165	99.628.0000.0	202	X6.022.0150.8*	179
96.854.3034.3	166	99.663.0000.0	174	X6.022.0151.4*	179
96.854.4000.3	165	99.664.0000.0	174	X6.022.0153.0*	179
96.854.4003.3	165	99.675.0000.0	63	X6.022.0153.1*	179
96.854.4004.3	166	99.688.0000.0	64	X6.022.1051.4*	181
96.854.4030.3	165	99.700.0000.8	45	X6.022.1053.0*	181
96.854.4033.3	165	99.701.0000.8	45	X6.022.1053.1*	181
96.854.4034.3	166	99.705.0000.8	45	X6.022.2051.4*	180
97.041.4053.1	198	99.706.0000.8	45	X6.022.2053.0*	180
97.041.4253.1	198	99.707.0000.8	45	X6.022.2053.1*	180
97.041.5053.1	199	99.708.0000.8	45	X6.022.4050.8	178
97.041.5553.1	199	99.709.0000.8	45	X6.022.4051.4	178
97.042.4053.1	198	99.710.0000.8	45	X6.022.4053.0	178
97.042.4253.1	198	99.712.0000.7	97	X6.022.4053.1	178
97.042.5053.1	199	99.713.0000.7	97	X6.022.4150.8	178
97.042.5553.1	199	99.714.0000.7	97	X6.022.4151.4	178
97.051.4053.1	200	99.715.0000.7	97	X6.022.4153.0	178
97.051.4253.1	200	99.716.0000.7	97	X6.022.4153.1	178
97.051.5053.1	201	99.717.0000.7	97	X6.022.5051.4	181
97.051.5553.1	201	99.718.0000.7	97	X6.022.5053.0	181
97.052.4053.1	200	99.719.0000.7	97	X6.022.5053.1	181
97.052.4253.1	200	99.902.0000.7	120	X6.022.6051.4	180
97.052.5053.1	201	99.906.0000.7	93	X6.022.6053.0	180
97.052.5553.1	201	99.910.0000.7	75	X6.022.6053.1	180
99.000.9950.6	169	99.911.0000.7	108	X6.030.0153.1	186
99.400.9999.7	173	99.929.0000.7	93	X6.031.0051.4*	183
99.404.9999.7	173	99.946.0000.7	75	X6.031.0053.0*	183

INDEX

PART NUMBER | PAGE

X6.031.0053.1*	183	X6.032.4151.4	182	X6.052.5053.0	194
X6.031.0053.9*	183	X6.032.4153.0	182	X6.052.5053.1	194
X6.031.0055.7*	183	X6.032.4153.1	182	X6.052.5053.6	194
X6.031.0151.4*	183	X6.032.4153.9	182	X6.052.5053.9	194
X6.031.0153.0*	183	X6.032.4155.7	182	X6.052.6051.4	193
X6.031.0153.1*	183	X6.032.4553.1	182	X6.052.6053.0	193
X6.031.0153.9*	183	X6.032.5051.4	185	X6.052.6053.1	193
X6.031.0155.7*	183	X6.032.5053.0	185	X6.052.6053.6	193
X6.031.1051.4*	185	X6.032.5053.1	185	X6.052.6253.6	194
X6.031.1053.0*	185	X6.032.5055.7	185	X6.053.6053.1	193
X6.031.1053.1*	185	X6.032.6051.4	184	Z5.564.4500.1	169
X6.031.1055.7*	185	X6.032.6053.0	184	Z5.564.4553.0	168
X6.031.2051.4*	184	X6.032.6053.1	184	Z5.564.4553.1	168
X6.031.2053.0*	184	X6.032.6055.7	184	Z5.565.9853.0	168
X6.031.2053.1*	184	X6.033.4053.1	182	Z5.565.9853.1	168
X6.031.2055.7*	184	X6.033.6253.1	185	Z5.567.5653.0	202
X6.031.4051.4	182	X6.034.6253.1	185	Z5.569.5253.1	169
X6.031.4053.0	182	X6.041.4053.0	188	Z5.569.5353.1	169
X6.031.4053.1	182	X6.041.4053.1	188		
X6.031.4053.9	182	X6.041.4153.0	188		
X6.031.4055.7	182	X6.041.4153.1	188		
X6.031.4151.4	182	X6.041.5051.4	190		
X6.031.4153.0	182	X6.041.5053.0	190		
X6.031.4153.1	182	X6.041.5053.1	190		
X6.031.4153.9	182	X6.041.6053.0	189		
X6.031.4155.7	182	X6.041.6053.1	189		
X6.031.4251.4	182	X6.042.4053.0	188		
X6.031.4253.0	182	X6.042.4053.1	188		
X6.031.4253.1	182	X6.042.4153.0	188		
X6.031.4253.9	182	X6.042.4153.1	188		
X6.031.4255.7	182	X6.042.5051.4	190		
X6.031.4351.4	182	X6.042.5053.0	190		
X6.031.4353.0	182	X6.042.5053.1	190		
X6.031.4353.1	182	X6.042.6053.0	189		
X6.031.4353.9	182	X6.042.6053.1	189		
X6.031.4355.7	182	X6.051.4051.4	192		
X6.031.4553.1	182	X6.051.4053.0	192		
X6.031.5051.4	185	X6.051.4053.1	192		
X6.031.5053.0	185	X6.051.4053.6	192		
X6.031.5053.1	185	X6.051.4053.9	192		
X6.031.5055.7	185	X6.051.4151.4	192		
X6.031.6051.4	184	X6.051.4153.0	192		
X6.031.6053.0	184	X6.051.4153.1	192		
X6.031.6053.1	184	X6.051.4153.6	192		
X6.031.6055.7	184	X6.051.4153.9	192		
X6.032.0051.4*	183	X6.051.4353.0	192		
X6.032.0053.0*	183	X6.051.4553.1	192		
X6.032.0053.1*	183	X6.051.5051.4	194		
X6.032.0053.9*	183	X6.051.5053.0	194		
X6.032.0055.7*	183	X6.051.5053.1	194		
X6.032.0151.4*	183	X6.051.5053.6	194		
X6.032.0153.0*	183	X6.051.5053.9	194		
X6.032.0153.1*	183	X6.051.6051.4	193		
X6.032.0153.9*	183	X6.051.6053.0	193		
X6.032.0155.7*	183	X6.051.6053.1	193		
X6.032.1051.4*	185	X6.051.6053.6	193		
X6.032.1053.0*	185	X6.052.4051.4	192		
X6.032.1053.1*	185	X6.052.4053.0	192		
X6.032.1055.7*	185	X6.052.4053.1	192		
X6.032.2051.4*	184	X6.052.4053.6	192		
X6.032.2053.0*	184	X6.052.4053.9	192		
X6.032.2053.1*	184	X6.052.4151.4	192		
X6.032.2055.7*	184	X6.052.4153.0	192		
X6.032.4051.4	182	X6.052.4153.1	192		
X6.032.4053.0	182	X6.052.4153.6	192		
X6.032.4053.1	182	X6.052.4153.9	192		
X6.032.4053.9	182	X6.052.4553.1	192		
X6.032.4055.7	182	X6.052.5051.4	194		



OUR **SECTOR KNOWLEDGE.**

We have developed special industry knowledge in a wide variety of specialized fields. This forms the basis of our successful solutions.



Building installation



Heating, ventilation and air conditioning systems



Light technology



Machine and system construction



Conveying technology



Regenerative Energies

OUR **SOLUTIONS RANGE**

for pluggable electrical installation.



gesis® NRG flat cable for energy distribution and lighting control



GST15 and GST18® Pluggable electrical installation for indoor applications



podis® Powerbus Decentralized energy distribution



RST® MICRO, MINI, CLASSIC Pluggable electrical installation for outdoor applications



gesis® Pluggable system components



System distributors, distribution boxes

INFO TO GO.

All brochures from Wieland Electric are available for download on our website.



<https://www.wieland-electric.com/en/support/downloads>

Interesting for you

RST® ROUND CONNECTOR SYSTEM

Solutions + Applications
in highest IP protection class.

Part No. 0699.1



RST® MICRO

The innovative plug connector for lighting technology and industrial environments.

Part No. 0697.1



RST® INSTALLATION NOTES

Electrical installation instructions for outdoor areas.

Bestell-Nr. 0693.1



Wieland @YouTube

See our solutions
in motion



<https://www.youtube.com/user/WielandElectric>



Technical consultation

Building Solutions

E-mail: building@wieland-electric.com

Worldwide: <https://wie.li/contactinternational>



ONLY ONE TAP AWAY.

OUR WIELAND E-SHOP

Over 25,000 products - anytime

In our online store you will find all the information about our products, prices, and technical data.

Order easily and conveniently online, and check availability.

<https://eshop.wieland-electric.com>

Scan QR code –
view products in the
E-SHOP.





wieland

HEADQUARTERS

Wieland Electric GmbH
Brennerstraße 10 – 14
96052 Bamberg · Germany

Phone +49 951 9324-0
Fax +49 951 9324-198
info@wieland-electric.com



0690.1 SCH 04/22

Represented in over 70 countries worldwide:

www.wieland-electric.com