



Rope safety switches



FD1878

FD1883

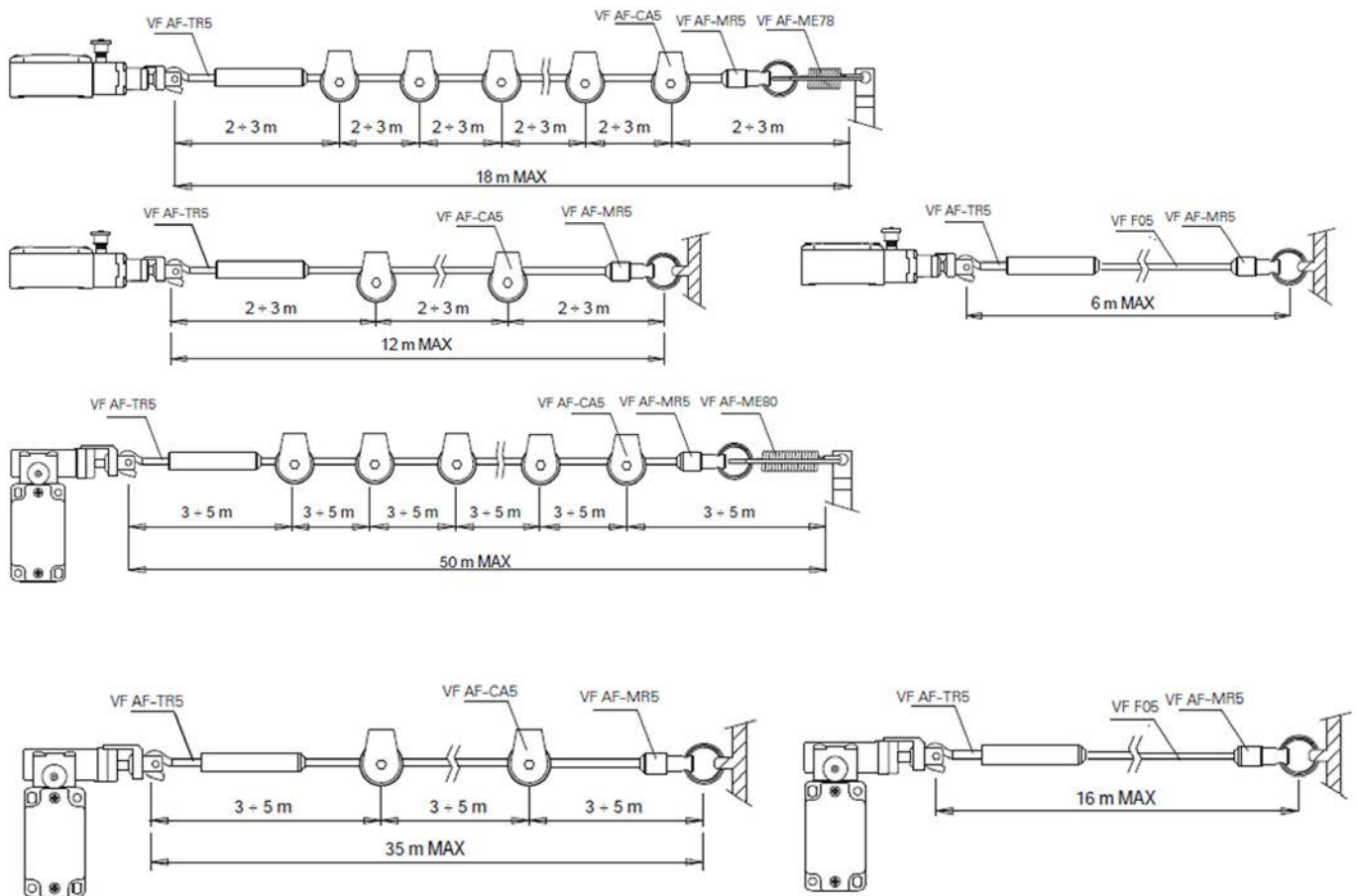
FD1884

Quality marks:



IMQ approval: EG605  
 UL approval: E131787  
 CCC approval: 2020970305002282  
 EAC approval: RU C-IT.YT03.B.00035/19

IP67



Rope installation accessories



Article	VF AF-TR5	VF AF-TR8	VF AF-MR5	VF AF-ME78	VF AF-ME80	VF F05-100	VF AF-IF1GR03	VF AF-CA5	VF AF-CA10
Description	Adjustable stay bolt	Stay bolt	End clamp	Safety spring for longitudinal heads	Safety spring for transversal heads	Ø 5 mm rope 100 m roll	Rope function indicators. Text "STOP"	Pulley	Angular pulley

# Mechatronic safety devices



## NG Series

Safety switches with solenoid and RFID



## ST Series

Safety sensors with RFID



## NS Series

Safety switches with solenoid and RFID



## HX BEE1 Series

Safety hinge switches with electronic contact block



## NG Series

Safety switches with solenoid and RFID



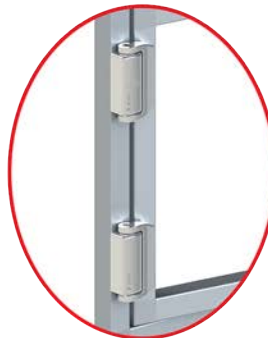
## ST Series

Safety sensors with RFID



## NS Series

Safety switches with solenoid and RFID



## HX BEE1 Series

Safety hinge switches with electronic contact block

