

APPLICATION DATA SHEET





Isolator Check Part No. RL-24i 1kV

The **REMLIVE RL-24i** Isolator Check provides the user with a positive check when isolating plant. It provides electrical isolation between the DIN rail unit and the door mounted display unit. The door unit is designed to fit through the front of a control panel or switch so the user can see a live/isolation status. The super bright **REMLIVE RL-24i** display provides the user with a quick and easy method of proof of isolation in lock out / tag out procedures.



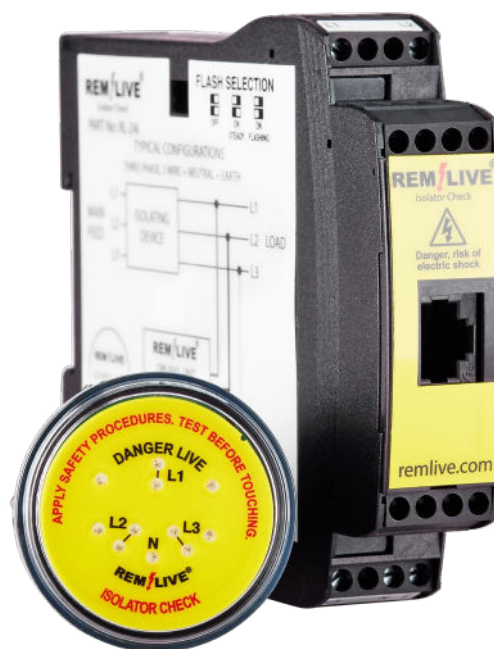
CAUTION, RISK OF ELECTRIC SHOCK

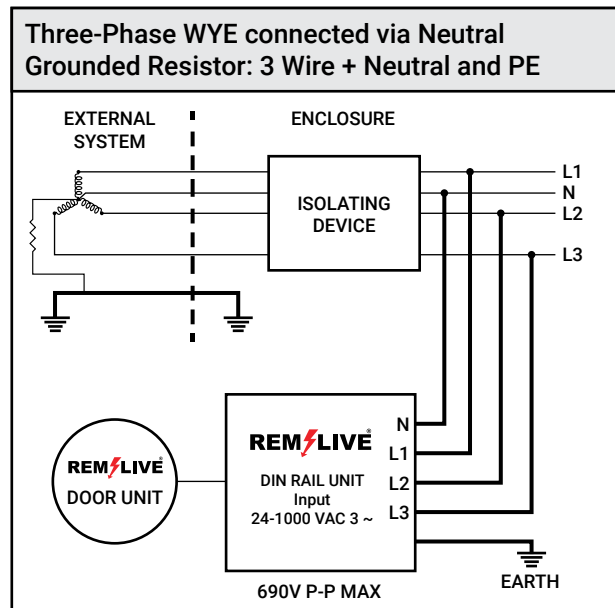
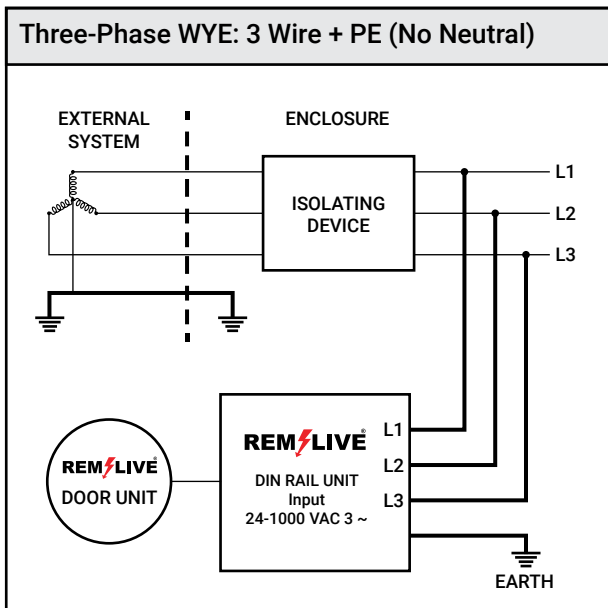
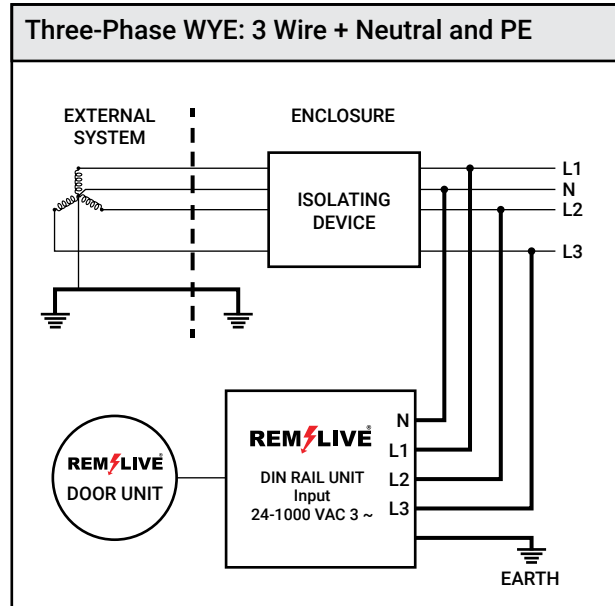
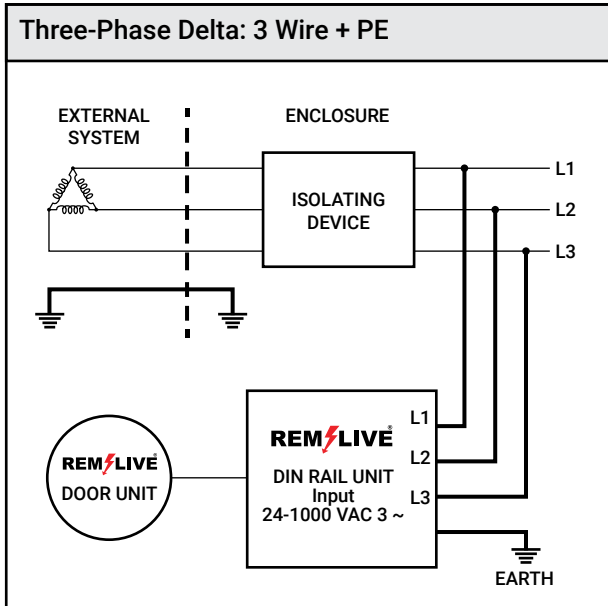
If uncertain about any application or aspect of fitting or operating REMLIVE RL-24i, contact the supplier. No serviceable parts inside, in the event of failure please contact your supplier.

-  **WARNING!** Do not fit **REMLIVE RL-24i** if the units are damaged in any way.
-  **IMPORTANT!** Live equipment can kill. Other safety procedures still apply. Test before touching.
-  **IMPORTANT!** If the equipment is used in a manner not specified by the manufacturer, the protection provided by the equipment may be impaired.
-  **IMPORTANT!** This equipment should be installed by a competent person who is converse with local electrical regulations and standards.

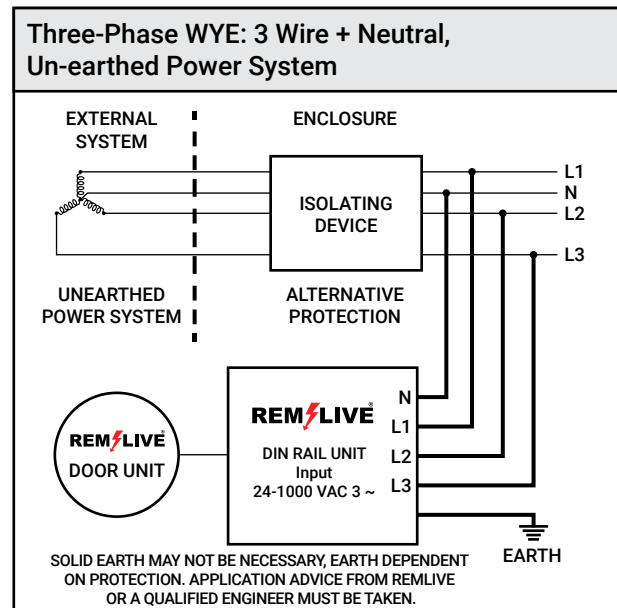
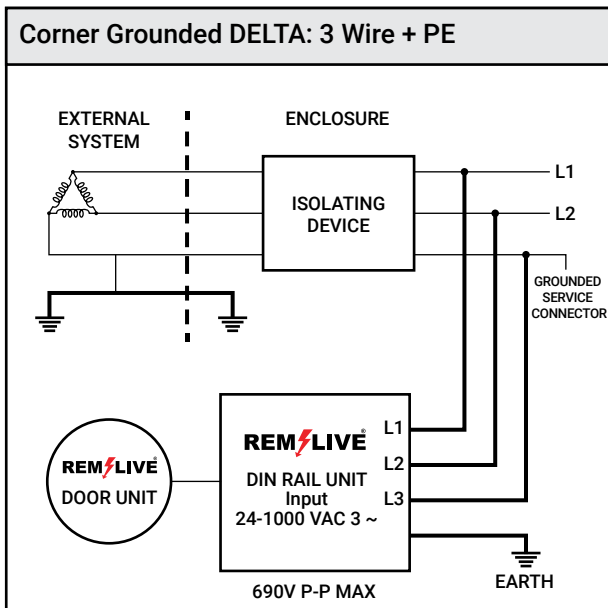
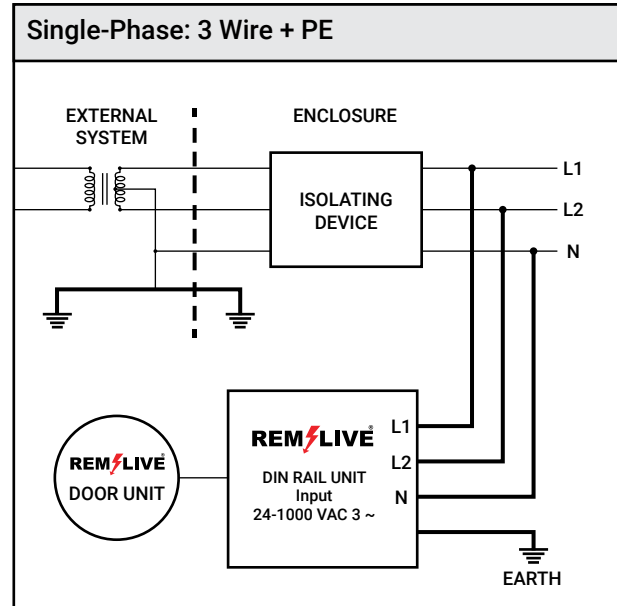
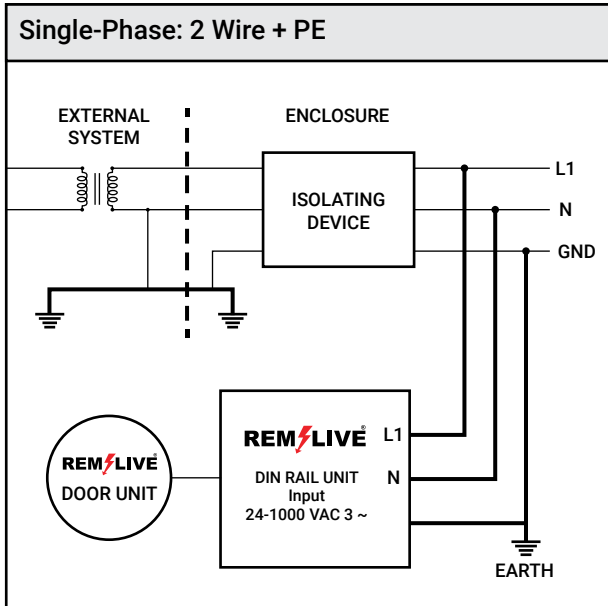
GLOBAL TECHNICAL SUPPORT

Contact us: info@fortress-safety.com
Product FAQ: www.remlive.com/rl-24i-faqs

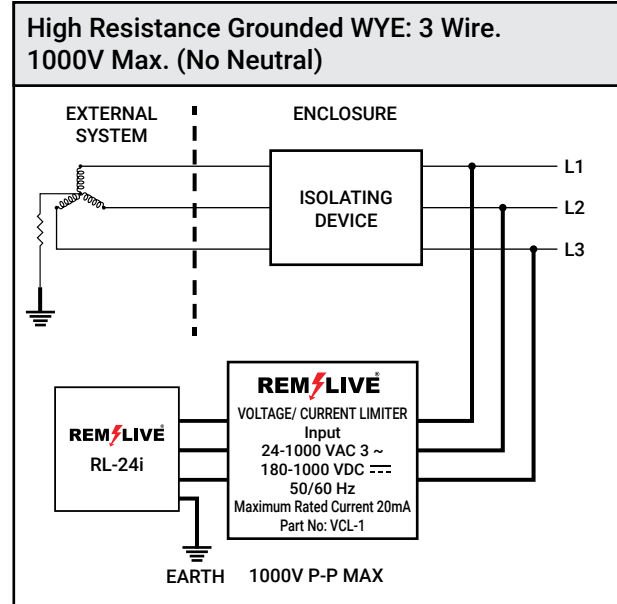
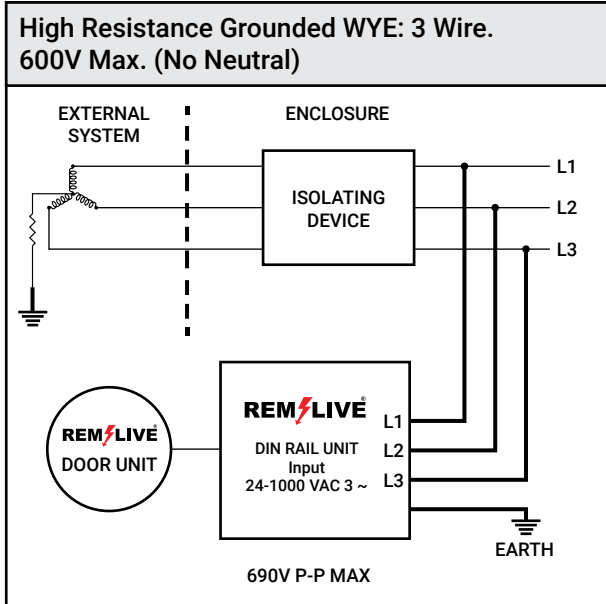




Please refer to the REMLIVE RL-24i Installation Data Sheet as supplied with the product and available on www.remlive.com for full installation details.



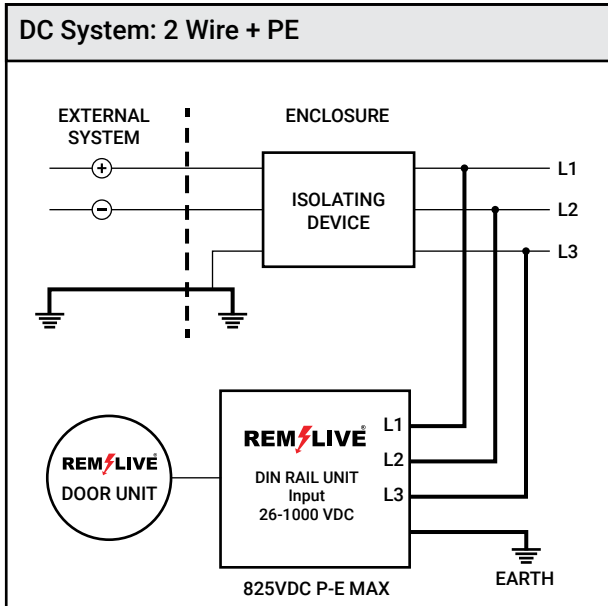
Please refer to the REMLIVE RL-24i Installation Data Sheet as supplied with the product and available on www.remlive.com for full installation details.



Please refer to the REMLIVE RL-24i Installation Data Sheet as supplied with the product and available on www.remlive.com for full installation details.

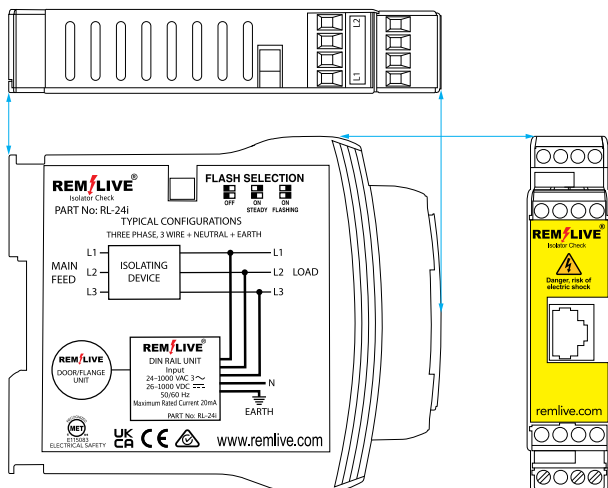
APPLICATION DATA SHEET

Isolator Check Part No. RL-24i 1kV



AC Voltages (50/60Hz) (Continuous)		DC Voltages (Continuous)	
Min	Max	Min	Max
24	1,000	26	1,000

Maximum Rated Current 20mA



NOMINAL VOLTAGE OF INSTALLATION

The REMLIVE RL-24i supports the following configurations. If you have any questions regarding supported voltage configurations, please contact info@fortress-safety.com

VAC – 3 PHASE

Nominal voltage	Voltage L-N	Voltage L-L	OVC
690V	400V	690V	Cat IV
1000V	590V	1000V	Cat III

Note: No single conductor may be more than 625VAC in normal operating conditions.

VDC

Nominal voltage	Voltage P-E max.	OVC
600V	600VDC	Cat IV
1000V	825VDC	Cat III

Note: No single conductor may be more than 825VDC with respect to earth in normal operating conditions.

SURGE / IMPULSE WITHSTAND

(1.2/50, 8/20µs according to IEC 61000-4-5 & IEC 61180-1)

Mode of Impulse	Amplitude (+/-)
Line - Earth	8kV
Line - Neutral	2.4kV
Line - Line	2.4kV

TEMPORARY OVERVOLTAGE

Duration	Voltage	Trise
1s	2000V	30K
5s	1800V	80K
60s	1500V	20K
Indefinite*	1200V	5K

*Note: Permanent operation may impair performance.

Please refer to the REMLIVE RL-24i Installation Data Sheet as supplied with the product and available on www.remlive.com for full installation details.